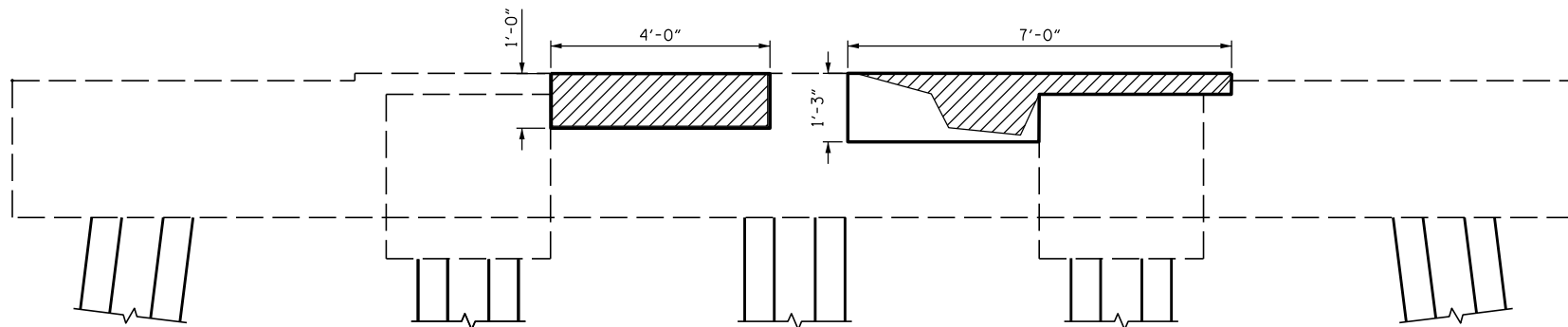
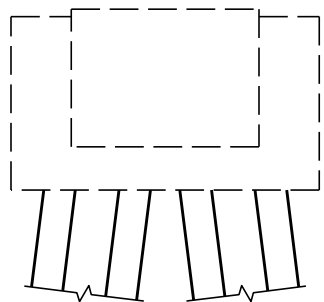


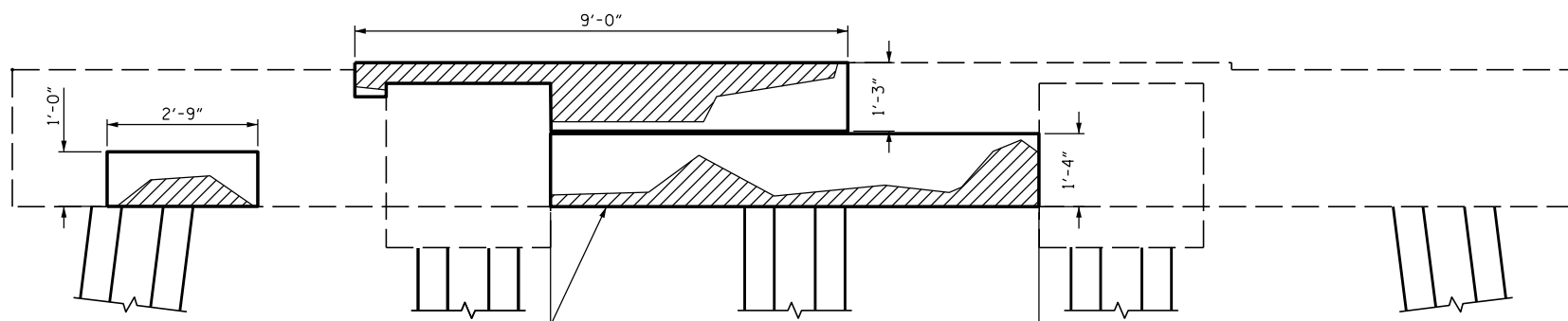
SIDE VIEW
NORTH FACE



ELEVATION
WEST FACE



SIDE VIEW
SOUTH FACE



ELEVATION
EAST FACE



DRAWN BY : J. H. DUKE DATE : 07-16
 CHECKED BY : S. L. CULLUM DATE : 07-16
 DESIGN ENGINEER OF RECORD: S. L. CULLUM DATE : 07-16

*****SYSTEM*****
 *****SDGN*****
 *****USERNAME*****

DocuSigned by:
 Samuel Cullum
 10007095C75A467...

 12/13/2016

PROJECT NO. B-5937
 CURRITUCK/DARE COUNTY
 STATION: BRIDGE NO. 16

| | | | | | | |
|--|-----|-------|-----|-----|-------|--------------|
| STATE OF NORTH CAROLINA DEPARTMENT OF TRANSPORTATION RALEIGH | | | | | | SHEET NO. |
| SUBSTRUCTURE CONC. REPAIR - BENT 36 | | | | | | S-55 |
| REVISIONS | | | | | | TOTAL SHEETS |
| NO. | BY: | DATE: | NO. | BY: | DATE: | |
| 1 | | | 3 | | | |
| 2 | | | 4 | | | |

DOCUMENT NOT CONSIDERED
 FINAL UNLESS ALL
 SIGNATURES COMPLETED