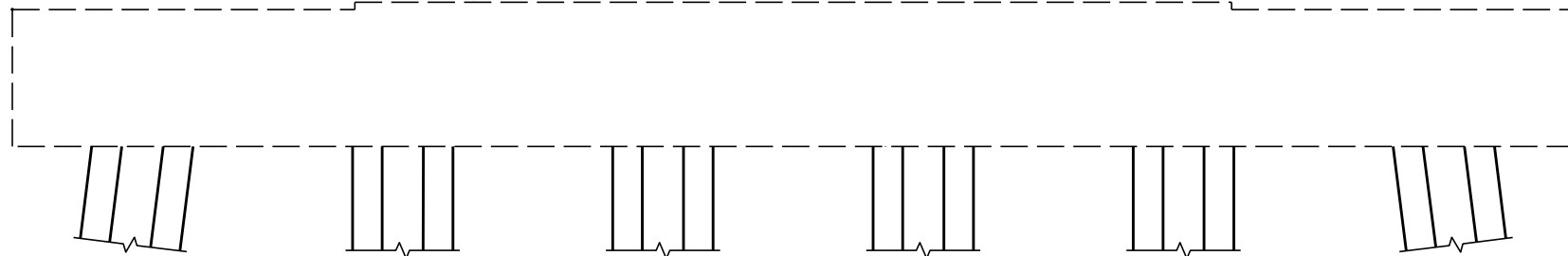
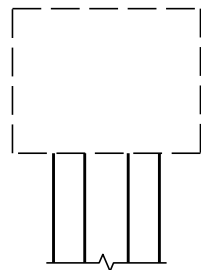


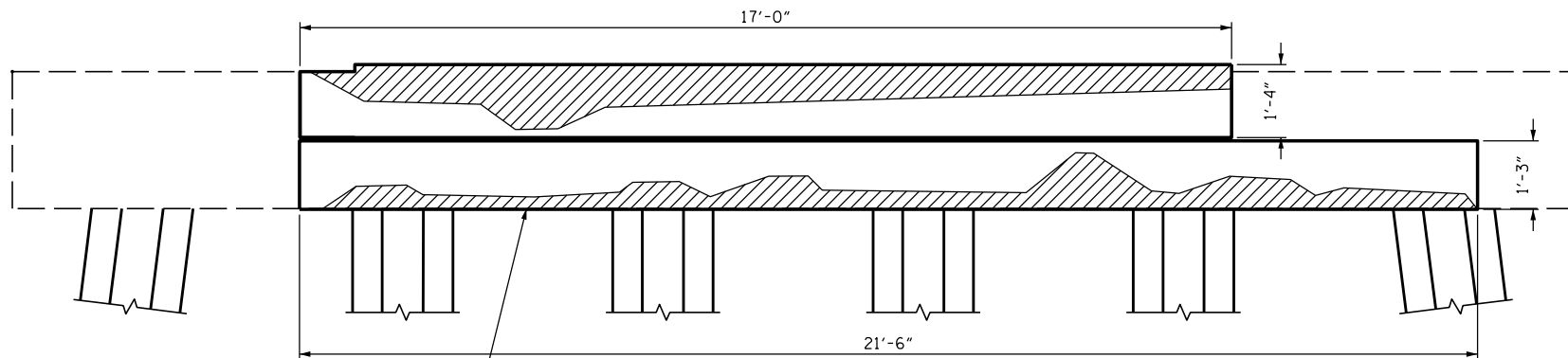
SIDE VIEW  
NORTH FACE



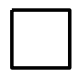
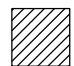
ELEVATION  
WEST FACE



SIDE VIEW  
SOUTH FACE



ELEVATION  
EAST FACE

-  PROPOSED REPAIR AREAS
-  SUBSTRUCTURE SPALL/DELAMINATION

PROJECT NO. B-5937  
CURRITUCK/DARE COUNTY  
 STATION: BRIDGE NO. 16

DocuSigned by:  
*Samuel Cullum*  
 16097695C75A467...



12/13/2016

STATE OF NORTH CAROLINA  
 DEPARTMENT OF TRANSPORTATION  
 RALEIGH

SUBSTRUCTURE CONC.  
 REPAIR - BENT 18

DRAWN BY : J. H. DUKE DATE : 07-16  
 CHECKED BY : S. L. CULLUM DATE : 07-16  
 DESIGN ENGINEER OF RECORD: S. L. CULLUM DATE : 07-16

DOCUMENT NOT CONSIDERED  
 FINAL UNLESS ALL  
 SIGNATURES COMPLETED

REVISIONS						SHEET NO.
NO.	BY:	DATE:	NO.	BY:	DATE:	TOTAL SHEETS
1			3			S-37
2			4			