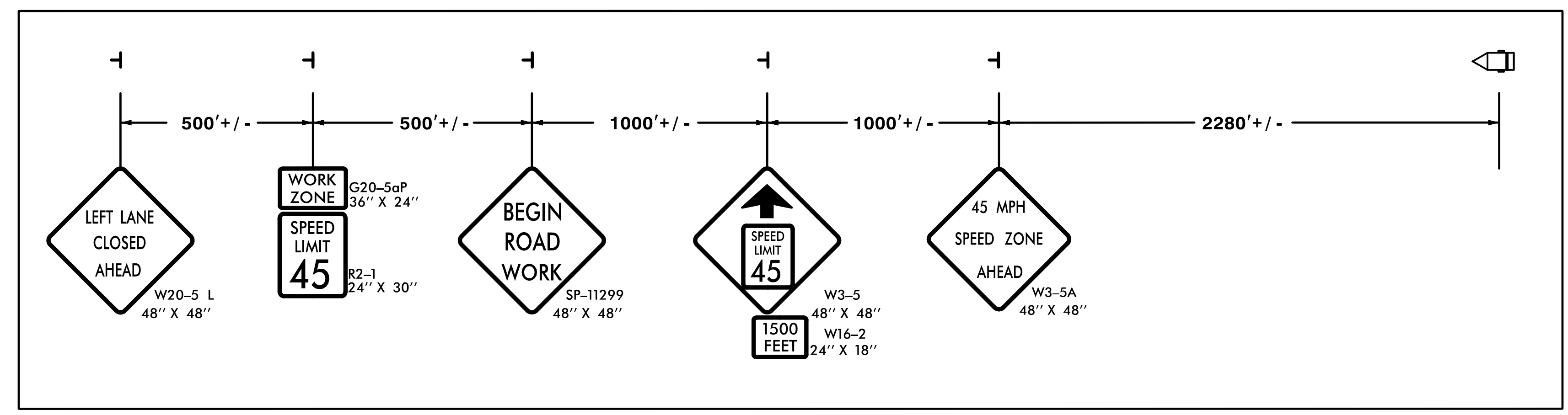


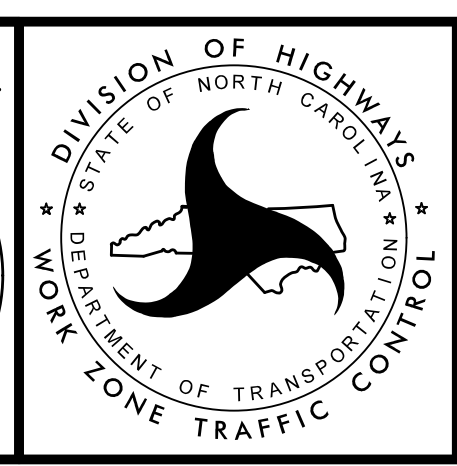
INSET B



NOTE: REMOVE ANY EXISTING PAVEMENT MARKINGS THAT CONFLICT WITH THE TEMPORARY PATTERN SHOWN AS NECESSARY

DOCUMENT NOT CONSIDERED FINAL UNLESS ALL SIGNATURES COMPLETED

APPROVED: *Helen Shyu*
 DATE: 12/14/2016
 SEAL
 NORTH CAROLINA PROFESSIONAL ENGINEER
 SEAL 042517
 HELEN SHYU



TRANSPORTATION MANAGEMENT PLAN
 TRAFFIC CONTROL DETAIL

10:56:06 AM
TCP\B-5937_fc.plt\d6.dgn
HNTB

HNTB
 HNTB NORTH CAROLINA, P.C.
 343 E. SIX FORKS ROAD, SUITE 200
 RALEIGH, NORTH CAROLINA 27609
 NC LICENSE NO: C-1554