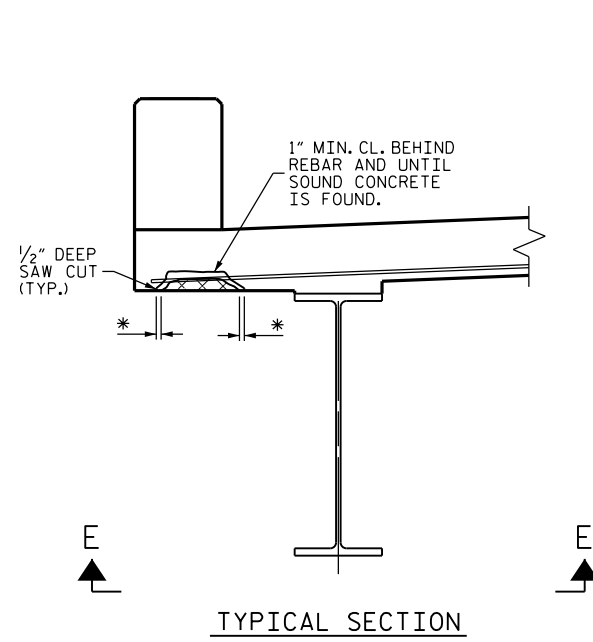
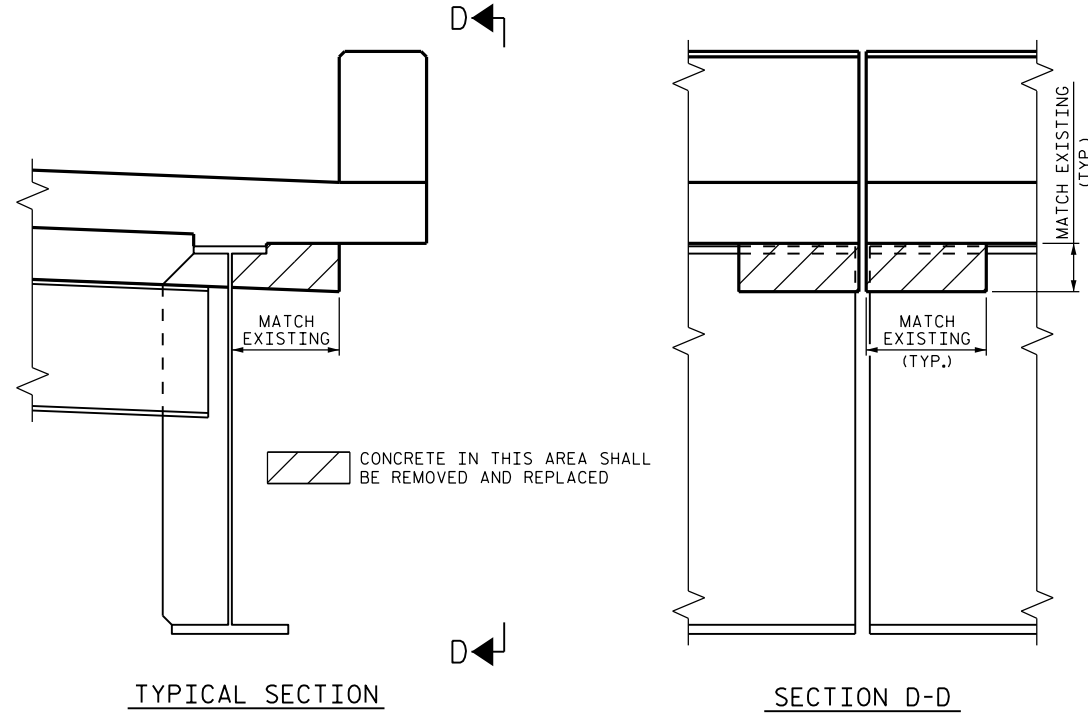


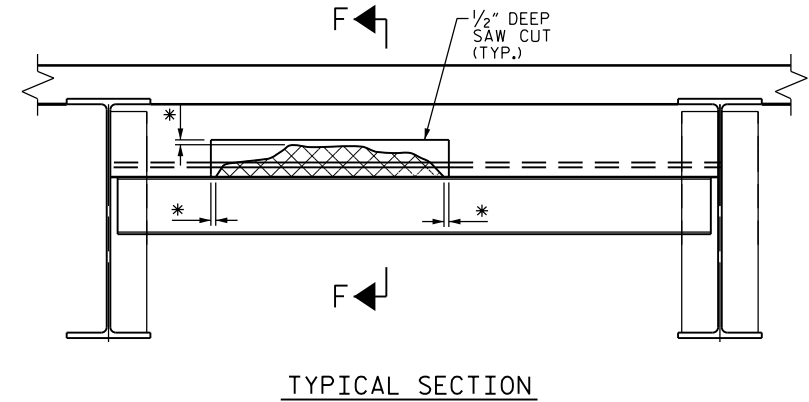
NOTE: OVERHANG DIAPHRAGMS TO BE REMOVED AND REPLACED, ARE SHOWN ON "PLAN OF SPAN" SHEETS. OVERHANG DIAPHRAGMS SHALL BE REMOVED PRIOR TO CLEANING AND PAINTING OF BEAMS AND REPLACED AFTER BEAM REPAIRS AND PAINTING ARE COMPLETE.



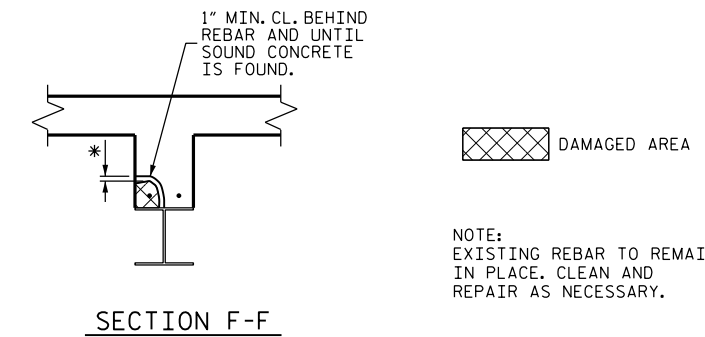
DAMAGED AREA * REMOVE CONCRETE UNTIL SOUND CONCRETE IS FOUND (2" MIN. CL.)



OVERHANG DIAPHRAGM REPLACEMENT DETAILS

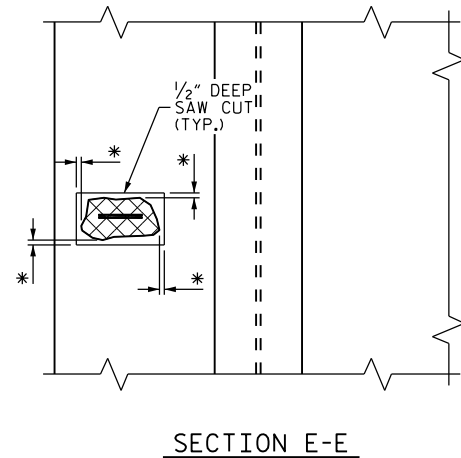


* REMOVE CONCRETE UNTIL SOUND CONCRETE IS FOUND (2" MIN. CL.)

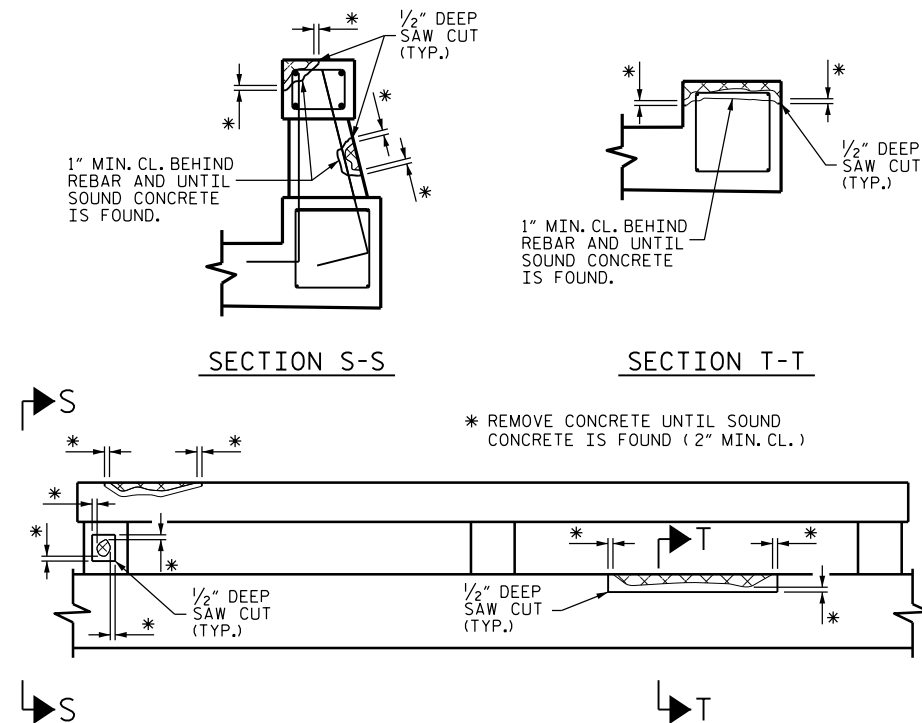


NOTE: EXISTING REBAR TO REMAIN IN PLACE. CLEAN AND REPAIR AS NECESSARY.

INTERIOR DIAPHRAGM REPAIR DETAILS



OVERHANG DETAILS



* REMOVE CONCRETE UNTIL SOUND CONCRETE IS FOUND (2" MIN. CL.)

BRIDGE RAIL AND CURB REPAIR DETAILS

PROJECT NO. I-5892
BUNCOMBE COUNTY
 BRIDGE NO. 412, 415, 421, 422,
429, 827

DocuSigned by:
John A. Yannaccone
 7BC386C8-3848-4000-9000-000000000000
 NORTH CAROLINA
 PROFESSIONAL
 SEAL
 32492
 JOHN A. YANNACCONI
 ENGINEER
 1/21/2017

STATE OF NORTH CAROLINA
 DEPARTMENT OF TRANSPORTATION
 RALEIGH
 OVERHANG, DIAPHRAGM
 AND BRIDGE RAIL
 REPAIR DETAILS

DRAWN BY : C. BRIGHT DATE : 06/16
 CHECKED BY : J. YANNACCONI DATE : 06/16

DOCUMENT NOT CONSIDERED
 FINAL UNLESS ALL
 SIGNATURES COMPLETED

REVISIONS						SHEET NO.
NO.	BY:	DATE:	NO.	BY:	DATE:	S-64
1			3			TOTAL SHEETS
2			4			68