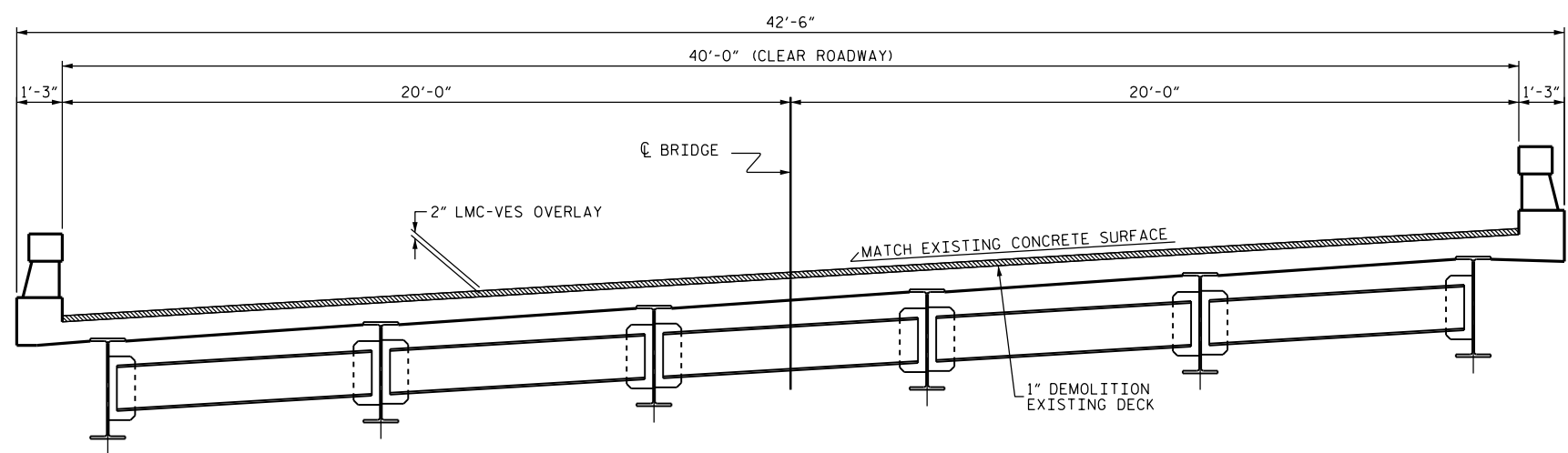


**TYPICAL SECTION**  
(EXISTING)

HORIZONTAL ROADWAY DIMENSIONS ARE RADIAL

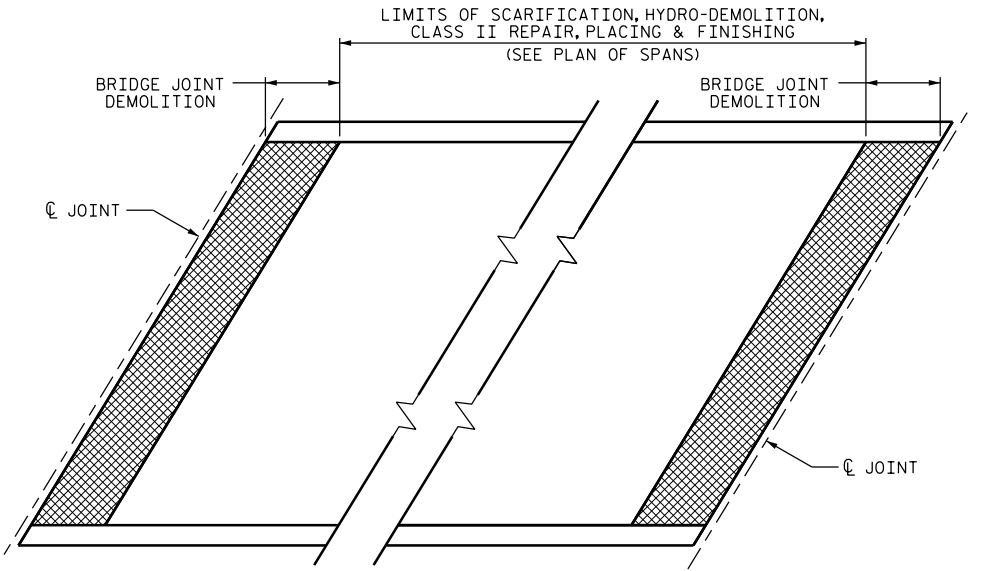


**TYPICAL SECTION**  
(PROPOSED)

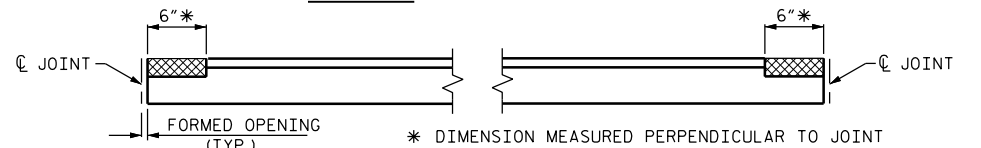
**NOTES**

SEE TRANSPORTATION MANAGEMENT PLANS FOR LANE WIDTHS, SEQUENCING AND OTHER TRAFFIC CONTROL MEASURES FOR STAGING OF OVERLAY SURFACE PREPARATION AND LMS-VES PLACEMENT.

WHEN PREPARING THE SURFACE FOR AN LMC-VES OVERLAY ADJACENT TO A PREVIOUSLY PLACED LMC-VES STAGE, THE PREVIOUSLY PLACED LMC-VES SHALL BE REMOVED FOR A DISTANCE OF 4 INCHES FROM THE EDGE OF THE LMC-VES. THE SURFACE OF THE NEW STAGE AREA, ALONG WITH THE 4 INCH OVERLAY AREA, SHALL BE PREPARED AS PER THE OVERLAY SURFACE PREPARATION SPECIAL PROVISION. NEW LMC-VES SHALL BE PLACED IN THE 4 INCH OVERLAP AS PART OF THE NEW LMC-VES STAGE PLACEMENT.



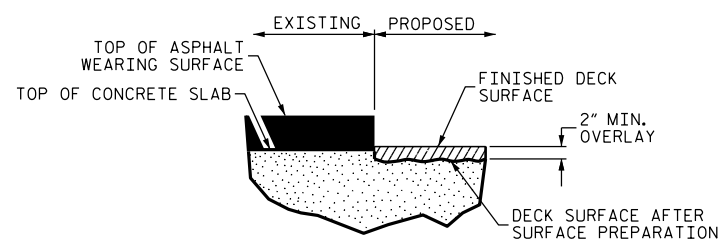
**PLAN**



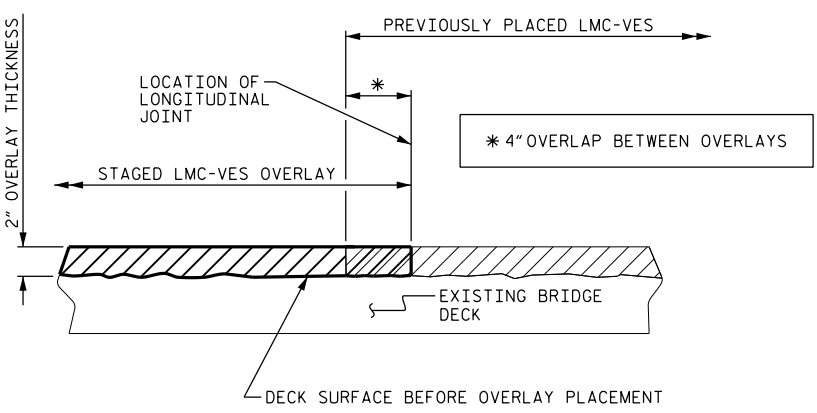
**ELEVATION**

BRIDGE JOINT DEMOLITION

**PAY LIMITS FOR OVERLAY BID ITEMS**



**DETAIL FOR LMC-VES OVERLAY**



**STAGED LMC-VES OVERLAY CONSTRUCTION JOINT**  
(AS NEEDED)

PROJECT NO. I-5892  
BUNCOMBE COUNTY  
BRIDGE NO. 422

DocuSigned by:  
*John A. Yannaccone*  
7BC30000000000000000000000000000  
NORTH CAROLINA  
PROFESSIONAL  
SEAL  
32492  
ENGINEER  
JOHN A. YANNACCONE

1/21/2017

STATE OF NORTH CAROLINA  
DEPARTMENT OF TRANSPORTATION  
RALEIGH  
**TYPICAL SECTION  
AND SURFACE  
PREPARATION DETAILS**

DRAWN BY : CL BRIGHT DATE : 06-16  
CHECKED BY : S. WANCE DATE : 06-16

21-JAN-2017 14:06  
R:\Structures\Final Drawings\Buncombe 422\100422.SD.TS.dgn

DOCUMENT NOT CONSIDERED  
FINAL UNLESS ALL  
SIGNATURES COMPLETED

REVISIONS						SHEET NO.
NO.	BY:	DATE:	NO.	BY:	DATE:	S-29
1			3			TOTAL SHEETS
2			4			68