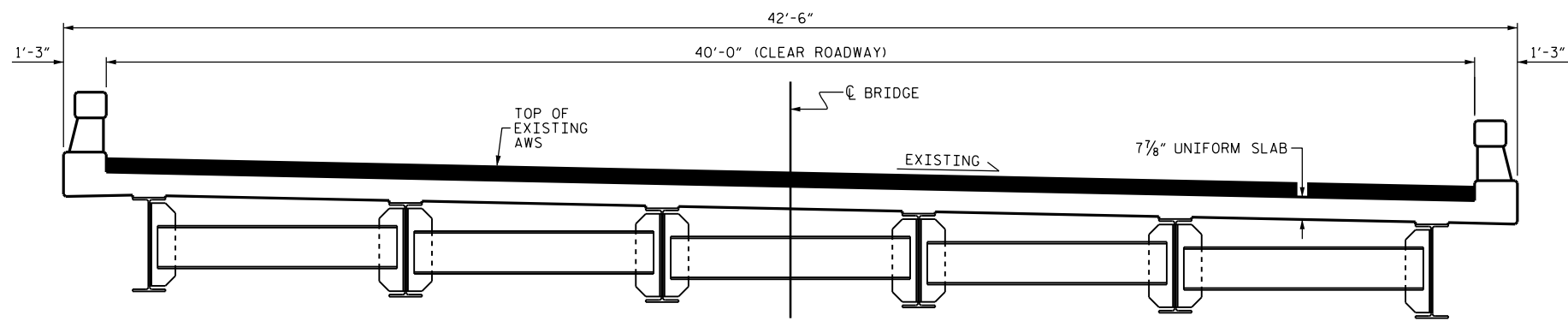


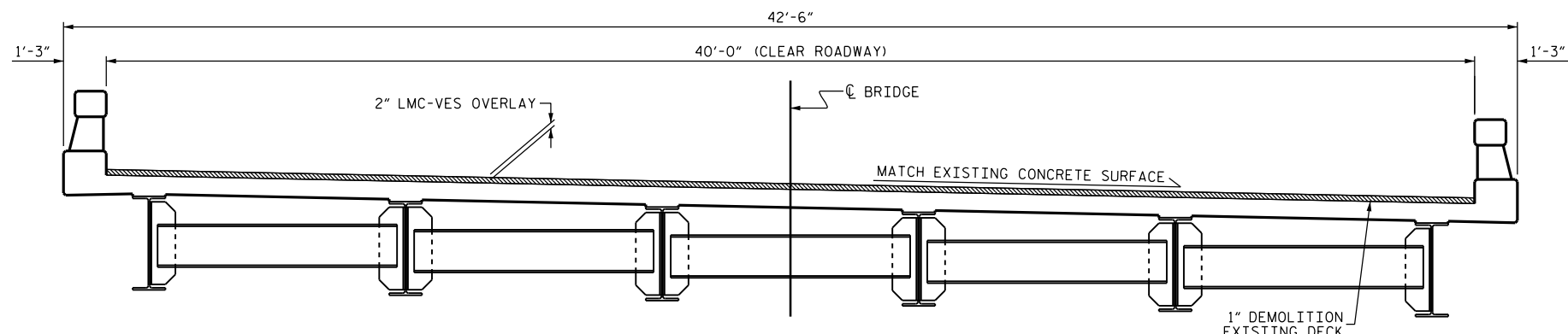
NOTES

SEE TRANSPORTATION MANAGEMENT PLANS FOR LANE WIDTHS, SEQUENCING AND OTHER TRAFFIC CONTROL MEASURES FOR STAGING OF OVERLAY SURFACE PREPARATION AND LMS-VES PLACEMENT.

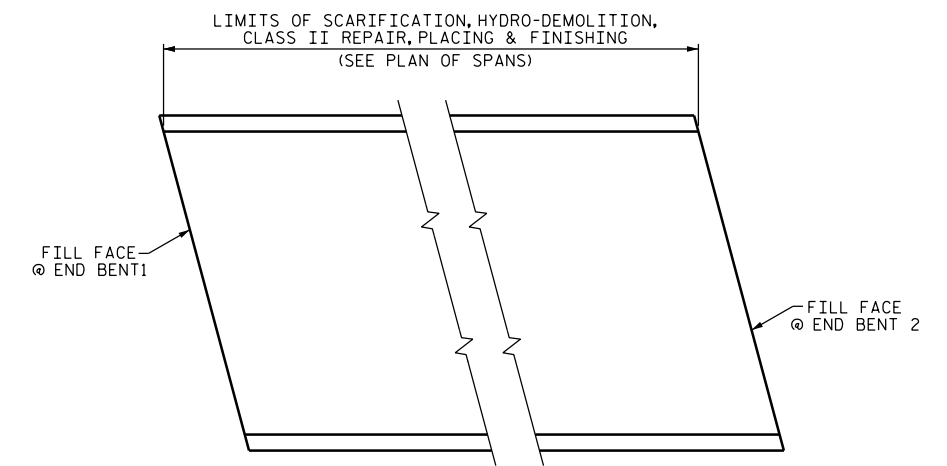
WHEN PREPARING THE SURFACE FOR AN LMC-VES OVERLAY ADJACENT TO A PREVIOUSLY PLACED LMC-VES STAGE, THE PREVIOUSLY PLACED LMC-VES SHALL BE REMOVED FOR A DISTANCE OF 4 INCHES FROM THE EDGE OF THE LMC-VES. THE SURFACE OF THE NEW STAGE AREA, ALONG WITH THE 4 INCH OVERLAY AREA, SHALL BE PREPARED AS PER THE OVERLAY SURFACE PREPARATION SPECIAL PROVISION. NEW LMC-VES SHALL BE PLACED IN THE 4 INCH OVERLAP AS PART OF THE NEW LMC-VES STAGE PLACEMENT.



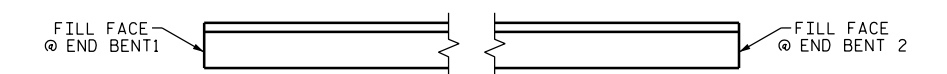
TYPICAL SECTION
(EXISTING)



TYPICAL SECTION
(PROPOSED)

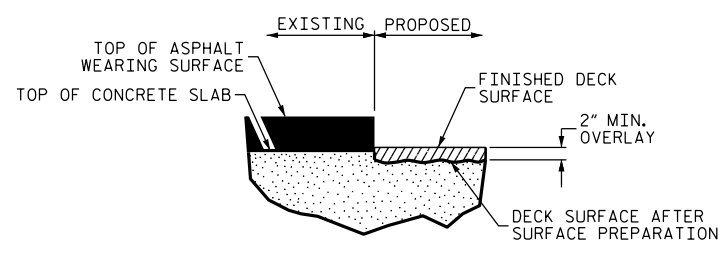


PLAN

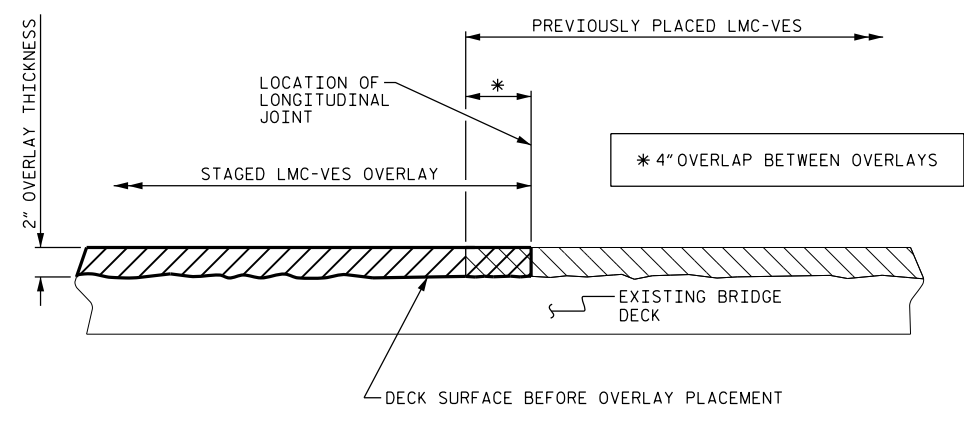


ELEVATION

PAY LIMITS FOR OVERLAY BID ITEMS



DETAIL FOR LMC-VES OVERLAY



STAGED LMC-VES OVERLAY CONSTRUCTION JOINT
(AS NEEDED)

DocuSigned by:
John A. Yannaccone
7BC00E0E-8E02-4000-9000-000000000000
NORTH CAROLINA
PROFESSIONAL
SEAL
32492
ENGINEER
JOHN A. YANNACCONE
1/21/2017

PROJECT NO. I-5892
BUNCOMBE COUNTY
BRIDGE NO. 412

STATE OF NORTH CAROLINA
DEPARTMENT OF TRANSPORTATION
RALEIGH
TYPICAL SECTION AND SURFACE PREPARATION DETAILS

DRAWN BY : R.L. PUTEK DATE : 06/16
CHECKED BY : S. WANCE DATE : 06/16

DOCUMENT NOT CONSIDERED FINAL UNLESS ALL SIGNATURES COMPLETED

REVISIONS						SHEET NO.
NO.	BY:	DATE:	NO.	BY:	DATE:	
1			3			S-4
2			4			TOTAL SHEETS 68