



STATE OF NORTH CAROLINA
DEPARTMENT OF TRANSPORTATION

ROY COOPER
GOVERNOR
March 16, 2017

JAMES H. TROGDON, III
SECRETARY

Addendum No. 3

RE: Contract # C203930
WBS # 46479.3.1
STATE FUNDED
Currituck-Dare Counties (B-5937)
Bridge #16 Over Currituck Sound On US-158 EBL

March 21, 2017 Letting

To Whom It May Concern:

Reference is made to the plans furnished to you on this project.

The following revision has been made to the plans:

Sheet No.	Revisions
S-19	Revised to add a note concerning prestressed girder repair

Please void the above listed sheet in your plans and staple the revised sheet thereto.

The contract will be prepared accordingly.

Sincerely,
DocuSigned by:

J. Andy Gay
1C72C8D1867C48E...

J. Andy Gay, PE
Proposals and Contracts Engineer

JAG/jag

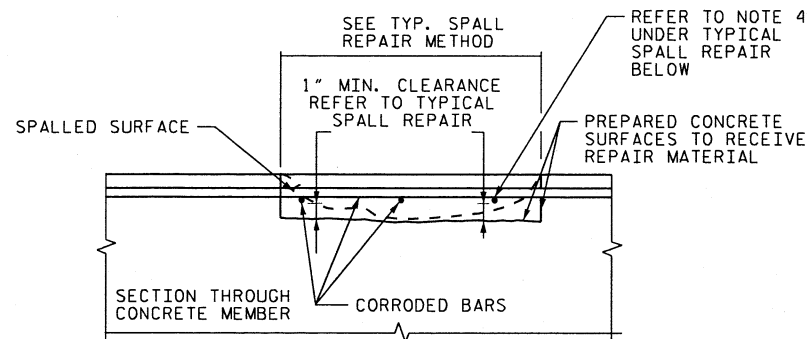
- | | |
|-----------------------------|-------------------------|
| cc: Mr. Lamar Sylvester, PE | Mr. Ray Arnold, PE |
| Mr. Jerry Jennings PE | Ms. Theresa Canales, PE |
| Mr. Rodger Rochelle, PE | Ms. Marsha Sample |
| Mr. R.E. Davenport, PE | Mr. Mike Gwyn |
| Mr. Ken Kennedy, PE | Mr. Mitchell Dixon |
| Ms. Jaci Kincaid | Ms. Penny Higgins |
| Project File (2) | Ms. Lori Strickland |

Mailing Address:
NC DEPARTMENT OF TRANSPORTATION
CONTRACT STANDARDS AND DEVELOPMENT
1591 MAIL SERVICE CENTER
RALEIGH, NC 27699-1591

Telephone: (919) 707-6900
Fax: (919) 250-4127
Customer Service: 1-877-368-4968

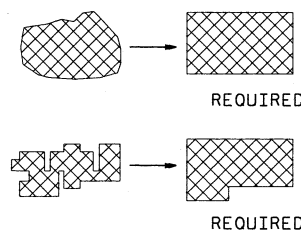
Location:
1020 BIRCH RIDGE DR.
RALEIGH, NC 27610

Website: www.ncdot.gov



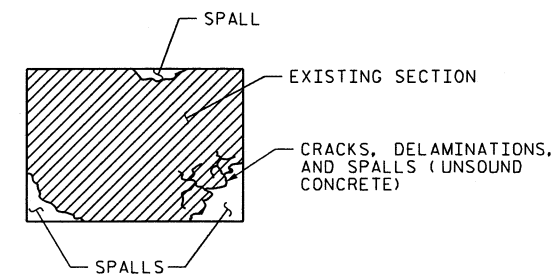
EXPOSING AND UNDERCUTTING REINFORCING STEEL

APPLICABLE TO HORIZONTAL, VERTICAL, AND OVERHEAD LOCATIONS

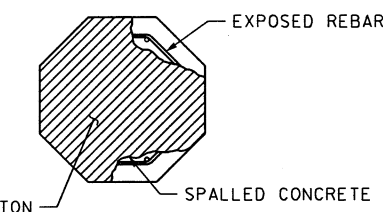


SIMPLE PATCH CONFIGURATION

AT CORNER LOCATIONS PROVIDE RIGHT ANGLE CUTS. PATCH CONFIGURATION SHALL BE KEPT AS SIMPLE AS POSSIBLE. INDIVIDUAL REPAIR AREAS WITHIN 2 FEET SHALL BE JOINED AT THE DIRECTION OF THE ENGINEER.



TYPICAL DELAMINATIONS AND SPALLS



TYPICAL SPALL WITH EXPOSED REBAR

TYPICAL SPALL REPAIR

- FOR CONCRETE RESTORATION, REMOVE AND REPAIR UNSOUND CONCRETE FROM AREAS TO BE REPAIRED IN ACCORDANCE WITH THIS SHEET AND THE PROJECT SPECIAL PROVISIONS. AREAS WELL ADHERED TO EXISTING STRAND OR REINFORCEMENT SHALL REMAIN.
- ALL REPAIRS SHALL BE MARKED FOR APPROVAL OF APPROXIMATE PERIMETER PRIOR TO INITIATION OF WORK.
- THE CONTRACTOR SHALL SUBMIT A PLAN FOR CONTROL AND DISPOSAL OF DEBRIS TO THE ENGINEER FOR APPROVAL.
- ANY REINFORCEMENT WHICH IS LOOSE SHALL BE SECURED IN PLACE BY TYING TO OTHER SECURED BARS OR BY OTHER APPROVED METHODS. LAP SPLICES SHALL BE INSTALLED IN ACCORDANCE WITH THE TABLE. REFER TO GENERAL NOTES FOR DOWEL DETAIL (IF NECESSARY).
- CLEAN EXPOSED REBARS AND ANY LOOSE CONCRETE OR ABRASIVES BY SANDBLASTING OR APPROVED ALTERNATE. CLEANED STEEL SHALL NOT BE LEFT EXPOSED FOR MORE THAN 72 HOURS PRIOR TO ENCAPSULATION OF CONCRETE.
- AN APPROVED CEMENTITIOUS BASED BONDING AGENT SHALL BE USED ON ALL EXPOSED CONCRETE SURFACES IN ACCORDANCE WITH MANUFACTURER'S RECOMMENDATIONS BEFORE THE REPAIR MATERIAL IS APPLIED.
- FILL VOIDS WITH REPAIR MATERIAL IN ACCORDANCE WITH THE PROJECT SPECIAL PROVISIONS AND NCDOT SPECIFICATIONS. NOTE THAT ANY REPAIR MATERIAL APPLIED TO OVERHEAD LOCATIONS SHALL BE SPECIFICALLY DESIGNATED FOR OVERHEAD USE BY THE MANUFACTURER'S SPECIFICATIONS.

LAP SPLICE TABLE	
REBAR SIZE	LAP SPLICE LENGTH
4	1'-9"
5	2'-2"
6	2'-7"
7	3'-6"
8	4'-6"
9	5'-10"
10	7'-4"

TYPICAL CRACK REPAIR METHOD

- OBTAIN ENGINEER'S APPROVAL TO CARRY OUT CRACK REPAIR (IN LIEU OF SPALL REPAIR) FOR CASES WHERE ADJACENT CONCRETE IS OTHERWISE SOUND AND CRACKING IS NOT A RESULT OF CORRODING REINFORCEMENT.
- ADDRESS CRACKS IN NEW CONSTRUCTION IN ACCORDANCE WITH PROJECT SPECIAL PROVISIONS. ADDRESS EXISTING CRACKS IN ACCORDANCE WITH THIS SHEET AND PROJECT SPECIAL PROVISIONS.
- REMOVE UNSOUND CONCRETE FROM CRACK AREA.
- THE CONTRACTOR SHALL SUBMIT A PLAN FOR CONTROL AND DISPOSAL OF DEBRIS TO THE ENGINEER FOR APPROVAL.
- FOR CRACKS UP TO 1/8" USE AN EPOXY RESIN WITH MINIMUMS OF VISCOSITY OF 325 CPS, 28 DAY COMPRESSIVE STRENGTH OF 13000 PSI. FOR CRACKS 1/8" TO 1/4", USE AN INJECTION GEL OR EQUAL NON-SAG PASTE WITH 28 DAY COMPRESSIVE STRENGTH OF 10000 PSI.
- TO SEAL CRACK SURFACES PRIOR TO CRACK INJECTION, USE INJECTION GEL WITH MINIMUM 28 DAY COMPRESSIVE STRENGTH OF 12000 PSI.
- ENGINEER TO APPROVE CRACK AND CAP SEAL MATERIAL PRIOR TO BEGINNING OF CONSTRUCTION.
- APPLY CLASS II FINISH AT COMPLETION OF CRACK REPAIR TO REMOVE FINS OR KNOBS.

CONCRETE REPAIR NOTES

- PERFORM A SOUNDING SURVEY IN THE PRESENCE OF THE ENGINEER TO IDENTIFY ALL LOCATIONS IN NEED OF CONCRETE REPAIR.
- GAIN CONCURRENCE ON ALL REPAIR AREAS AT EACH LOCATION PRIOR TO COMMENCING WORK AT THE BENT.
- THE DETERIORATED AREAS SHOWN ON OTHER PAGES ARE BASED ON INFRARED SURVEYS, BRIDGE INSPECTION REPORT, AND PARTIAL FIELD REVIEWS OF THE STRUCTURE. AS SUCH, THEY ARE FOR INFORMATIONAL PURPOSES AND SUBJECT TO CHANGE BASED ON CONTINUED DETERIORATION.
- GENERALLY EXTEND REPAIR AREAS 2"-3" INTO SOUND CONCRETE BEYOND EDGE OF SPALLS AND SQUARE OFF AREAS IN ACCORDANCE WITH DETAILS ON THIS SHEET.

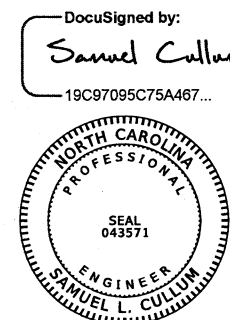
CONCRETE REPAIR SCHEDULE	
REPAIR AREA	APPROVED MATERIAL
BEAMS	CONCRETE REPAIRS (PPC GIRDERS)
PIER FOOTINGS	CLASS "AA" CONCRETE (BRIDGE)...
OTHER SUBSTRUCTURE	SHOTCRETE, OR CONTRACTOR OPTION

SEE PPMC PLANS AND PSP FOR TOP OF DECK CONCRETE REPAIRS.

PRESTRESSED GIRDER REPAIR NOTE

IF AFTER UNSOUND CONCRETE REMOVAL ON GIRDERS, MORE THAN 50% SECTION LOSS IS NOTED ON THE PRESTRESSING STRANDS, OR A SEVERED PRESTRESSING STRAND IS ENCOUNTERED, NOTIFY THE ENGINEER PRIOR TO PROCEEDING WITH CONCRETE REPAIR.

PROJECT NO. B-5937
 CURRITUCK/DARE COUNTY
 STATION: BRIDGE NO. 16



3/14/2017

STATE OF NORTH CAROLINA
 DEPARTMENT OF TRANSPORTATION
 RALEIGH
 CONCRETE RESTORATION
 DETAILS

DRAWN BY : J. B. HANNA DATE : 07-16
 CHECKED BY : S. L. CULLUM DATE : 07-16
 DESIGN ENGINEER OF RECORD: S. L. CULLUM DATE : 07-16

DOCUMENT NOT CONSIDERED
 FINAL UNLESS ALL
 SIGNATURES COMPLETED

REVISIONS						SHEET NO.
NO.	BY:	DATE:	NO.	BY:	DATE:	
1			3			S-19
2			4			TOTAL SHEETS

*****SYSTEM*****
 *****DCN*****
 *****USERNAME*****