

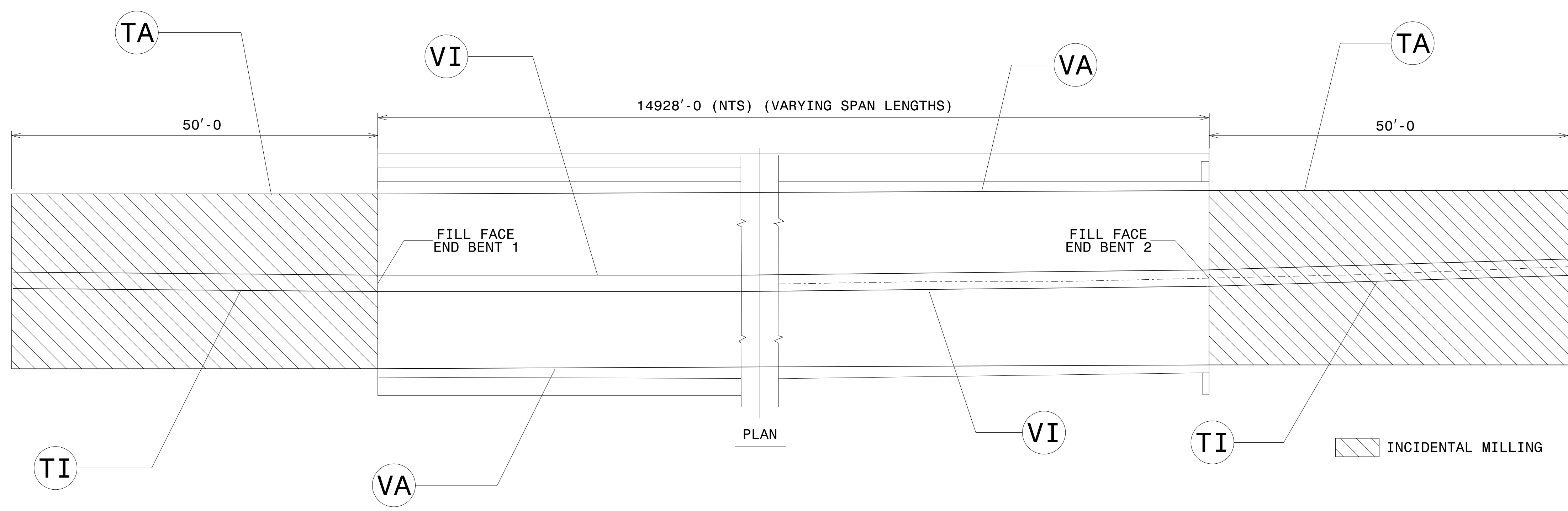
APPROVED: *Ayman Alqudwa*

DATE: 1/13/2017

SEAL



**DOCUMENT NOT CONSIDERED FINAL
UNLESS ALL SIGNATURES COMPLETED**



PAVEMENT MARKING SCHEDULE

SYMBOL	DESCRIPTION
TA	WHITE EDGELINE (4", 90 MIL)
TI	YELLOW DOUBLE CENTER (4", 120 MIL)
VA	WHITE EDGELINE (4")
VI	YELLOW DOUBLE CENTER (4")

PAVEMENT MARKING DETAIL

7/26/2016 N:\Special\581333\Tr\of\ic\Signing\CADD\B-5936_Sgn_PMP_Sheets.dgn User:walterjohnson