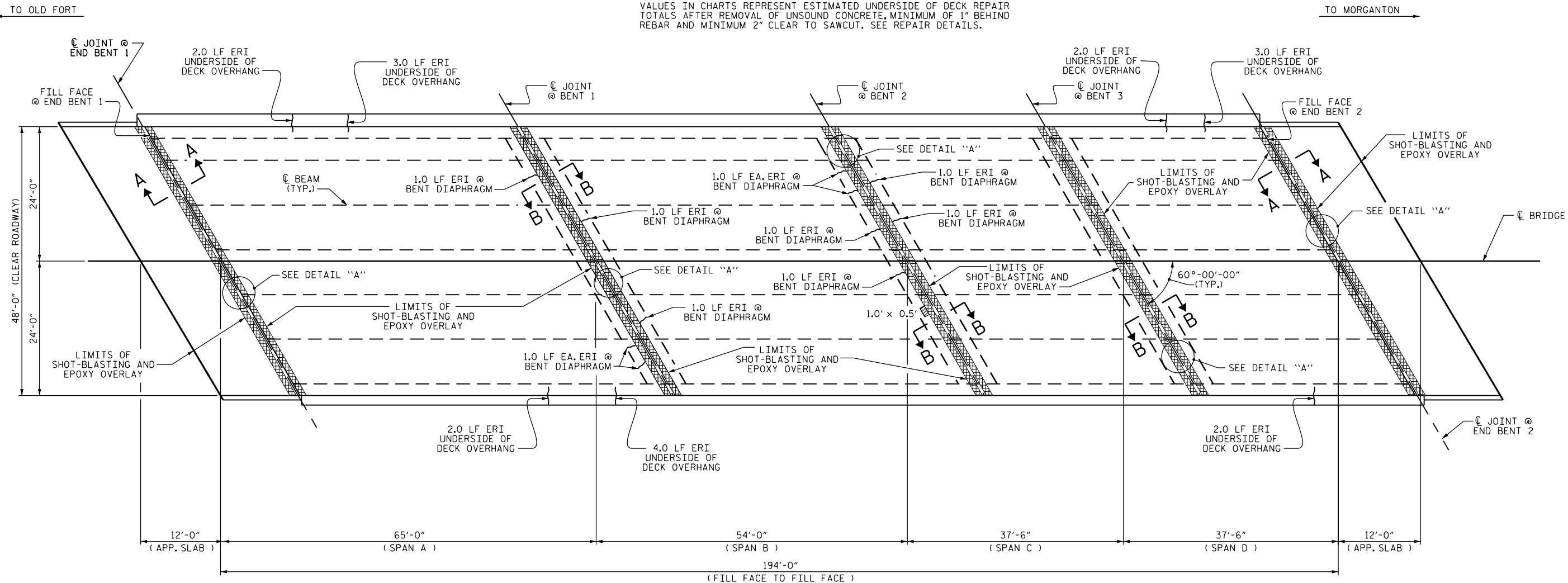


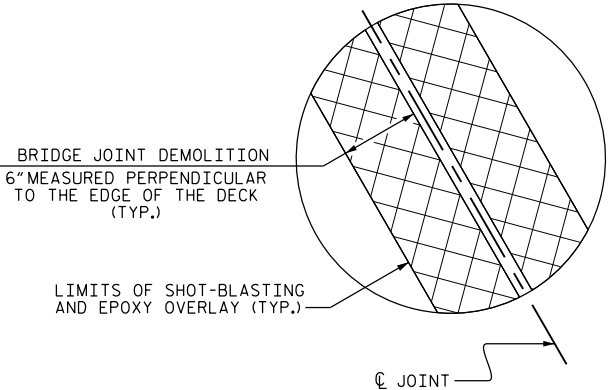
SUMMARY OF QUANTITIES		
	ESTIMATE	ACTUAL
CONCRETE DECK REPAIR FOR EPOXY OVERLAY	0.5 SQ. FT.	
BRIDGE JOINT DEMOLITION	277 SQ. FT.	
EPOXY OVERLAY SYSTEM	10,164 SQ. FT.	
UNDERSIDE EPOXY RESIN INJECTION	29.0 LIN. FT.	

VALUES IN CHARTS REPRESENT ESTIMATED UNDERSIDE OF DECK REPAIR TOTALS AFTER REMOVAL OF UNSOUND CONCRETE, MINIMUM OF 1" BEHIND REBAR AND MINIMUM 2" CLEAR TO SAWCUT. SEE REPAIR DETAILS.

NOTES:
 REPAIR LOCATIONS AND ESTIMATED QUANTITIES ARE GIVEN WITH THE BEST INFORMATION AVAILABLE. IF ADDITIONAL REPAIRS NOT SHOWN ON THE DRAWINGS ARE DEEMED NECESSARY BY THE ENGINEER, THE ENGINEER WILL NOTE ON THE DRAWINGS THE APPROXIMATE LOCATIONS AND DESCRIPTION OF THE REPAIRS AND ADJUST THE ACTUAL QUANTITIES ENTERED INTO THE AS-BUILT REPAIR TABLE.
 FOR UNDERSIDE OF DECK AND DIAPHRAGM REPAIRS, SEE "OVERHANG AND DIAPHRAGM REPAIRS DETAILS" SHEET.
 FOR BRIDGE JOINT DEMOLITION, SEE "JOINT DETAILS" SHEET.
 FOR SECTIONS A-A AND B-B, SEE "JOINT DETAILS" SHEET.



PLAN OF SPANS



DETAIL "A"

- CONCRETE DECK REPAIR FOR EPOXY OVERLAY
- BRIDGE JOINT DEMOLITION
- EPOXY OVERLAY
- ERI EPOXY RESIN INJECTION

PROJECT NO. I-5809
McDOWELL COUNTY
 BRIDGE NO. 151

DocuSigned by:
John A. Yannaccione
 7BC20000000000000000000000000000
 STATE OF NORTH CAROLINA
 PROFESSIONAL ENGINEER
 SEAL 32492
 JOHN A. YANNACCIONE
 9/27/2016

STATE OF NORTH CAROLINA
 DEPARTMENT OF TRANSPORTATION
 RALEIGH
 SURFACE PREPARATION,
 UNDERSIDE REPAIR AND
 EPOXY OVERLAY

DRAWN BY : J.P. ADAMS DATE : 5/2016
 CHECKED BY : T.L. AVERETTE DATE : 5/2016

DOCUMENT NOT CONSIDERED FINAL UNLESS ALL SIGNATURES COMPLETED					
NO.	BY:	DATE:	NO.	BY:	DATE:
1			3		
2			4		

SHEET NO.
 S-42
 TOTAL SHEETS
 68