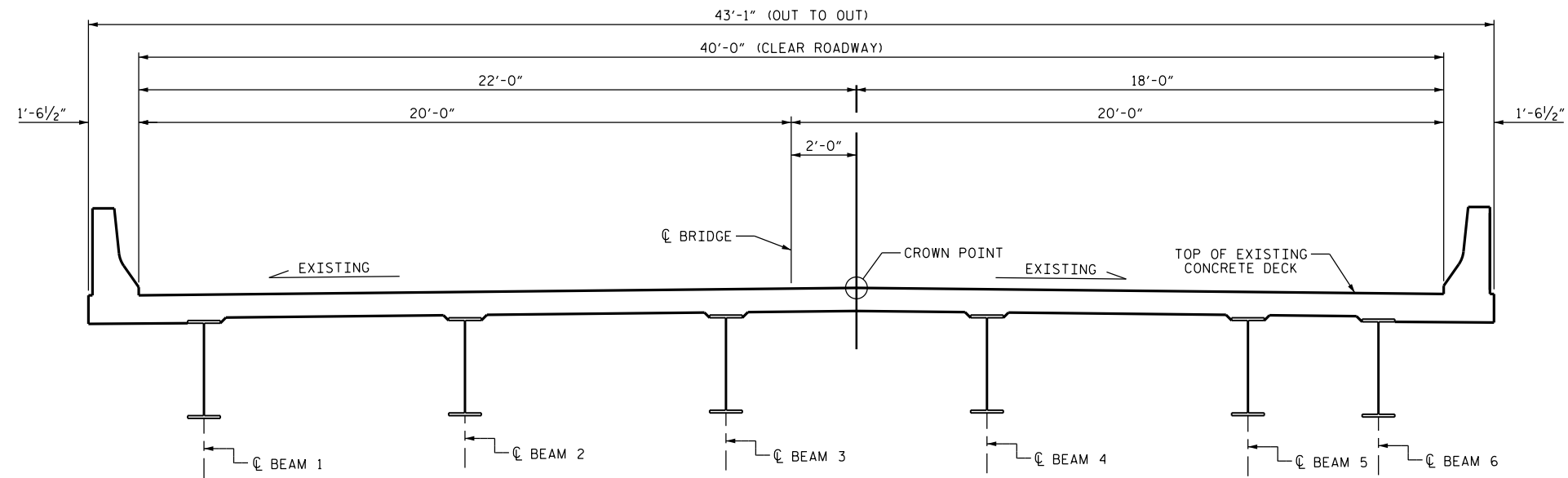
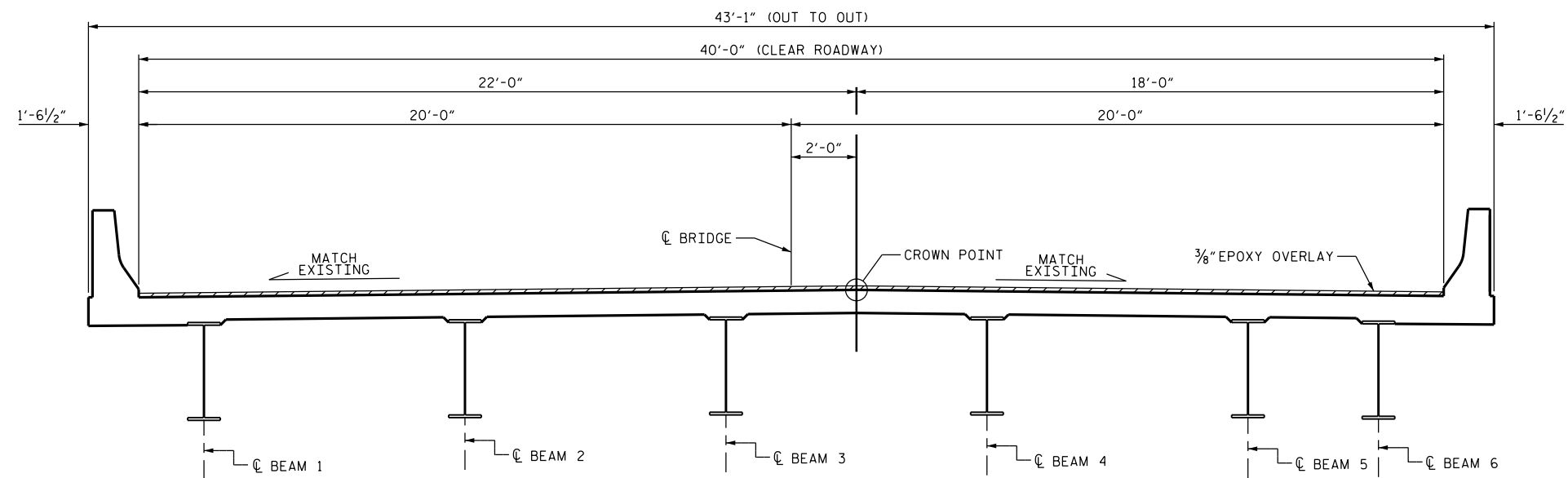


NOTE:

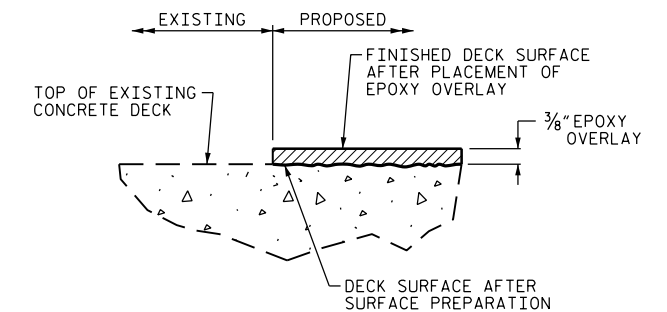
SEE TRAFFIC MANAGEMENT PLANS FOR LANE WIDTHS, SEQUENCING, AND OTHER TRAFFIC CONTROL MEASURES FOR STAGING OF EPOXY OVERLAY SYSTEM AND SURFACE PREPARATION.



TYPICAL SECTION
(EXISTING)



TYPICAL SECTION
(PROPOSED)



DETAIL FOR EPOXY OVERLAY

PROJECT NO. I-5809
McDOWELL COUNTY
 BRIDGE NO. 149

DocuSigned by:
John A. Yannaccone
 NORTH CAROLINA
 PROFESSIONAL ENGINEER
 SEAL
 32492
 JOHN A. YANNACCONI
 9/27/2016

STATE OF NORTH CAROLINA
 DEPARTMENT OF TRANSPORTATION
 RALEIGH

TYPICAL SECTION & EPOXY OVERLAY DETAIL

DRAWN BY : W.F. PARKER DATE : 05/16
 CHECKED BY : J.P. ADAMS DATE : 6/2016

REVISIONS						SHEET NO.
NO.	BY:	DATE:	NO.	BY:	DATE:	S-31
1			3			TOTAL SHEETS
2			4			68

DOCUMENT NOT CONSIDERED FINAL UNLESS ALL SIGNATURES COMPLETED