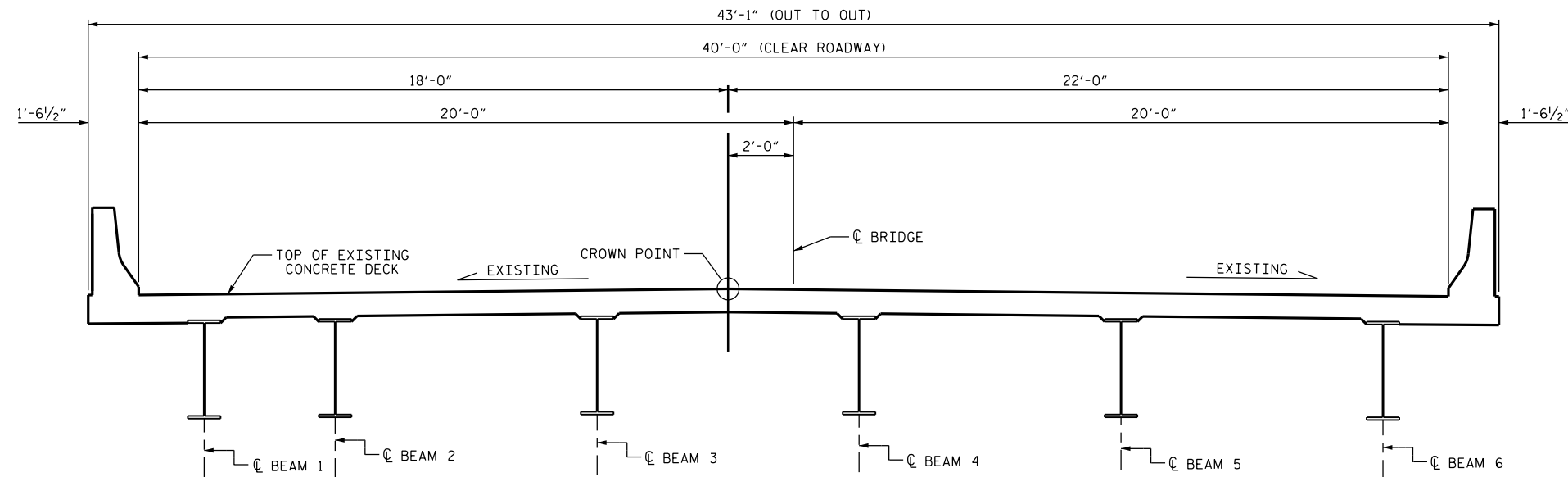
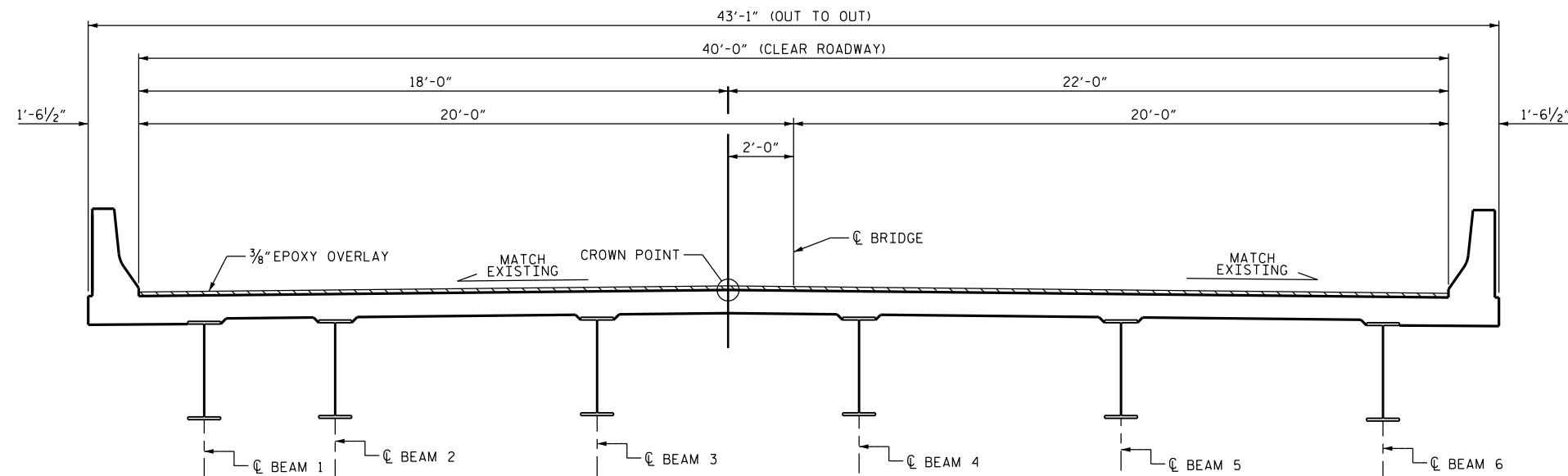


NOTE:

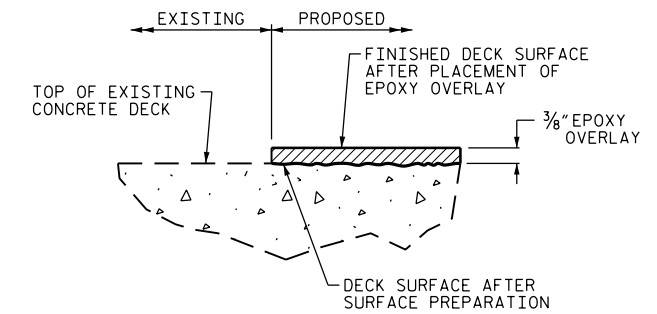
SEE TRAFFIC MANAGEMENT PLANS FOR LANE WIDTHS, SEQUENCING, AND OTHER TRAFFIC CONTROL MEASURES FOR STAGING OF EPOXY OVERLAY SYSTEM AND SURFACE PREPARATION.



TYPICAL SECTION
(EXISTING)



TYPICAL SECTION
(PROPOSED)

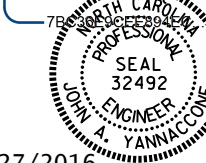


DETAIL FOR EPOXY OVERLAY

PROJECT NO. I-5809
McDOWELL COUNTY
 BRIDGE NO. 146

DocuSigned by:

John A. Yannaccone



9/27/2016

STATE OF NORTH CAROLINA
 DEPARTMENT OF TRANSPORTATION
 RALEIGH

TYPICAL SECTION & EPOXY OVERLAY DETAIL

DRAWN BY : W.F. PARKER DATE : 05/16
 CHECKED BY : J.P. ADAMS DATE : 6/2016

DOCUMENT NOT CONSIDERED
 FINAL UNLESS ALL
 SIGNATURES COMPLETED

REVISIONS						SHEET NO.
NO.	BY:	DATE:	NO.	BY:	DATE:	TOTAL SHEETS
1			3			S-20
2			4			68