

**CHANNEL 17**  
**EXISTING SPLICE ENCLOSURE**  
**(CLIFFDALE RD AT ALL AMERICAN EXPY SB)**  
**SIG ID 06-1183**  
**CCTV 11**

**COLOR CODE**  
 TIA/EIA 598-C

(1) BLUE	(7) RED
(2) ORANGE	(8) BLACK
(3) GREEN	(9) YELLOW
(4) BROWN	(10) VIOLET
(5) SLATE	(11) ROSE
(6) WHITE	(12) AQUA

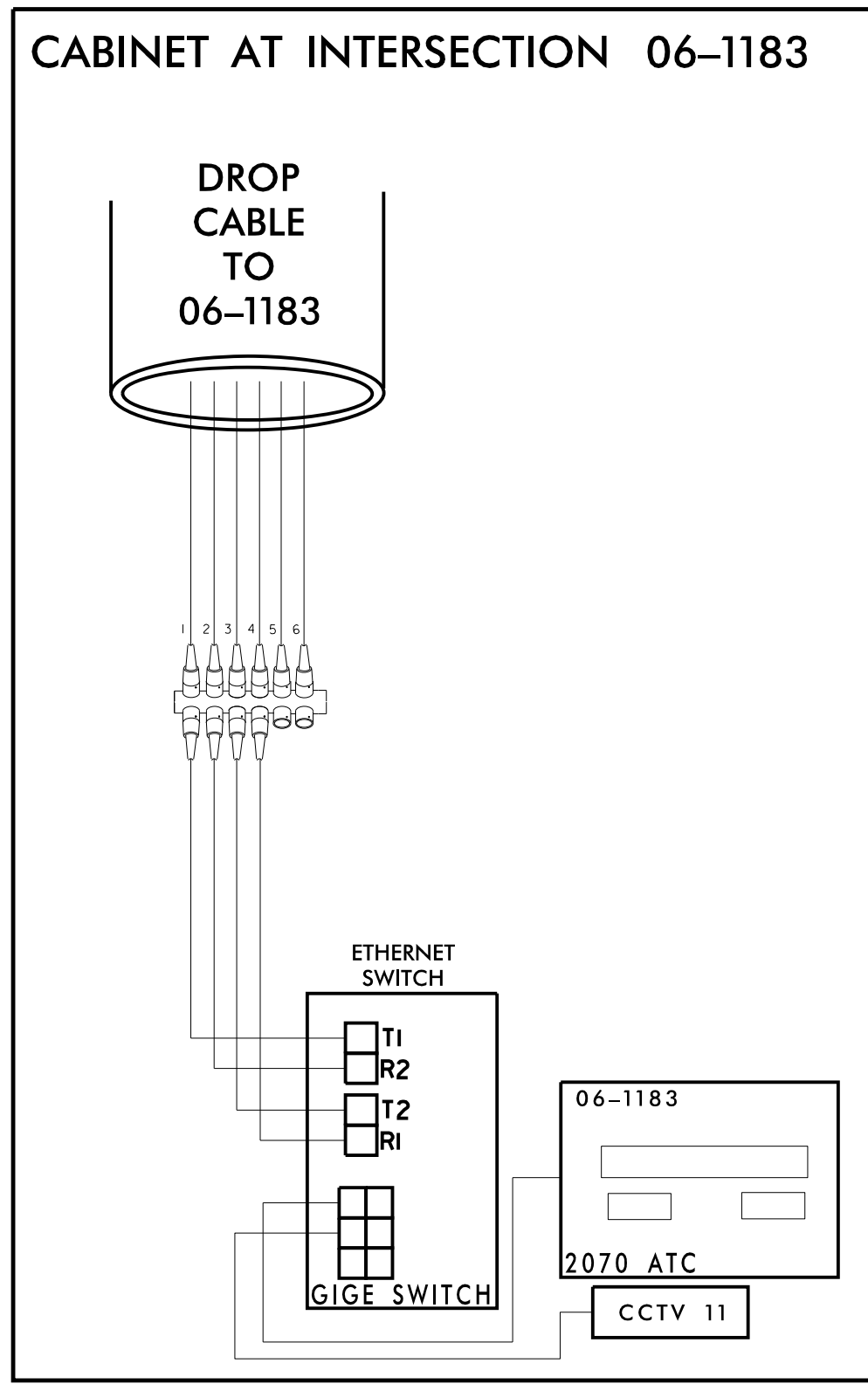
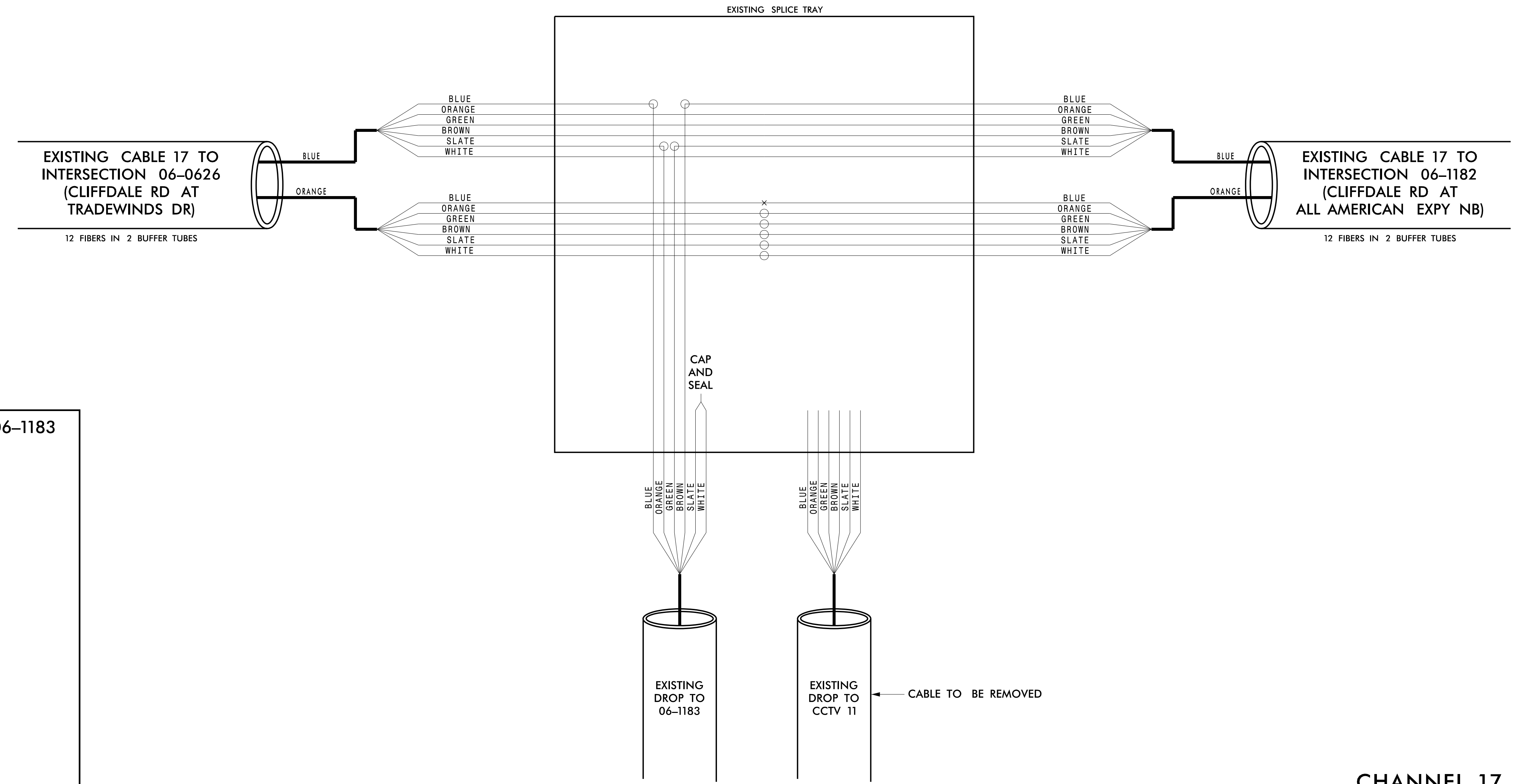
**LEGEND**

X - FUSION SPLICE INDIVIDUAL FIBER  
 O - EXISTING SPLICE  
 □ - EXPRESS INDIVIDUAL FIBER

EXPRESS - EXPRESS ENTIRE BUFFER TUBE  
 SPLICE - SPLICE ENTIRE BUFFER TUBE OR MAINTAIN IF EXISTING EXPRESSED

**NOTES:**

- FIBER INTERCONNECT CENTER RACKS ARE SCHEMATIC ONLY - ACTUAL EQUIPMENT FORM MAY VARY.
- ETHERNET SWITCH TERMINATION CONFIGURATIONS ARE GENERIC. CONTRACTOR IS RESPONSIBLE FOR DETERMINING /ENSURING PROPER TERMINATION.
- CONTRACTOR IS RESPONSIBLE FOR FIELD VERIFYING EXISTING SPLICING. THE CONTRACTOR SHALL COORDINATE WITH THE ENGINEER WHERE EXISTING SPLICING IS NOT AS EXPECTED.



**CHANNEL 17**

FAYETTEVILLE COMPUTERIZED SIGNAL SYSTEM

SPLICE DETAIL

DIVISION 06 CUMBERLAND COUNTY

PLAN DATE: NOVEMBER 2016 REVIEWED BY: N. M. MENGELKOCH

PREPARED BY: KHA REVIEWED BY: K. W. SMITH

REVISIONS: \_\_\_\_\_ INIT. DATE

SCALE: 0

Kimley»Horn  
 NC License #F-0102  
 421 Fayetteville St., Suite 600  
 Raleigh, NC 27636  
 Tel: (919) 677-2000  
 Fax: (919) 677-2050

SEAL  
 NORTH CAROLINA PROFESSIONAL ENGINEER  
 SEAL 030472  
 KEVIN W. SMITH  
 11/15/2016

11/15/2016 K:\ARL\TPTD\_ITS\01036305 - Fayetteville Sig Sys\Plans\Splicing\01036305-ITS-psr-205-CH17 CCT\lcmd2 Horvest 06-0626.dgn