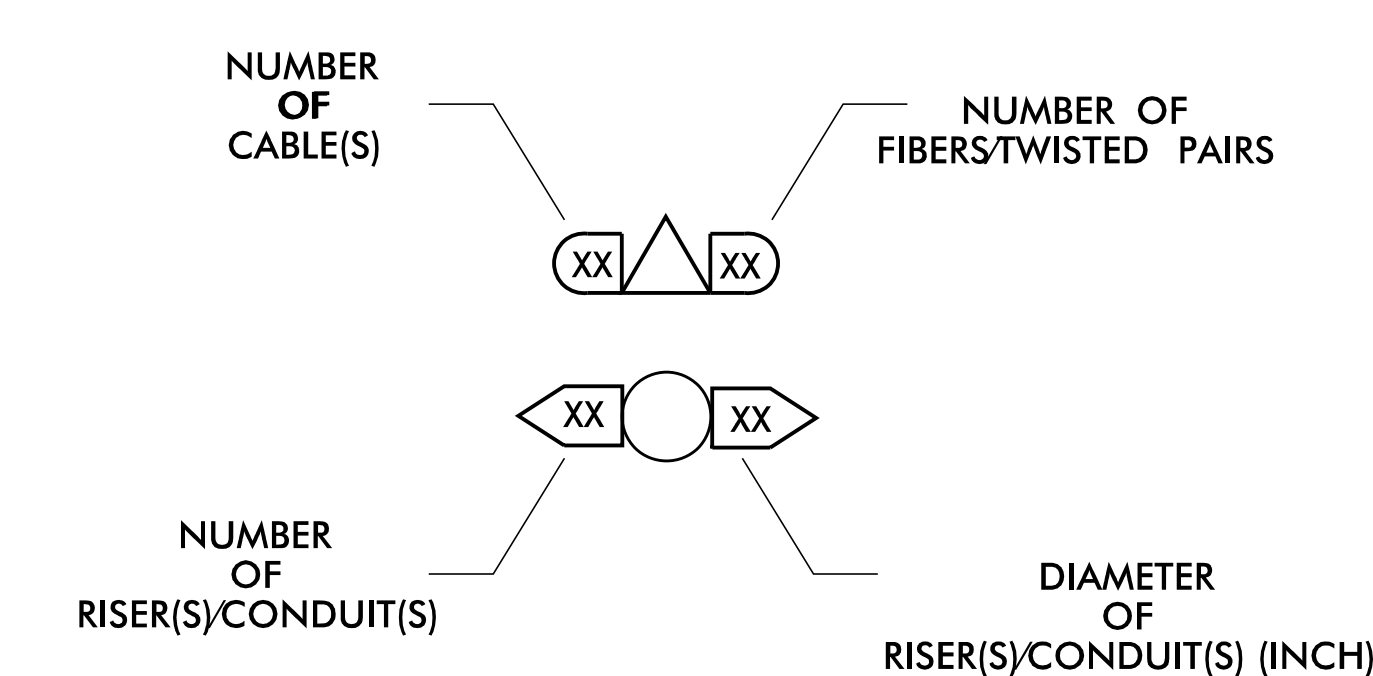


LEGEND

- FO — FO — NEW FIBER OPTIC COMMUNICATIONS CABLE
- EX1 — EX1 — EXISTING COMMUNICATIONS CABLE
- REM — REM — EXISTING COMMUNICATIONS CABLE TO BE REMOVED
- — — NEW AERIAL GUY ASSEMBLY
- NEW CONDUIT
- EXISTING CONDUIT
- DD — DD — NEW DIRECTIONAL DRILLED CONDUIT
- B&J — B&J — NEW BORED AND JACKED CONDUIT
- (XX) CABLE NAME
- NEW JUNCTION BOX
- EXISTING JUNCTION BOX
- NEW WOOD POLE
- EXISTING WOOD POLE
- (S) EXISTING UNDERGROUND SPLICE ENCLOSURE
- (S) NEW UNDERGROUND SPLICE ENCLOSURE
- (S) EXISTING AERIAL SPLICE ENCLOSURE
- (S) NEW AERIAL SPLICE ENCLOSURE
- NEW METAL POLE
- EXISTING METAL POLE
- NEW CCTV ASSEMBLY
- EXISTING CCTV ASSEMBLY
- EXISTING STANDARD GUY ASSEMBLY
- NEW STANDARD GUY ASSEMBLY
- NEW SIDEWALK GUY ASSEMBLY
- (S) EXISTING CABLE STORAGE RACKS (SNOW SHOES)
- (S) NEW CABLE STORAGE RACKS (SNOW SHOES)
- EXISTING BASE-MOUNTED CABINET AND CONTROLLER
- NEW BASE-MOUNTED CABINET AND CONTROLLER
- EXISTING POLE-MOUNTED CABINET AND CONTROLLER
- NEW POLE-MOUNTED CABINET AND CONTROLLER
- EXISTING SPLICE CABINET
- NEW SPLICE CABINET
- XX-XXXX SIGNAL INVENTORY /CCTV NUMBER

CONSTRUCTION NOTE SYMBOLOGY KEY

- XX INDICATES NUMBER OF CABLES, LOOPS, ETC.
- XX INDICATES NUMBER OF FIBERS PER CABLE, TWISTED PAIRS PER CABLE, ETC.
- XX INDICATES NUMBER OF RISER(S)/CONDUIT(S)
- XX INDICATES DIAMETER OF RISER(S)/CONDUIT(S) (INCH)



- 1 INSTALL REA, PE – 22, SHIELDED, TWISTED PAIR COMMUNICATIONS CABLE
- 2 INSTALL REA, PE – 38, (FIGURE 8) SHIELDED, TWISTED PAIR COMMUNICATIONS CABLE
- 3 INSTALL OUTDOOR RATED ETHERNET CABLE
- 4 INSTALL SMFO CABLE
- 5 INSTALL MMFO CABLE
- 6 INSTALL FIBER OPTIC DROP CABLE
- 7 INSTALL TRACER WIRE
- 8 TRENCH OR PLOW
- 9 INSTALL PVC CONDUIT
- 10 INSTALL RIGID, GALVANIZED STEEL CONDUIT
- 11 INSTALL RIGID, GALVANIZED STEEL RISER WITH WEATHERHEAD
- 12 INSTALL RIGID, GALVANIZED STEEL RISER WITH FIBER OPTIC CABLE SEAL
- 13 INSTALL OUTER-DUCT POLYETHYLENE CONDUIT
- 14 INSTALL POLYETHYLENE CONDUIT
- 15 DIRECTIONAL DRILL CONDUIT
- 16 BORE AND JACK CONDUIT
- 17 INSTALL CABLE(S) IN EXISTING CONDUIT
- 18 INSTALL CABLE(S) IN NEW CONDUIT
- 19 INSTALL CABLE(S) IN EXISTING RISER AND INSTALL HEAT SHRINK RETROFIT KIT
- 20 INSTALL CABLE(S) IN NEW RISER
- 21 INSTALL CABLE(S) IN EXISTING CONDUIT STUB-OUTS
- 22 INSTALL NEW CONDUIT INTO EXISTING CABINET BASE (USE EXISTING CONDUIT STUB-OUTS WHEN AVAILABLE)
- 23 INSTALL NEW RISER INTO EXISTING CABINET BASE (USE EXISTING CONDUIT STUB-OUTS WHEN AVAILABLE)
- 24 INSTALL NEW CONDUIT INTO EXISTING POLE MOUNTED CABINET
- 25 INSTALL NEW RISER INTO EXISTING POLE MOUNTED CABINET
- 26 INSTALL BASE MOUNTED SPLICE CABINET
- 27 MODIFY EXISTING SPLICE ENCLOSURE OR SPLICE CABINET
- 28 INSTALL INTERCONNECT CENTER, PATCH PANEL, JUMPERS AND FUSION SPLICE CABLE IN CABINET
- 29 INSTALL UNDERGROUND SPLICE ENCLOSURE
- 30 INSTALL AERIAL SPLICE ENCLOSURE
- 31 INSTALL POLE MOUNTED EQUIPMENT CABINET
- 32 INSTALL BASE MOUNTED EQUIPMENT CABINET
- 33 REMOVE EXISTING EQUIPMENT CABINET

- 34 INSTALL CABINET FOUNDATION
- 35 REMOVE EXISTING CABINET FOUNDATION
- 36 INSTALL DIGITAL CCTV CAMERA ASSEMBLY
- 37 REMOVE EXISTING CCTV CAMERA ASSEMBLY
- 38 INSTALL CCTV CAMERA WOOD POLE
- 39 INSTALL JUNCTION BOX
- 40 INSTALL OVERSIZED JUNCTION BOX
- 41 REMOVE EXISTING JUNCTION BOX
- 42 INSTALL WOOD POLE
- 43 REMOVE EXISTING WOOD POLE
- 44 INSTALL AERIAL GUY ASSEMBLY
- 45 INSTALL STANDARD GUY ASSEMBLY
- 46 INSTALL SIDEWALK GUY ASSEMBLY
- 47 INSTALL MESSENGER CABLE
- 48 REMOVE EXISTING COMMUNICATIONS
- 49 REMOVE EXISTING MESSENGER CABLE
- 50 INSTALL TELEPHONE SERVICE
- 51 INSTALL CABLE STORAGE RACKS (SNOW SHOES) AND STORE 100 FEET OF CABLE
- 52 INSTALL DELINEATOR MARKER
- 53 STORE 30 FEET OF COMMUNICATIONS CABLE
- 54 LASH CABLE(S) TO EXISTING SIGNAL/COMMUNICATIONS CABLE
- 55 LASH CABLE(S) TO EXISTING MESSENGER CABLE
- 56 LASH CABLE(S) TO NEW MESSENGER CABLE
- 57 MODIFY EXISTING ELECTRICAL SERVICE
- 58 INSTALL NEW ELECTRICAL SERVICE
- 59 INSTALL NEW FIELD ETHERNET SWITCH
- 60 REMOVE EXISTING FIBER OPTIC TRANSCEIVER
- 61 BACKPULL EXISTING FIBER OPTIC CABLE
- 62 BOND MESSENGER CABLE TO POLE GROUND
- 63 BOND RISER AND MESSENGER CABLE TO POLE GROUND

Kimley»Horn
 NC License #F-0102
 421 Fayetteville St., Suite 600
 Raleigh, NC 27636
 Tel: (919) 677-2000
 Fax: (919) 677-2050

	FAYETTEVILLE COMPUTERIZED SIGNAL SYSTEM CONSTRUCTION NOTES AND LEGEND		SEAL 								
	DIVISION 06 CUMBERLAND COUNTY PLAN DATE: NOVEMBER 2016 REVIEWED BY: K. NICHOLAS PREPARED BY: J. CROSS REVIEWED BY: K. SMITH										
SCALE 	REVISIONS <table border="1"> <tr> <th>NO.</th> <th>DESCRIPTION</th> <th>INIT.</th> <th>DATE</th> </tr> <tr> <td> </td> <td> </td> <td> </td> <td> </td> </tr> </table>	NO.	DESCRIPTION	INIT.	DATE					SIGNATURE 	DATE 11/15/2016
NO.	DESCRIPTION	INIT.	DATE								