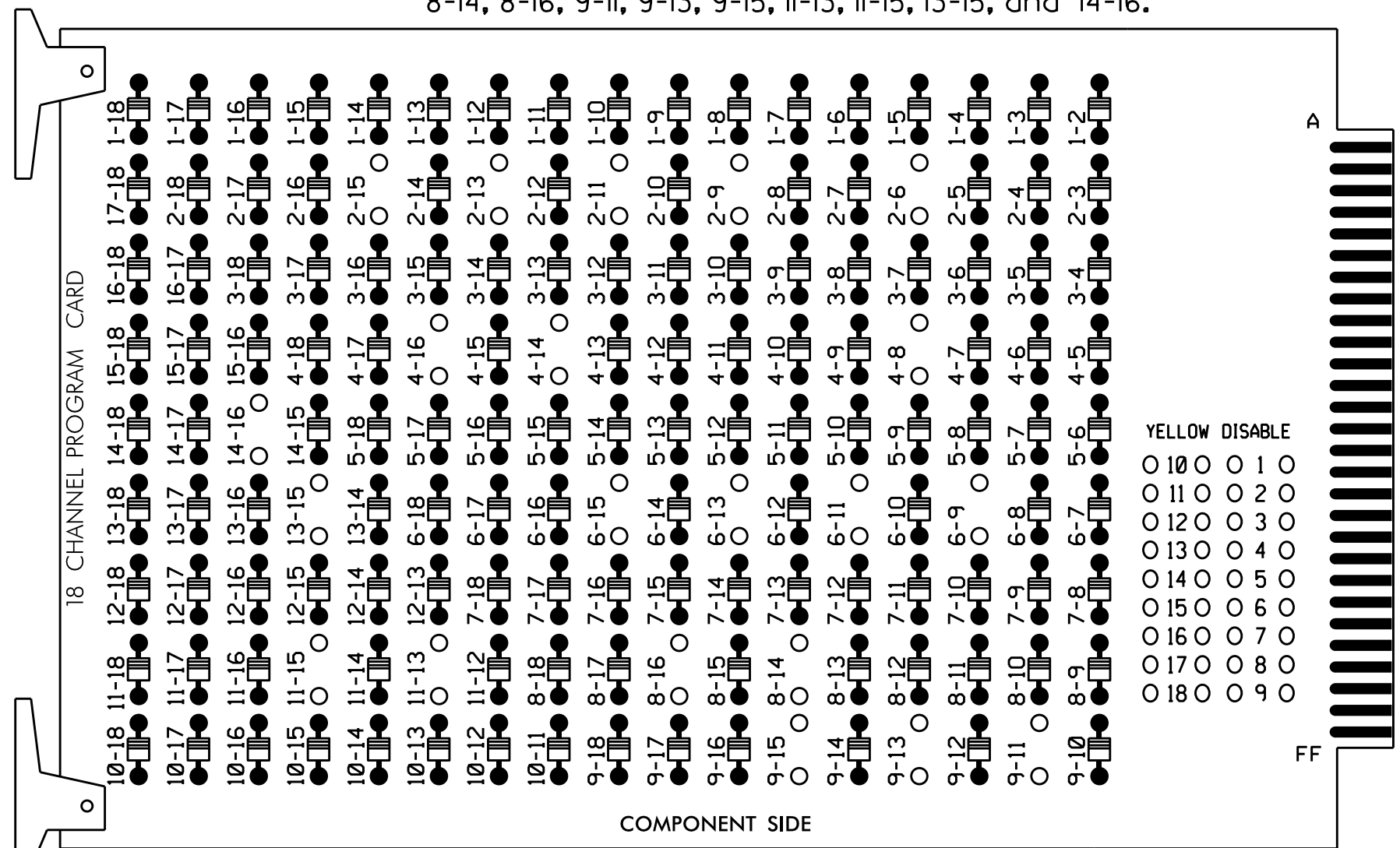


EDI MODEL 2018EClip-NC CONFLICT MONITOR

PROGRAMMING DETAIL

(remove jumpers and set switches as shown)

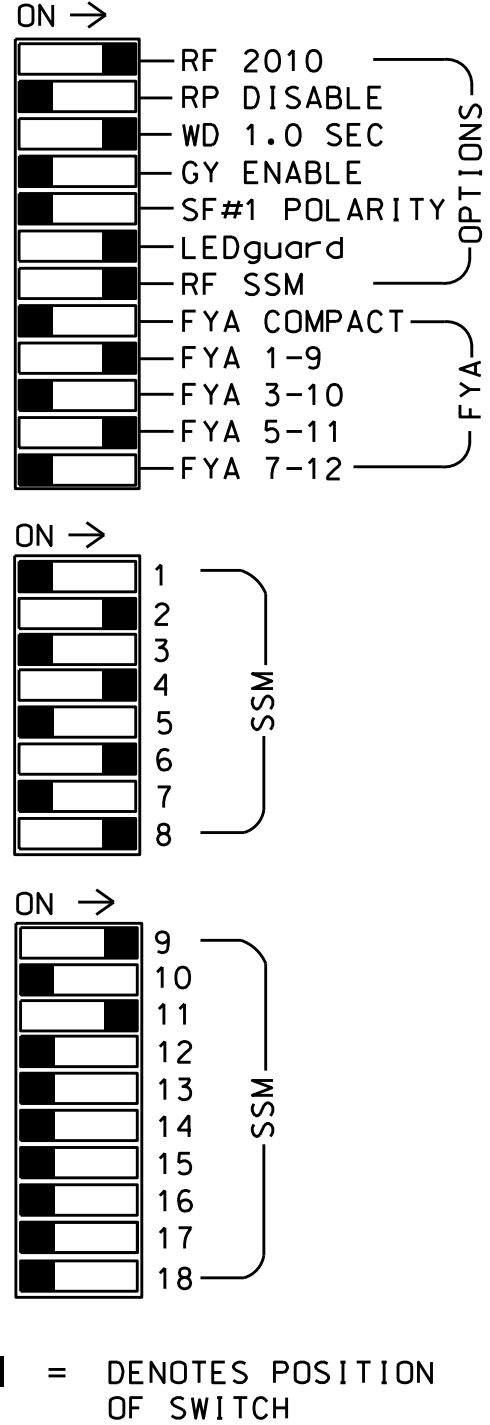
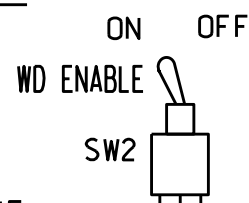
REMOVE DIODE JUMPERS 2-6, 2-9, 2-11, 2-13, 2-15, 4-8, 4-14, 4-16, 6-9, 6-11, 6-13, 6-15, 8-14, 8-16, 9-11, 9-13, 9-15, 11-13, 11-15, 13-15, and 14-16.



REMOVE JUMPERS AS SHOWN

NOTES:

1. Card is provided with all diode jumpers in place. Removal of any jumper allows its channels to run concurrently.
2. Ensure jumpers SEL2-SEL5 and SEL9 are present on the monitor board.
3. Ensure that Red Enable is active at all times during normal operation.
4. Integrate monitor with Ethernet network in cabinet.



■ = DENOTES POSITION OF SWITCH

NOTES

1. To prevent "flash-conflict" problems, insert red flash program blocks for all unused vehicle load switches in the output file. The installer shall verify that signal heads flash in accordance with the Signal Plans.
2. Program phases 4 and 8 for Dual Entry.
3. Enable Simultaneous Gap-Out for all phases.
4. Program controller to start up in phase 4 Red and 8 Red.
5. Program phases 2 and 6 for Red Flash.
6. The cabinet and controller are part of the Fayetteville Signal System.

EQUIPMENT INFORMATION

CONTROLLER.....2070E
 CABINET.....332 W/AUX
 SOFTWARE.....ECONOLITE ASC/3-2070
 CABINET MOUNT.....BASE
 OUTPUT FILE POSITIONS...18 WITH AUX. OUTPUT FILE
 LOAD SWITCHES USED.....S2,S3,S5,S6,S8,S9,S11,S12,
 AUX S1,AUX S4
 PHASES USED.....2,2PED,4,4PED,6,6PED,8,8PED
 OVERLAP A.....2
 OVERLAP B.....NOT USED
 OVERLAP C.....6
 OVERLAP D.....NOT USED

SIGNAL HEAD HOOK-UP CHART

LOAD SWITCH NO.	S1	S2	S3	S4	S5	S6	S7	S8	S9	S10	S11	S12	AUX S1	AUX S2	AUX S3	AUX S4	AUX S5	AUX S6
GMJ CHANNEL NO.	1	2	13	3	4	14	5	6	15	7	8	16	9	10	17	11	12	18
PHASE	1	2	2 PED	3	4	4 PED	5	6	6 PED	7	8	8 PED	OLA	OLB	SPARE	OLC	OLD	SPARE
SIGNAL HEAD NO.	NU	22,23 24	P21, P22	NU	41,42	P41, P42	NU	62,63 64	P61, P62	NU	81,82	P81, P82	61★	NU	NU	21★	NU	NU
RED		128			101			134			107							
YELLOW		129			102			135			108							
GREEN		130			103			136			109							
RED ARROW													A121			A114		
YELLOW ARROW													A122			A115		
FLASHING YELLOW ARROW													A123			A116		
GREEN ARROW																		
Hand icon				113			104			119		110						
Walking person icon				115			106			121		112						

NU = Not Used

★ See pictorial of head wiring in detail below.

INPUT FILE POSITION LAYOUT

(front view)

FILE "I"	1	2	3	4	5	6	7	8	9	10	11	12	13	14
U	S	∅ 2	S	S	S	∅ 4	S	S	S	S	S	∅ 2 PED	∅ 6 PED	FS
L	2A,2B	2C	NOT USED	DC ISOLATOR	DC ISOLATOR	DC ISOLATOR	DC ISOLATOR	DC ISOLATOR	DC ISOLATOR	DC ISOLATOR	DC ISOLATOR	DC ISOLATOR	DC ISOLATOR	DC ISOLATOR
U	S	∅ 6	S	S	S	∅ 8	S	S	S	S	S	S	S	PRE1
L	6A,6B	6C	NOT USED	AC ISOLATOR	AC ISOLATOR	AC ISOLATOR	AC ISOLATOR	AC ISOLATOR	AC ISOLATOR	AC ISOLATOR	AC ISOLATOR	AC ISOLATOR	AC ISOLATOR	AC ISOLATOR

EX. : 1A, 2A, ETC. = LOOP NO.'S

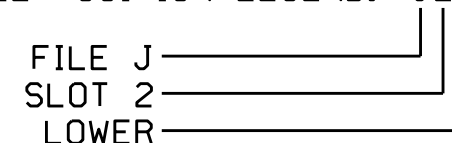
FS = FLASH SENSE
 ST = STOP TIME
 PRE1 = RR PREEMPT

INPUT FILE CONNECTION & PROGRAMMING CHART

LOOP NO.	LOOP TERMINAL	INPUT FILE POS.	PIN NO.	DETECTOR NO.	NEMA PHASE	CALL	EXTEND TIME	DELAY TIME	DETECTOR TYPE
2A,2B	TB2-5,6	I2U	39	2	2	YES			S
2C	TB2-7,8	I2L	43	12	2	YES			S
4A	TB4-9,10	I6U	41	4	4	YES		10	S
6A,6B	TB3-5,6	J2U	40	6	6	YES			S
6C	TB3-7,8	J2L	44	16	6	YES			S
8A	TB5-9,10	J6U	42	8	8	YES		10	S
PED PUSH BUTTONS									
P21,P22	TB8-4,6	I12U	67	PED 2	2 PED				
P41,P42	TB8-5,6	I12L	69	PED 4	4 PED				
P61,P62	TB8-7,9	I13U	68	PED 6	6 PED				
P81,P82	TB8-8,9	I13L	70	PED 8	8 PED				

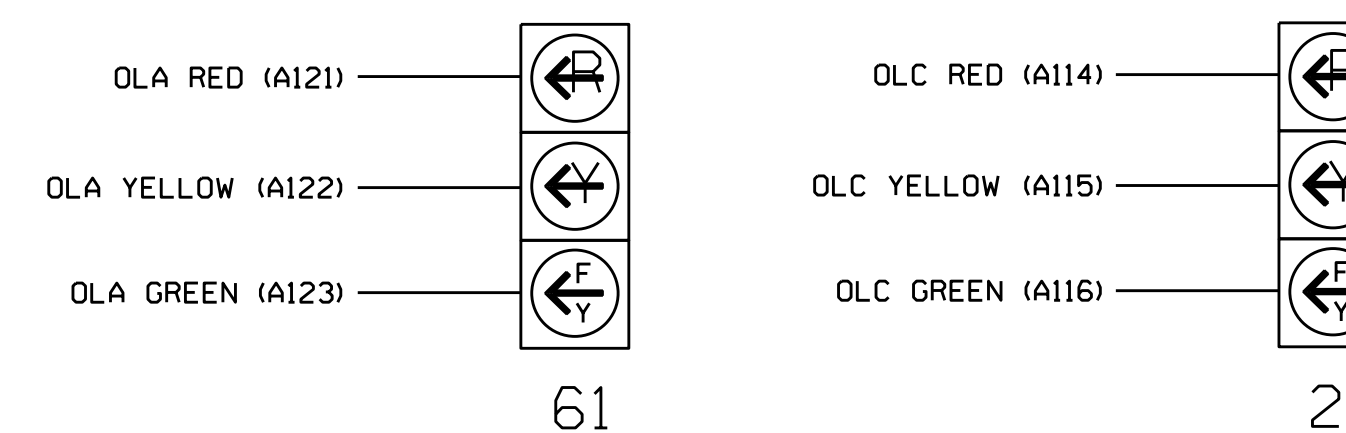
NOTE:
 INSTALL DC ISOLATORS
 IN INPUT FILE SLOTS
 112 AND 113.

INPUT FILE POSITION LEGEND:



FYA SIGNAL WIRING DETAIL

(wire signal heads as shown)



THIS ELECTRICAL DETAIL IS FOR
 THE SIGNAL DESIGN: 06-0011
 DESIGNED: August 2016
 SEALED: 9/26/2016
 REVISED: N/A

Electrical and Programming Details for: SR 2299 (Russell Street) at Winslow Street

Division 6 Cumberland County Fayetteville

PLAN DATE: September 2016 REVIEWED BY: BAS

PREPARED BY: S. Armstrong REVIEWED BY:

REVISIONS INIT. DATE

750 N. Greenfield Pkwy, Garner, NC 27529

SEAL: KEITH M. MIMS ENGINEER

DocuSigned by: Keith M. Mims 10/6/2016

SIG. INVENTORY NO. 06-0011

06-0011-2016-14-33
 S:\IT\SSM\15_Signal\work\hgr\oups\51g_MonMstrFrng\060011_sm.elec.xxx.dgn
 sarmsfrng