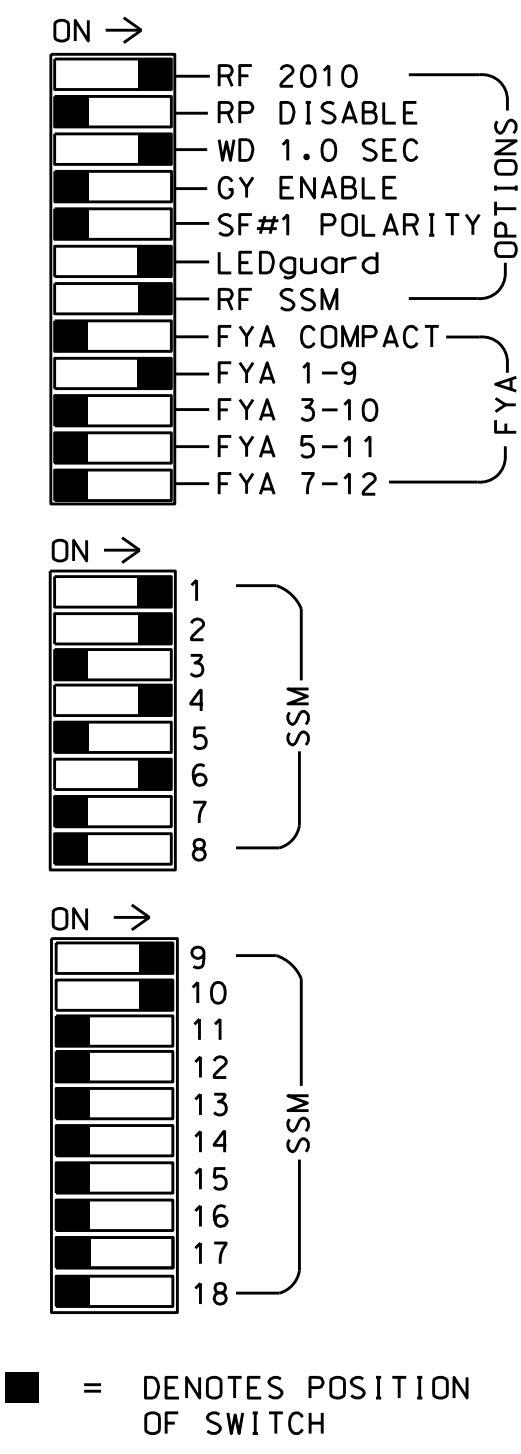
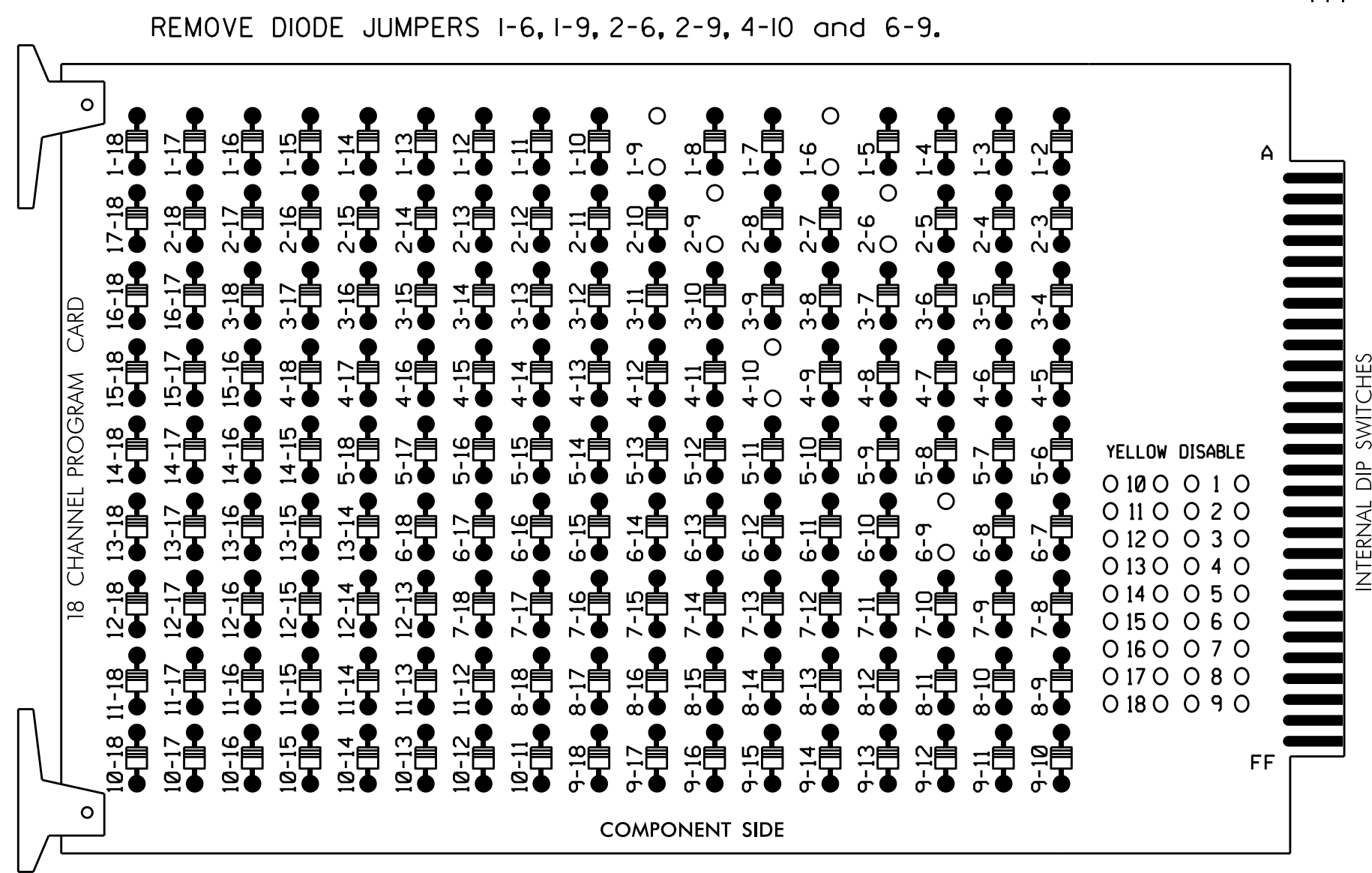


EDI MODEL 2018ECLip-NC CONFLICT MONITOR PROGRAMMING DETAIL

(remove jumpers and set switches as shown)



- NOTES:
- Card is provided with all diode jumpers in place. Removal of any jumper allows its channels to run concurrently.
 - Ensure jumpers SEL2-SEL5 and SEL9 are present on the monitor board.
 - Ensure that Red Enable is active at all times during normal operation.
 - Integrate monitor with Ethernet network in cabinet.

NOTES

- To prevent "flash-conflict" problems, insert red flash program blocks for all unused vehicle load switches in the output file. The installer shall verify that signal heads flash in accordance with the Signal Plans.
- Enable Simultaneous Gap-Out for all phases.
- Program phases 2 and 6 for volume density operation.
- Program controller to start up in phase 2 Green and 6 Green.
- The cabinet and controller are part of the Fayetteville Signal System.

EQUIPMENT INFORMATION

CONTROLLER.....2070E
 CABINET.....332 W/AUX
 SOFTWARE.....ECONOLITE ASC/3-2070
 CABINET MOUNT.....BASE
 OUTPUT FILE POSITIONS...18 WITH AUX. OUTPUT FILE
 LOAD SWITCHES USED.....S1,S2,S5,S8,AUX S1,AUX S2
 PHASES USED.....1,2,4,6
 OVERLAP "A".....*
 OVERLAP "B".....*
 OVERLAP "C".....NOT USED
 OVERLAP "D".....NOT USED
 * See overlap programming detail on sheet 2

SIGNAL HEAD HOOK-UP CHART

LOAD SWITCH NO.	S1	S2	S3	S4	S5	S6	S7	S8	S9	S10	S11	S12	AUX S1	AUX S2	AUX S3	AUX S4	AUX S5	AUX S6
CMU CHANNEL NO.	1	2	13	3	4	14	5	6	15	7	8	16	9	10	17	11	12	18
PHASE	1	2	2 PED	3	4	4 PED	5	6	6 PED	7	8	8 PED	OLA	OLB	SPARE	OLC	OLD	SPARE
SIGNAL HEAD NO.	11	42	21,22	NU	NU	41,42	NU	NU	61,62	NU	NU	NU	11	22	NU	NU	NU	NU
RED	*	128				101			134				*					
YELLOW		129				102			135									
GREEN		130				103			136									
RED ARROW													A121					
YELLOW ARROW		126											A122	A125				
FLASHING YELLOW ARROW													A123					
GREEN ARROW	127	127																A126

NU = Not Used
 * Denotes install load resistor. See load resistor installation detail this sheet.
 ★ See pictorial of head wiring in detail this sheet.

INPUT FILE POSITION LAYOUT

(front view)

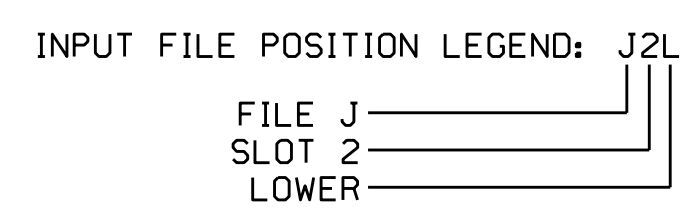
FILE	1	2	3	4	5	6	7	8	9	10	11	12	13	14
U	∅ 1	∅ 2	∅ S	∅ S	∅ S	PRE3	PRE3	∅ S	SYS. DET. S2A	∅ S	∅ S	∅ S	∅ S	FS
I	NOT USED	NOT USED	∅ 3	∅ 3	∅ 3	∅ 4	∅ 4	∅ 3	SYS. DET. S2B	∅ 3	∅ 3	∅ 3	∅ 3	DC ISOLATOR
L														ST
U	∅ 5	∅ 6	∅ 5	∅ 5	∅ 5	∅ 5	∅ 5	∅ 5	SYS. DET. S6A	∅ 5	∅ 5	∅ 5	∅ 5	∅ 5
J	NOT USED	NOT USED	∅ 4	∅ 4	∅ 4	∅ 4	∅ 4	∅ 4	SYS. DET. S6B	∅ 4	∅ 4	∅ 4	∅ 4	∅ 4
L														

EX.: 1A, 2A, ETC. = LOOP NO.'S
 FS = FLASH SENSE
 ST = STOP TIME
 ⊗ Wired Input - Do not populate slot with detector card

INPUT FILE CONNECTION & PROGRAMMING CHART

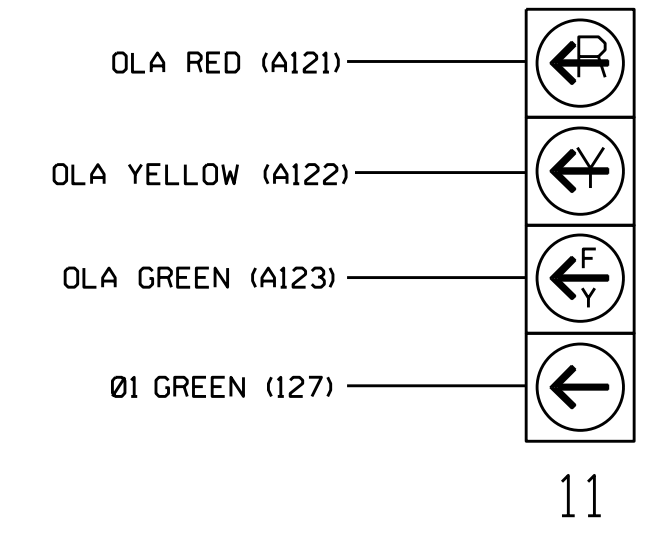
LOOP NO.	LOOP TERMINAL	INPUT FILE POS.	PIN NO.	DETECTOR NO.	NEMA PHASE	CALL	EXTEND TIME	DELAY TIME	DETECTOR TYPE
1A ¹	TB2-1,2	I1U	56	1	1	YES		15	S
		J4U	48	26	6	YES		3	G
2A,2B	TB2-5,6	I2U	39	2	2	YES			N
4A	TB4-9,10	I6U	41	4 ★	PRE3	NO			N
4C	TB4-11,12	I6L	45	14	4	YES		3	S
4B	TB6-1,2	I7U	65	34 ★	PRE3	NO			N
4D	TB6-3,4	I7L	78	44	4	YES		15	S
*S2A	TB6-9,10	I9U	60	11	SYS	NO			N
*S2B	TB6-11,12	I9L	62	13	SYS	NO			N
6A,6B	TB3-5,6	J2U	40	6	6	YES			N
*S6A	TB7-9,10	J9U	59	15	SYS	NO			N
*S6B	TB7-11,12	J9L	61	17	SYS	NO			N

- * System detector only. Remove any assigned vehicle phase.
 ★ Remove default phase assignment.
¹Add jumper from I1-W to J4-W, on rear of input file.



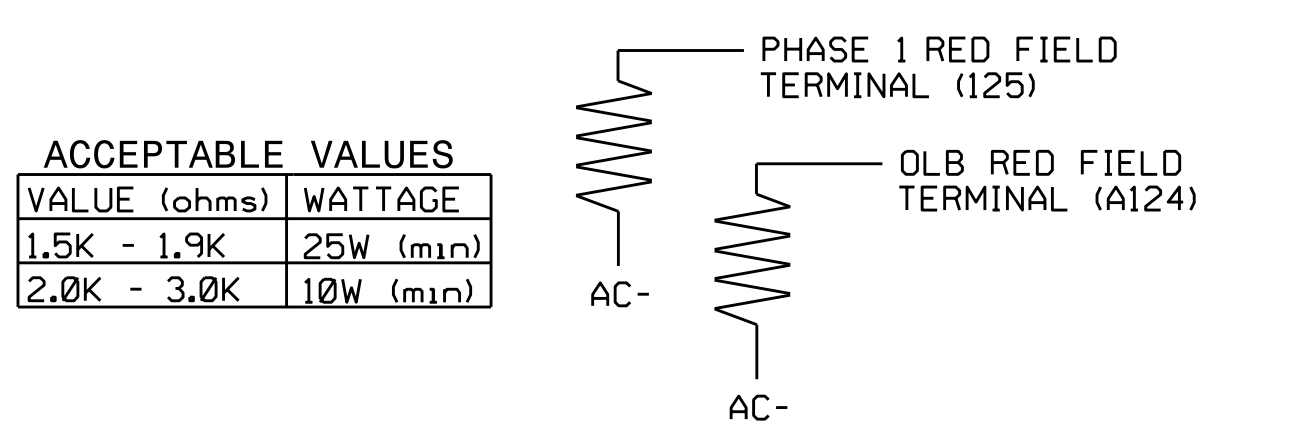
FYA SIGNAL WIRING DETAIL

(wire signal head as shown)



LOAD RESISTOR INSTALLATION DETAIL

(install resistors as shown)



ACCEPTABLE VALUES

VALUE (ohms)	WATTAGE
1.5K - 1.9K	25W (min)
2.0K - 3.0K	10W (min)

Electrical Detail Sheet 1 of 3

DOCUMENT NOT CONSIDERED FINAL UNLESS ALL SIGNATURES COMPLETED

Prepared In the Offices of:
 Transportation Mobility and Safety
 NORTH CAROLINA PROFESSIONAL ENGINEER
 KEITH M. WILKINS
 750 N. Greenfield Pkwy, Garner, NC 27529

US 401 Bus. (Robeson Street) at Levy Road

Division 6 Cumberland County Fayetteville

PLAN DATE: October 2016 REVIEWED BY: BAS

PREPARED BY: James Peterson REVIEWED BY:

REVISIONS INIT. DATE

DocuSigned by:
 Keith M. Wilkins 10/27/2016
 2F807866CD3445 DATE

SIG. INVENTORY NO. 06-1230

27-001-2016-1419
 S:\IT\SSU\115\Sigmod\work\hgr\oups\g_Mon#eter.som\61230_sml.e...xxx.dgn
 kmm:ms