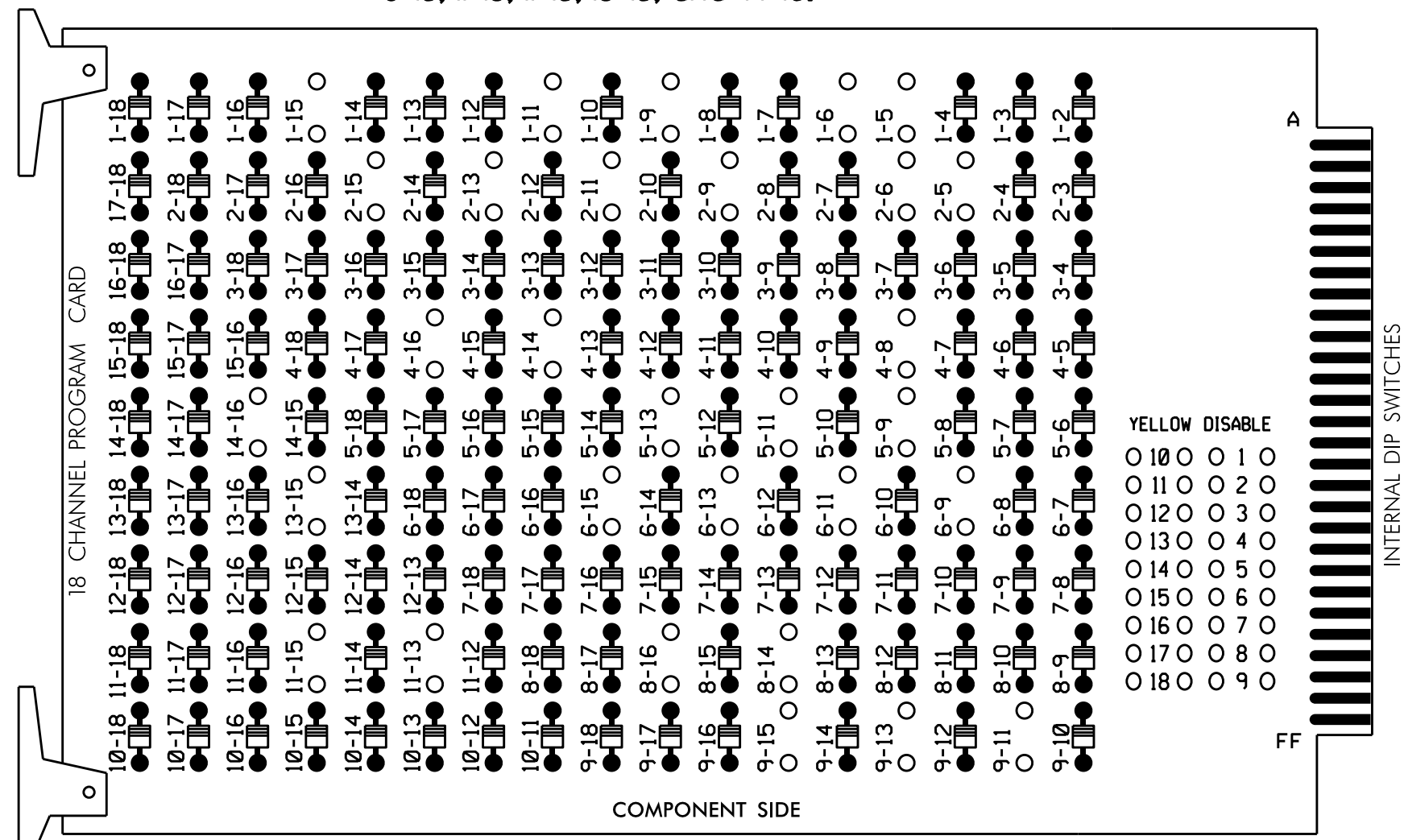


EDI MODEL 2018ECLIP-NC CONFLICT MONITOR

PROGRAMMING DETAIL

(remove jumpers and set switches as shown)

REMOVE DIODE JUMPERS 1-5, 1-6, 1-9, 1-11, 1-15, 2-5, 2-6, 2-9, 2-11, 2-13, 2-15, 4-8, 4-14, 4-16, 5-9, 5-11, 5-13, 6-9, 6-11, 6-13, 6-15, 8-14, 8-16, 9-11, 9-13, 9-15, 11-13, 11-15, 13-15, and 14-16.



REMOVE JUMPERS AS SHOWN

NOTES:

- Card is provided with all diode jumpers in place. Removal of any jumper allows its channels to run concurrently.
- Ensure jumpers SEL2-SEL5 and SEL9 are present on the monitor board.
- Ensure that Red Enable is active at all times during normal operation.
- Integrate monitor with Ethernet network in cabinet.

■ = DENOTES POSITION OF SWITCH

NOTES

- To prevent "flash-conflict" problems, insert red flash program blocks for all unused vehicle load switches in the output file. The installer shall verify that signal heads flash in accordance with the Signal Plans.
- Program phases 4 and 8 for Dual Entry.
- Enable Simultaneous Gap-Out for all phases.
- Program controller to start up in phase 2 Walk and 6 Walk.
- The cabinet and controller are part of the Fayetteville Signal System.

EQUIPMENT INFORMATION

CONTROLLER.....2070E
 CABINET.....332 W/AUX
 SOFTWARE.....ECONOLITE ASC/3-2070
 CABINET MOUNT.....BASE
 OUTPUT FILE POSITIONS...18 WITH AUX. OUTPUT FILE
 LOAD SWITCHES USED.....S1,S2,S3,S5,S6,S7,S8,S9,S11,S12,
 AUX S1,AUX S4
 PHASES USED.....1,2,2PED,4,4PED,5,6,6PED,8,8PED
 OVERLAP "A".....*
 OVERLAP "B".....NOT USED
 OVERLAP "C".....*
 OVERLAP "D".....NOT USED
 * See overlap programming detail on sheet 2

SIGNAL HEAD HOOK-UP CHART

LOAD SWITCH NO.	S1	S2	S3	S4	S5	S6	S7	S8	S9	S10	S11	S12	AUX S1	AUX S2	AUX S3	AUX S4	AUX S5	AUX S6
CHU CHANNEL NO.	1	2	13	3	4	14	5	6	15	7	8	16	9	10	17	11	12	18
PHASE	1	2	2 PED	3	4	4 PED	5	6	6 PED	7	8	8 PED	OLA	OLB	SPARE	OLC	OLD	SPARE
SIGNAL HEAD NO.	11*	21,22	P21, P22	NU	41,42	P41, P42	51*	61,62	P61, P62	NU	81,82	P81, P82	11*	NU	NU	51*	NU	NU
RED		128			101			134			107							
YELLOW	*	129			102		*	135			108							
GREEN		130			103			136			109							
RED ARROW													A121			A114		
YELLOW ARROW													A122			A115		
FLASHING YELLOW ARROW													A123			A116		
GREEN ARROW	127							133										
Hand icon			113			104		119			110							
Person icon			115			106		121			112							

NU = Not Used

* Denotes install load resistor. See load resistor installation detail this sheet.

* See pictorial of head wiring in detail below.

INPUT FILE POSITION LAYOUT

(front view)

FILE	1	2	3	4	5	6	7	8	9	10	11	12	13	14
U	∅ 1	∅ 2	∅ 3	∅ 4	∅ 5	∅ 6	∅ 7	∅ 8	∅ 9	∅ 10	∅ 11	∅ 12	∅ 13	∅ 14
L	1A	2A	3A	4A	5A	6A	7A	8A	9A	10A	11A	12A	13A	14A
U	NOT USED	∅ 2	∅ 3	∅ 4	∅ 5	∅ 6	∅ 7	∅ 8	∅ 9	∅ 10	∅ 11	∅ 12	∅ 13	∅ 14
L	2B	3B	4B	5B	6B	7B	8B	9B	10B	11B	12B	13B	14B	

EX.: 1A, 2A, ETC. = LOOP NO.'S

FS = FLASH SENSE
 ST = STOP TIME

⊗ Wired Input - Do not populate slot with detector card

INPUT FILE CONNECTION & PROGRAMMING CHART

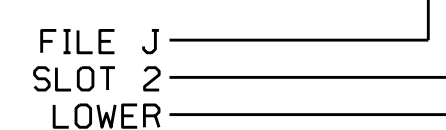
LOOP NO.	LOOP TERMINAL	INPUT FILE POS.	PIN NO.	DETECTOR NO.	NEMA PHASE	CALL	EXTEND TIME	DELAY TIME	DETECTOR TYPE
1A ¹	TB2-1,2	I1U	56	1	1	YES		15	S
2A	TB2-5,6	I2U	39	2	2	YES			S
2B	TB2-7,8	I2L	43	2	2	YES			S
5A ²	TB3-1,2	J1U	55	5	5	YES		15	S
6A	TB3-5,6	J2U	40	6	6	YES			S
6B	TB3-7,8	J2L	44	6	6	YES			S
8A	TB5-9,10	J6U	42	8	8	YES		3	S
8B	TB5-11,12	J6L	46	8	8	YES		10	S
PED PUSH BUTTONS									
P21,P22	TB8-4,6	I12U	67	PED 2	2 PED				
P41,P42	TB8-5,6	I12L	69	PED 4	4 PED				
P61,P62	TB8-7,9	I13U	68	PED 6	6 PED				
P81,P82	TB8-8,9	I13L	70	PED 8	8 PED				

NOTE:
 INSTALL DC ISOLATORS IN INPUT FILE SLOTS 112 AND 113.

¹Add jumper from I1-W to J4-W, on rear of input file.

²Add jumper from J1-W to I4-W, on rear of input file.

INPUT FILE POSITION LEGEND: J2L

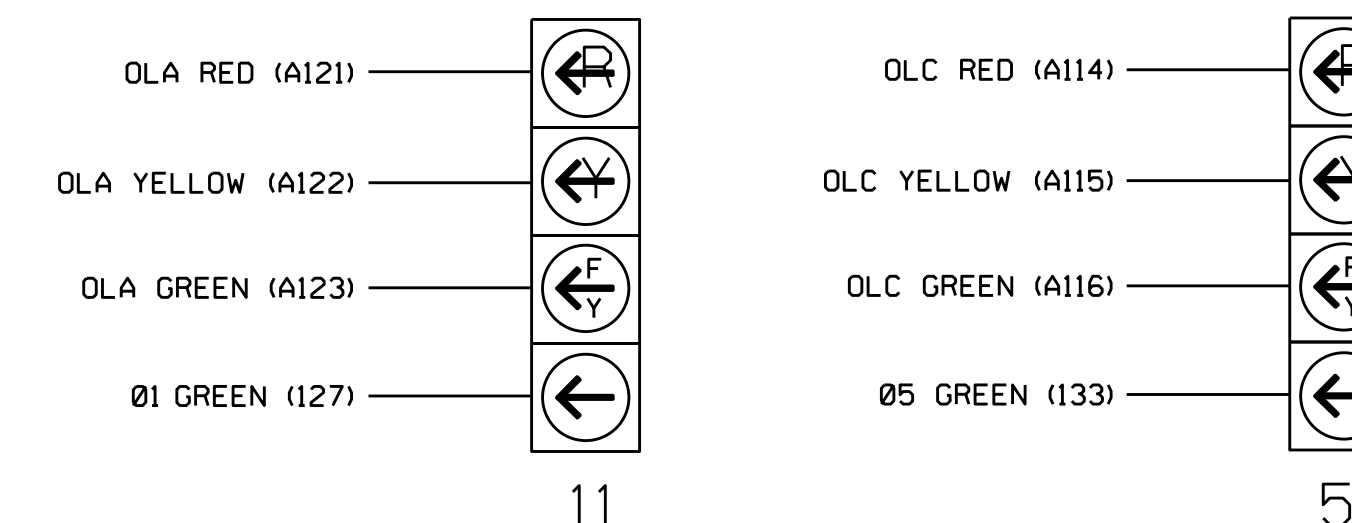


SPECIAL DETECTOR NOTE

Install a video detection system for detection zone 4A. Perform installation according to manufacturer's directions and NCDOT engineer-approved mounting locations to accomplish the detection scheme shown on the Signal Design Plans.

FYA SIGNAL WIRING DETAIL

(wire signal heads as shown)

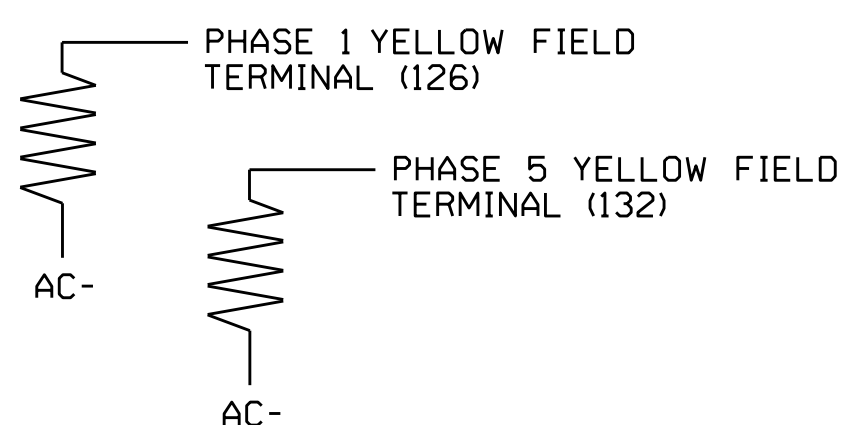


THIS ELECTRICAL DETAIL IS FOR THE SIGNAL DESIGN: 06-1210
 DESIGNED: January 2016
 SEALED: 6/16/2016
 REVISED: N/A

LOAD RESISTOR INSTALLATION DETAIL

(install resistors as shown below)

VALUE (ohms)	WATTAGE
1.5K - 1.9K	25W (min)
2.0K - 3.0K	10W (min)



Electrical Detail - Sheet 1 of 2

DOCUMENT NOT CONSIDERED FINAL UNLESS ALL SIGNATURES COMPLETED

Electrical and Programming Details for: SR 3828 (Bragg Boulevard) at SR 3825 (Walter St)/Schwarzkopf

Prepared in the Offices of: Transportation Mobility and Safety Solutions, Inc. (North Carolina Professional Engineer Seal: Keith M. Mims, 036880)

Division 6, Cumberland County, Fayetteville

PLAN DATE: June 2016, REVIEWED BY: BAS

PREPARED BY: S. Armstrong, REVIEWED BY:

REVISIONS, INIT., DATE

DocuSigned by: Keith M. Mims, 7/8/2016

750 N. Greenfield Pkwy, Garner, NC 27529

SIG. INVENTORY NO. 06-1210