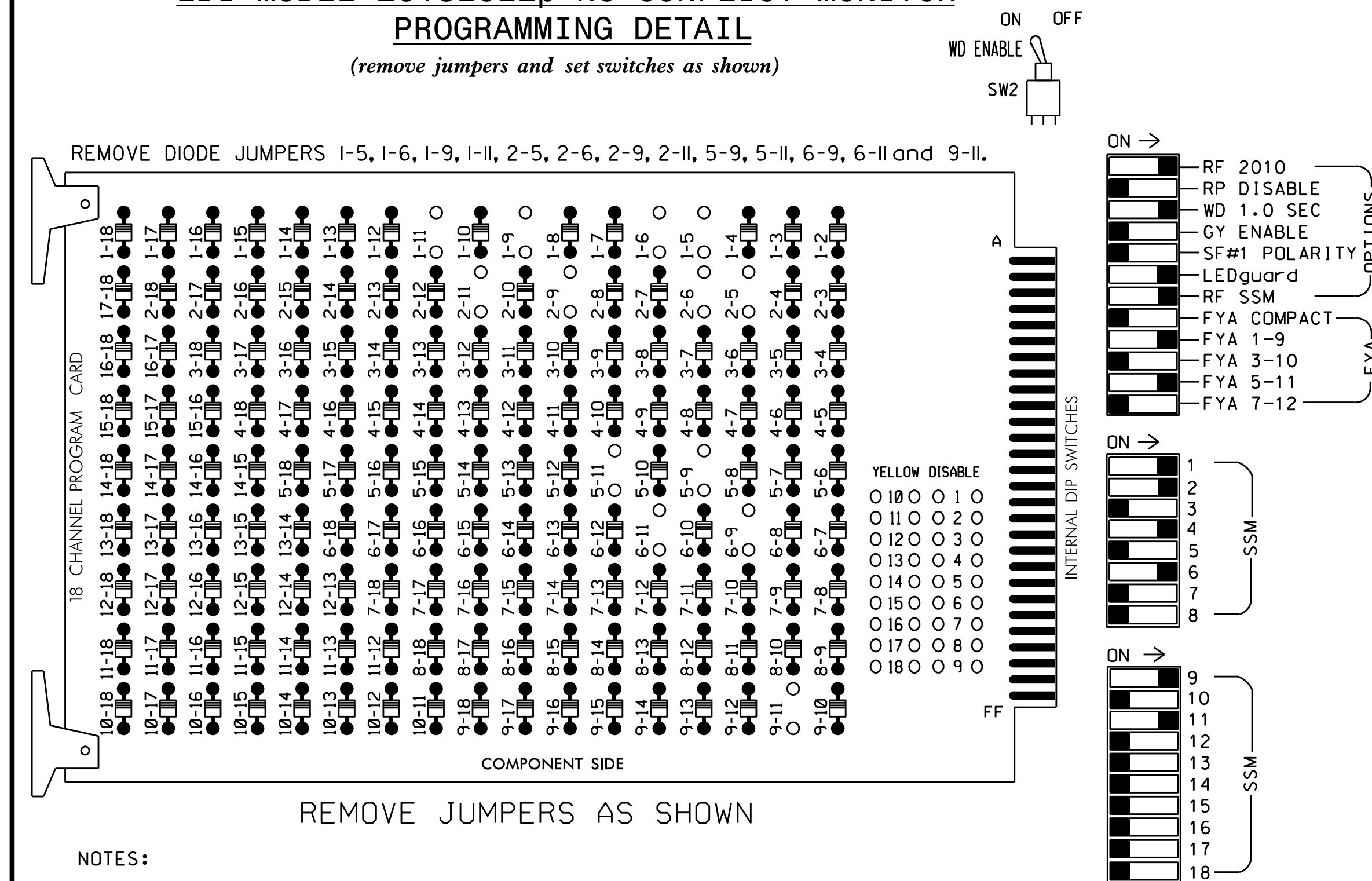


EDI MODEL 2018ECLIP-NC CONFLICT MONITOR PROGRAMMING DETAIL

(remove jumpers and set switches as shown)



REMOVE JUMPERS AS SHOWN

NOTES:

- Card is provided with all diode jumpers in place. Removal of any jumper allows its channels to run concurrently.
- Ensure jumpers SEL2-SEL5 and SEL9 are present on the monitor board.
- Ensure that Red Enable is active at all times during normal operation.
- Integrate monitor with Ethernet network in cabinet.

■ = DENOTES POSITION OF SWITCH

NOTES

- To prevent "flash-conflict" problems, insert red flash program blocks for all unused vehicle load switches in the output file. The installer shall verify that signal heads flash in accordance with the Signal Plans.
- Enable Simultaneous Gap-Out for all phases.
- Program phases 2 and 6 for volume density operation.
- Program controller to start up in phase 2 Green and 6 Green.
- The cabinet and controller are part of the Fayetteville Signal System.

EQUIPMENT INFORMATION

CONTROLLER.....2070E
 CABINET.....332 W/AUX
 SOFTWARE.....ECONOLITE ASC/3-2070
 CABINET MOUNT.....BASE
 OUTPUT FILE POSITIONS...18 WITH AUX. OUTPUT FILE
 LOAD SWITCHES USED.....S1,S2,S5,S7,S8,AUX S1,AUX S4
 PHASES USED.....1,2,4,5,6
 OVERLAP "A".....*
 OVERLAP "B".....NOT USED
 OVERLAP "C".....*
 OVERLAP "D".....NOT USED
 * See overlap programming detail on sheet 2

SIGNAL HEAD HOOK-UP CHART

LOAD SWITCH NO.	S1	S2	S3	S4	S5	S6	S7	S8	S9	S10	S11	S12	AUX S1	AUX S2	AUX S3	AUX S4	AUX S5	AUX S6	
CHU CHANNEL NO.	1	2	13	3	4	14	5	6	15	7	8	16	9	10	17	11	12	18	
PHASE	1	2	2 PED	3	4	4 PED	5	6	6 PED	7	8	8 PED	OLA	OLB	SPARE	OLC	OLD	SPARE	
SIGNAL HEAD NO.	11*	42	21,22	NU	NU	22	41,42	NU	51*	61,62	NU	NU	NU	NU	11*	NU	NU	51*	NU
RED	*	128			101		134												
YELLOW		129			102		* 135												
GREEN		130			103		136												
RED ARROW													A121					A114	
YELLOW ARROW		126			102								A122					A115	
FLASHING YELLOW ARROW													A123					A116	
GREEN ARROW	127	127			103		133												

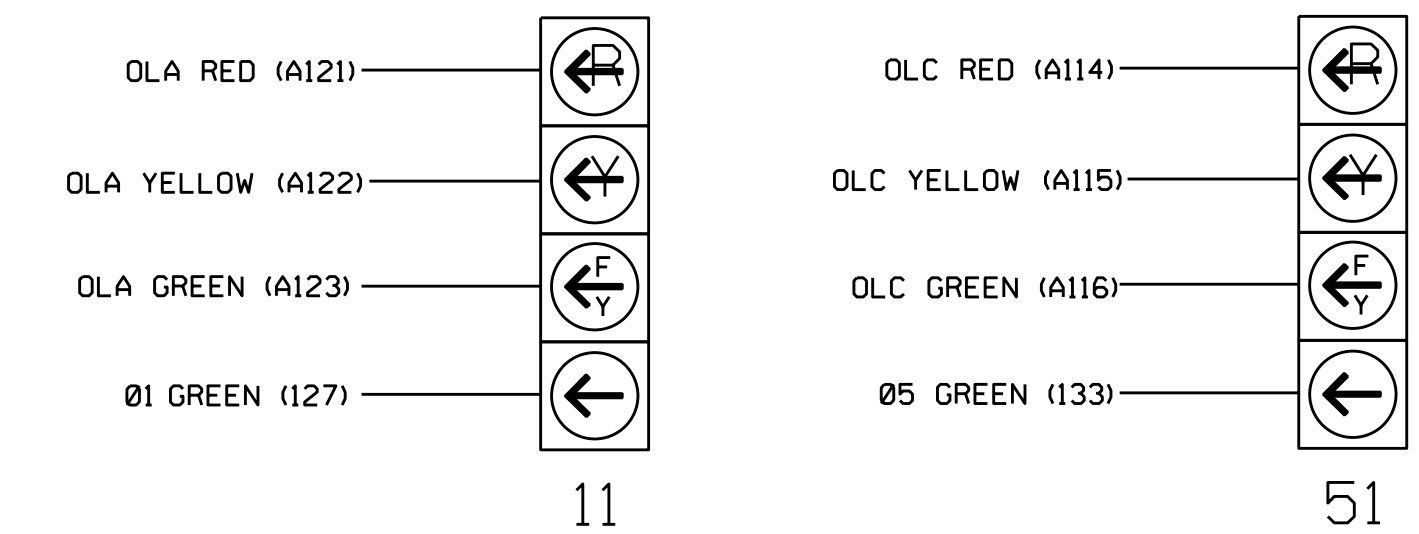
NU = Not Used

* Denotes install load resistor. See load resistor installation detail this sheet.

* See pictorial of head wiring in detail this sheet.

FYA SIGNAL WIRING DETAIL

(wire signal heads as shown)



INPUT FILE POSITION LAYOUT

(front view)

FILE	1	2	3	4	5	6	7	8	9	10	11	12	13	14	
U	∅ 1	∅ 1	∅ 2	∅ 3	∅ 4	∅ 5	∅ 6	∅ 7	∅ 8	∅ 9	∅ 10	∅ 11	∅ 12	∅ 13	∅ 14
L	1A	1B	2A,2B	3A,3B	4A	5A	6A,6B,6C	7A	8A	9A	10A	11A	12A	13A	14A
U	NOT USED	NOT USED	NOT USED	NOT USED	NOT USED	NOT USED	NOT USED	NOT USED	NOT USED	NOT USED	NOT USED	NOT USED	NOT USED	NOT USED	NOT USED
L	DC ISOLATOR	DC ISOLATOR	DC ISOLATOR	DC ISOLATOR	DC ISOLATOR	DC ISOLATOR	DC ISOLATOR	DC ISOLATOR	DC ISOLATOR	DC ISOLATOR	DC ISOLATOR	DC ISOLATOR	DC ISOLATOR	DC ISOLATOR	DC ISOLATOR

EX.: 1A, 2A, ETC. = LOOP NO.'S

FS = FLASH SENSE
 ST = STOP TIME

⊗ Wired Input - Do not populate slot with detector card

INPUT FILE CONNECTION & PROGRAMMING CHART

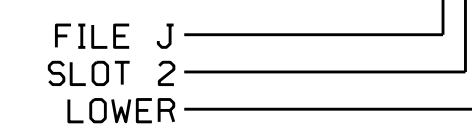
LOOP NO.	LOOP TERMINAL	INPUT FILE POS.	PIN NO.	DETECTOR NO.	NEMA PHASE	CALL	EXTEND TIME	DELAY TIME	DETECTOR TYPE
1A ¹	TB2-1,2	I1U	56	1	1	YES		15	S
		J4U	48	26	6	YES		3	G
1B	TB2-5,6	I2U	39	2	1	YES		15	S
2A,2B	TB2-9,10	I3U	63	32	2	YES			N
4A	TB4-9,10	I6U	41	4	4	YES		3	S
*S2A	TB6-9,10	I9U	60	11	SYS	NO			N
*S2B	TB6-11,12	I9L	62	13	SYS	NO			N
5A ²	TB3-1,2	J1U	55	5	5	YES		15	S
		I4U	47	22	2	YES		3	G
6A,6B,6C	TB3-5,6	J2U	40	6	6	YES			N

* System detector only. Remove any assigned vehicle phase.

¹Add jumper from I1-W to J4-W, on rear of input file.

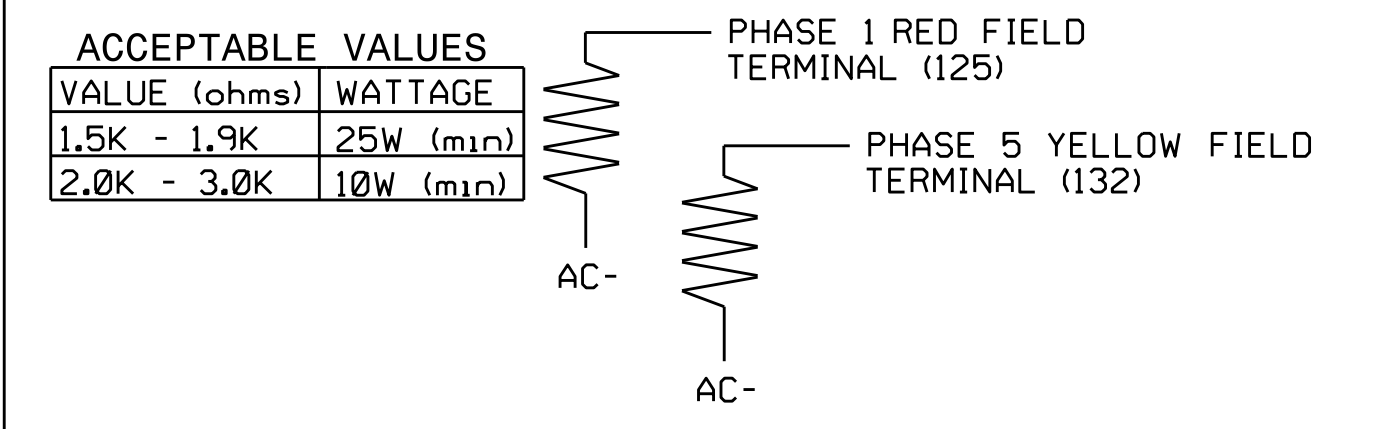
²Add jumper from J1-W to I4-W, on rear of input file.

INPUT FILE POSITION LEGEND: J2L



LOAD RESISTOR INSTALLATION DETAIL

(install resistors as shown)



Electrical Detail Sheet 1 of 2

DOCUMENT NOT CONSIDERED FINAL UNLESS ALL SIGNATURES COMPLETED

Electrical and Programming Details for: US 401 Business (Ramsey St.) at US 401 Business (MLK Jr. Freeway) On Ramp / Builders Blvd.

Division 6 Cumberland County Fayetteville

PLAN DATE: April 2016 REVIEWED BY: DTJ

PREPARED BY: James Peterson REVIEWED BY:

REVISIONS: INIT. DATE

750 N. Greenfield Pkwy, Garner, NC 27529

Seal of North Carolina Professional Engineer Keith M. Miras

DocuSigned by: Keith M. Miras 5/25/2016

SIG. INVENTORY NO. 06-1193