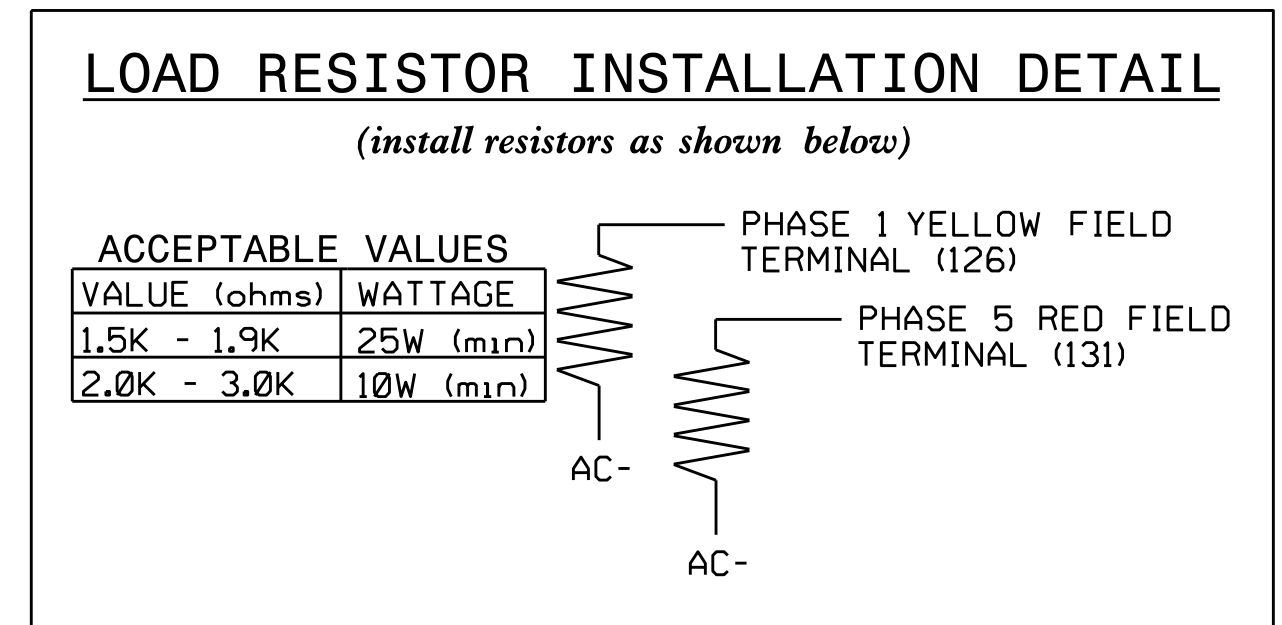
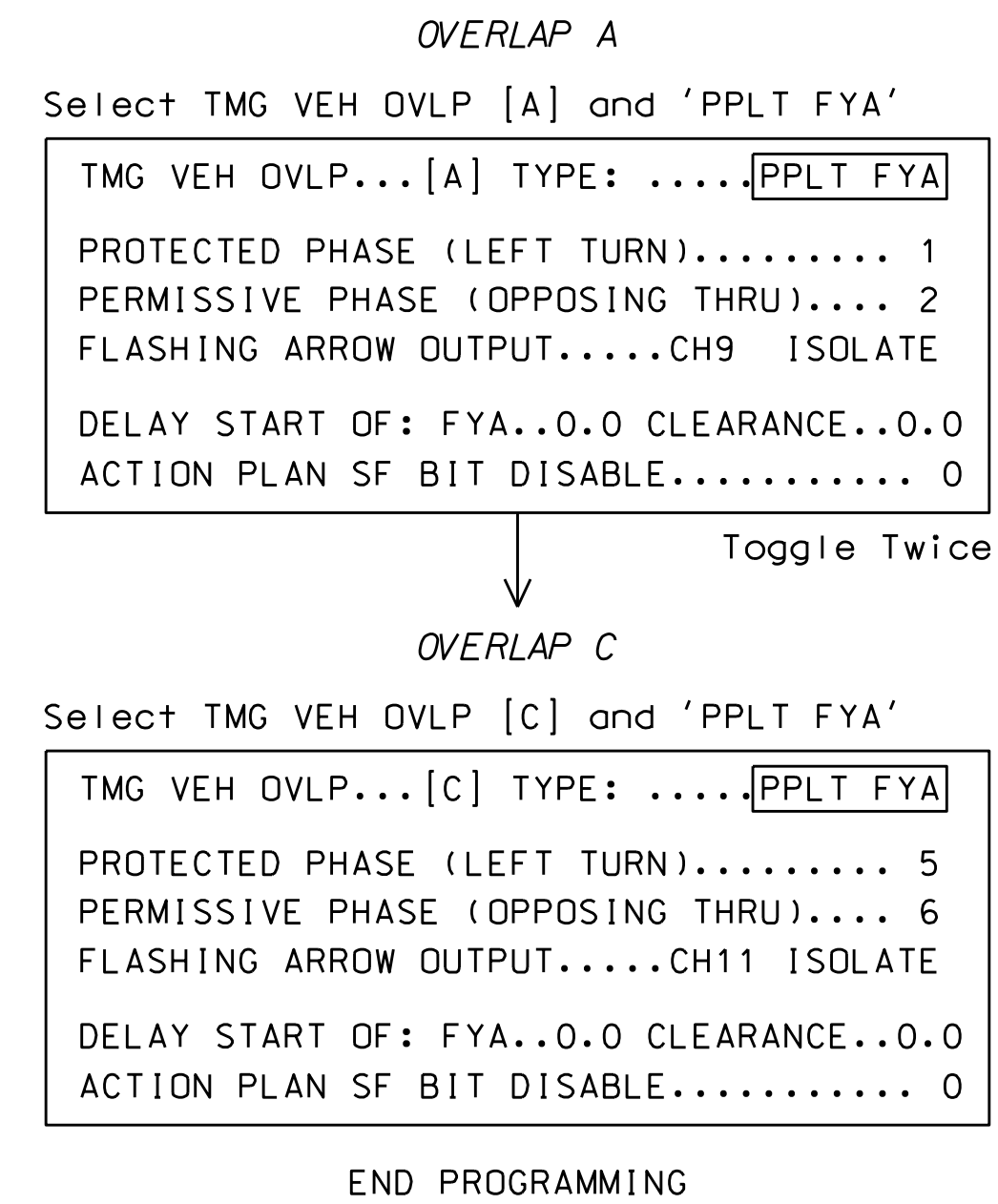


ECONOLITE ASC/3-2070 OVERLAP PROGRAMMING DETAIL

(program controller as shown)

1. From Main Menu select 2. CONTROLLER
2. From CONTROLLER Submenu select 2. VEHICLE OVERLAPS



THIS ELECTRICAL DETAIL IS FOR
 THE SIGNAL DESIGN: 06-1139
 DESIGNED: December 2015
 SEALED: 6/14/2016
 REVISED:

Electrical Detail - Sheet 2 of 2

<p style="font-size: small;">ELECTRICAL AND PROGRAMMING DETAILS FOR:</p> <p style="font-size: x-small;">Prepared In the Offices of:</p> <p style="font-size: x-small;">750 N. Greenfield Pkwy, Garner, NC 27529</p>	<p>US 401 (Ramsey Street) at Kinlaw Road/Aloha Drive and Ridgeway Drive</p> <p style="font-size: x-small;">Division 6 Cumberland County Fayetteville</p> <p>PLAN DATE: June 2016 REVIEWED BY: BAS</p> <p>PREPARED BY: C. Strickland REVIEWED BY:</p>	<p style="text-align: center;">SEAL</p> <p style="font-size: x-small;">DocuSigned by: <i>Cary M. Little</i> 6/17/2016 0021EFD4F5841F DATE</p> <p style="font-size: x-small;">SIG. INVENTORY NO. 06-1139</p>
---	--	---

I:\Users\cstrickland\Documents\Projects\Signal Management\061139-sm-le-xxx.dgn