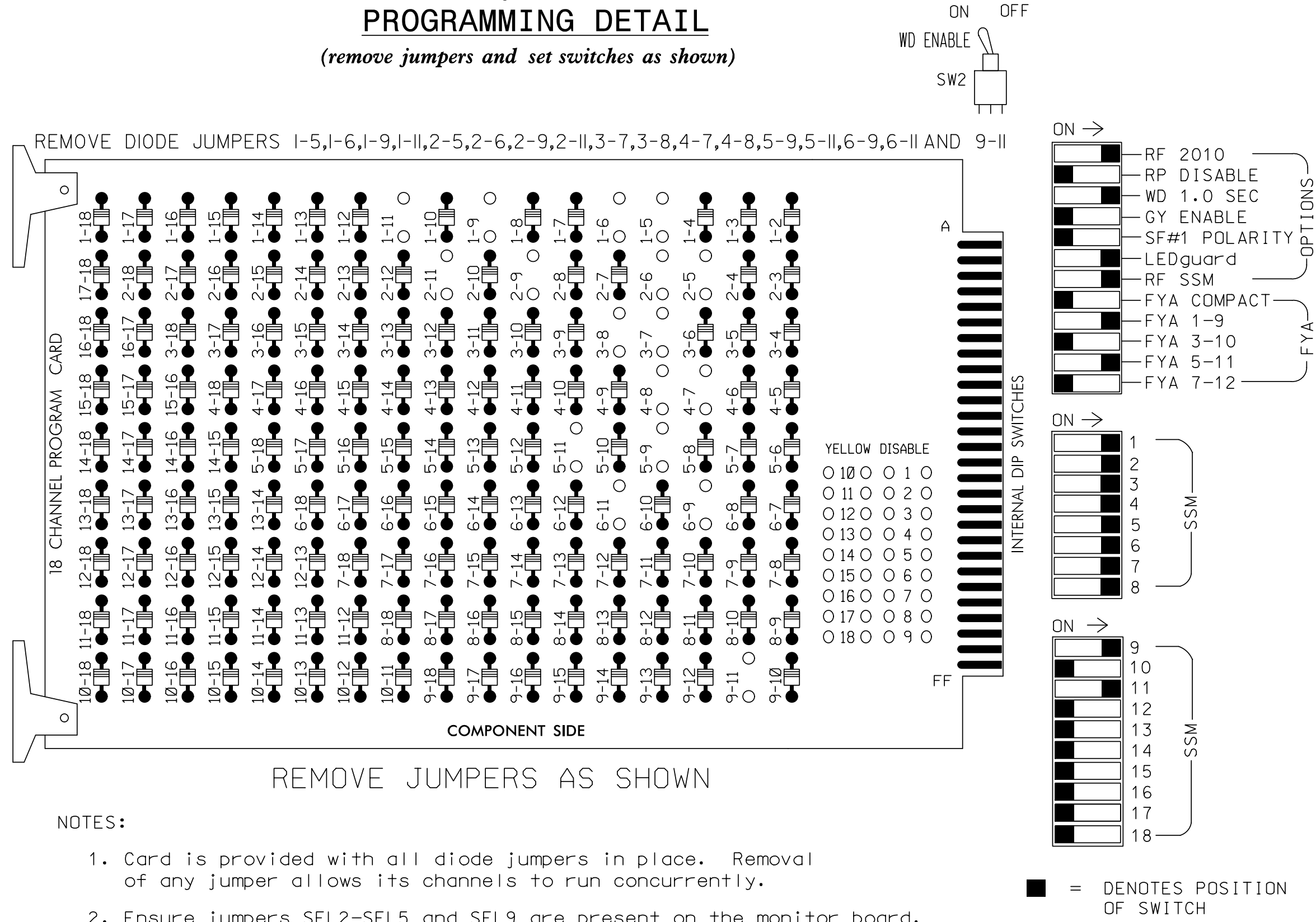


EDI MODEL 2018EClip-NC CONFLICT MONITOR PROGRAMMING DETAIL

(remove jumpers and set switches as shown)



- REMOVE JUMPERS AS SHOWN
- NOTES:
- Card is provided with all diode jumpers in place. Removal of any jumper allows its channels to run concurrently.
 - Ensure jumpers SEL2-SEL5 and SEL9 are present on the monitor board.
 - Ensure that Red Enable is active at all times during normal operation.
 - Integrate monitor with Ethernet network in cabinet.

NOTES

- To prevent "flash-conflict" problems, insert red flash program blocks for all unused vehicle load switches in the output file. The installer shall verify that signal heads flash in accordance with the Signal Plans.
- Enable Simultaneous Gap-Out for all phases.
- Program controller to start up in phase 2 Green and 6 Green.
- The cabinet and controller are part of the Fayetteville Signal System.

EQUIPMENT INFORMATION

CONTROLLER.....2070E
 CABINET.....332 W/AUX
 SOFTWARE.....ECONOLITE ASC/3-2070
 CABINET MOUNT.....BASE
 OUTPUT FILE POSITIONS...18 WITH AUX. OUTPUT FILE
 LOAD SWITCHES USED.....S1,S2,S4,S5,S7,S8,S10,S11,AUX S1, AUX S4
 PHASES USED.....1,2,3,4,5,6,7,8
 OVERLAP "A".....*
 OVERLAP "B".....NOT USED
 OVERLAP "C".....*
 OVERLAP "D".....NOT USED
 * See overlap programming detail on sheet 2

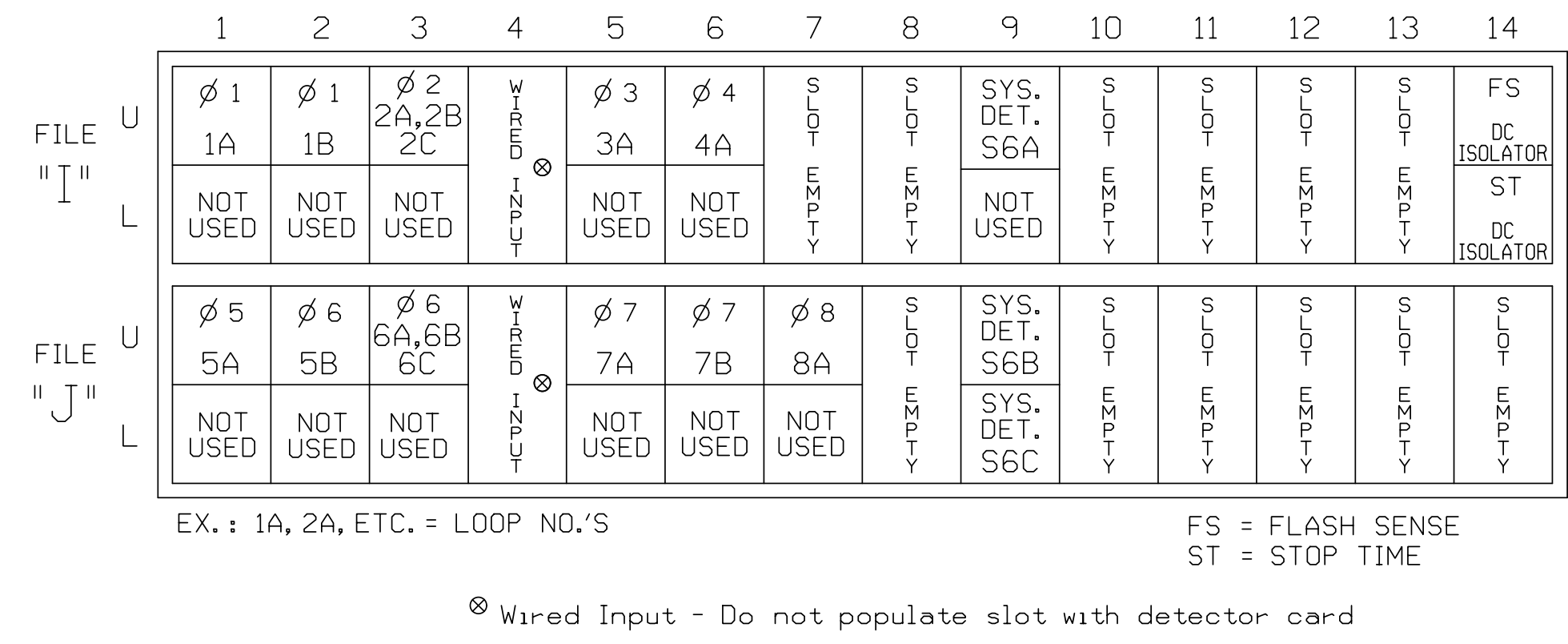
SIGNAL HEAD HOOK-UP CHART

LOAD SWITCH NO.	S1	S2	S3	S4	S5	S6	S7	S8	S9	S10	S11	S12	AUX S1	AUX S2	AUX S3	AUX S4	AUX S5	AUX S6			
CNU CHANNEL NO.	1	2	13	3	4	14	5	6	15	7	8	16	9	10	17	11	12	18			
PHASE	1	2	2 PED	3	4	4 PED	5	6	6 PED	7	8	8 PED	OLA	OLB	SPARE	OLC	OLD	SPARE			
SIGNAL HEAD NO.	11*	82	21,22 23	NU	23	31	41,42	NU	42	51*	61,62	NU	71,72	81,82	NU	11*	NU	51*	NU		
RED	*	128				101			*	134		107									
YELLOW		129				102				135		108									
GREEN		130				103				136		109									
RED ARROW						116													A121	A114	
YELLOW ARROW	126					117	117			132									A122	A115	
FLASHING YELLOW ARROW																			A123	A116	
GREEN ARROW	127	127				118	118			133	133										124

NU = Not Used
 * Denotes install load resistor. See load resistor installation detail this sheet.
 * See pictorial of head wiring in detail this sheet.

INPUT FILE POSITION LAYOUT

(front view)



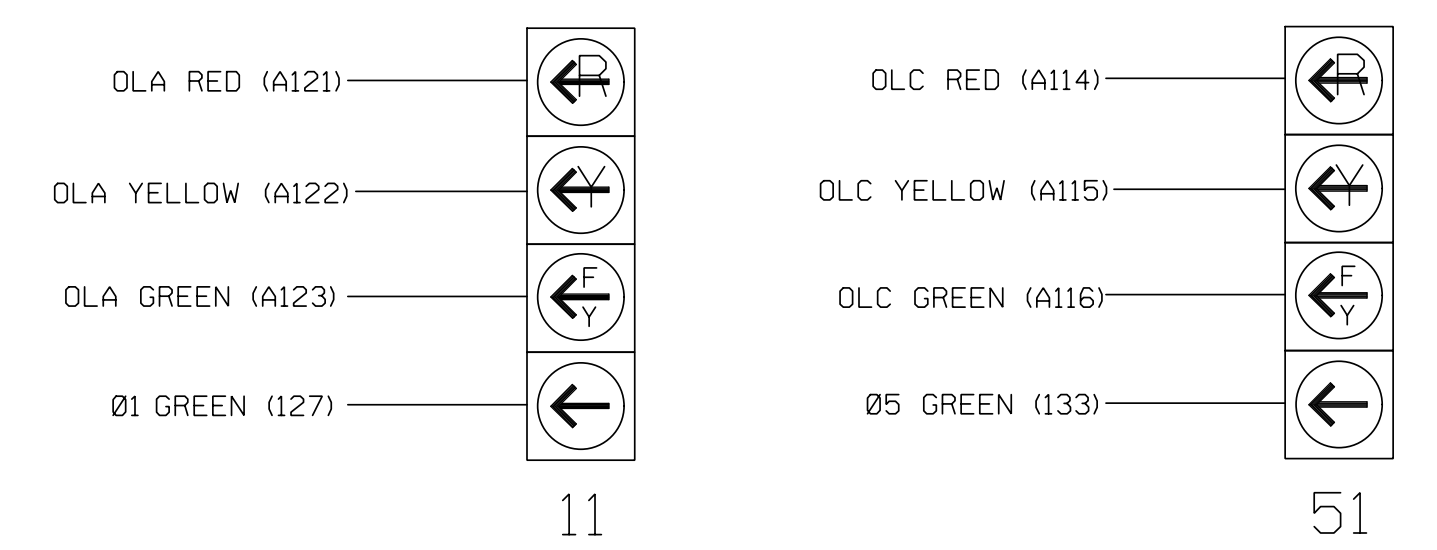
INPUT FILE CONNECTION & PROGRAMMING CHART

LOOP NO.	LOOP TERMINAL	INPUT FILE POS.	PIN NO.	DETECTOR NO.	NEMA PHASE	CALL	EXTEND TIME	DELAY TIME	DETECTOR TYPE
1A ¹	TB2-1,2	I1U	56	1	1	YES		15	S
1B	TB2-5,6	I2U	48	26	6	YES			S
2A, 2B, 2C	TB2-9,10	I3U	39	2	1	YES		15	S
3A	TB4-5,6	I5U	63	32	2	YES			S
4A	TB4-9,10	I6U	58	3	3	YES			S
5A ²	TB3-1,2	J1U	41	4	4	YES			S
	-	I4U	55	5	5	YES		15	S
5B	TB3-5,6	J2U	47	22	2	YES			S
6A, 6B, 6C	TB3-9,10	J3U	40	6	5	YES		15	S
7A	TB5-5,6	J5U	64	36	6	YES			S
7B	TB5-9,10	J6U	57	7	7	YES			S
8A	TB7-1,2	J7U	42	8	7	YES			S
*S6A	TB6-9,10	I9U	66	38	8	YES			S
*S6B	TB7-9,10	J9U	60	11	SYS	NO			N
*S6C	TB7-11,12	J9L	59	15	SYS	NO			N
			61	17	SYS	NO			N

- Add jumper from I1-W to J4-W, on rear of input file.
 - Add jumper from J1-W to I4-W, on rear of input file.
- * System detector only. Remove any assigned vehicle phase.

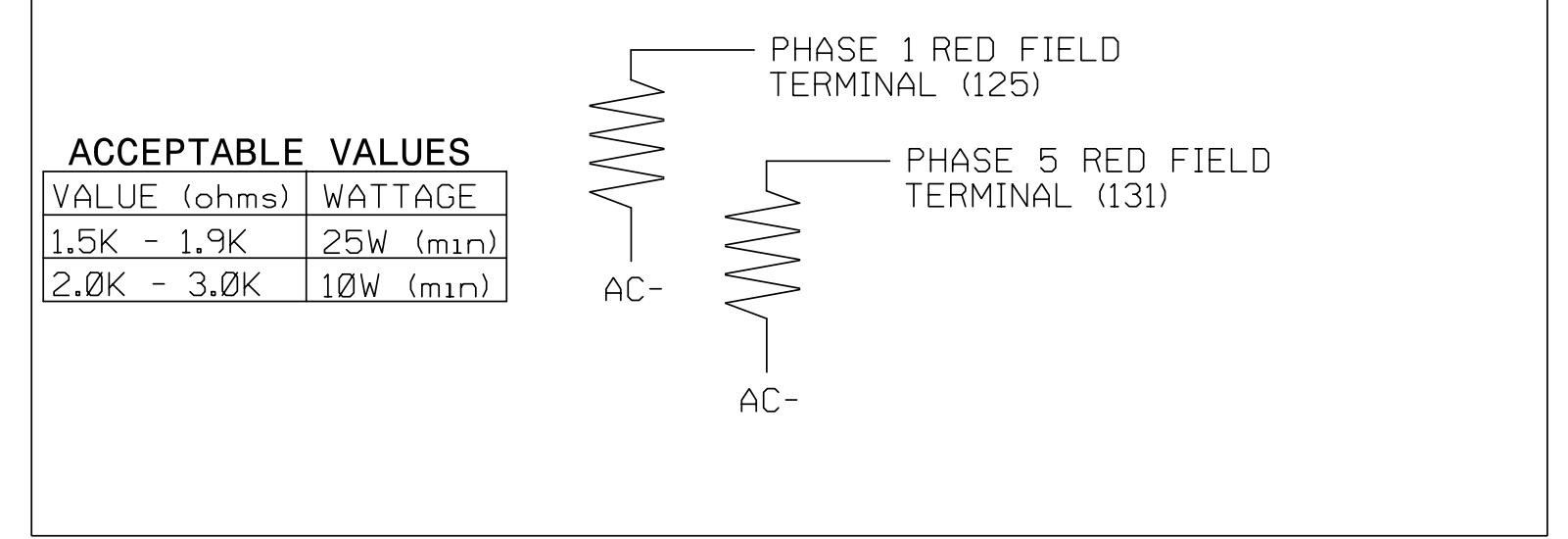
FYA SIGNAL WIRING DETAIL

(wire signal heads as shown)

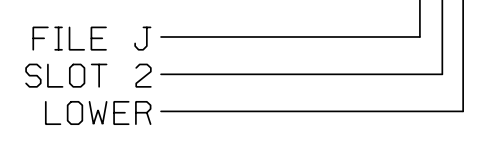


LOAD RESISTOR INSTALLATION DETAIL

(install resistors as shown)



INPUT FILE POSITION LEGEND: J2L



THIS ELECTRICAL DETAIL IS FOR THE SIGNAL DESIGN: 06-0530
 DESIGNED: January 2016
 SEALED: 7/20/2016
 REVISED:

Electrical Detail Sheet 1 of 2

DOCUMENT NOT CONSIDERED FINAL UNLESS ALL SIGNATURES COMPLETED

Prepared For: **Kimley-Horn**

PLANS PREPARED IN THE OFFICE OF: **Kimley-Horn**
 NC License #F-0102
 421 Fayetteville Street, Suite 600
 Raleigh, NC 27601
 (919) 677-2000

SR 1404 (Morganton Road) at Cross Creek Mall/ Cross Point Centre

Division 6 Cumberland County Fayetteville

PLAN DATE: August 2016 REVIEWED BY: SL Phillips

PREPARED BY: SP Pennington REVIEWED BY: KP Baumann

REVISIONS: INIT. DATE

9/22/2016

SIG. INVENTORY NO. 06-0530