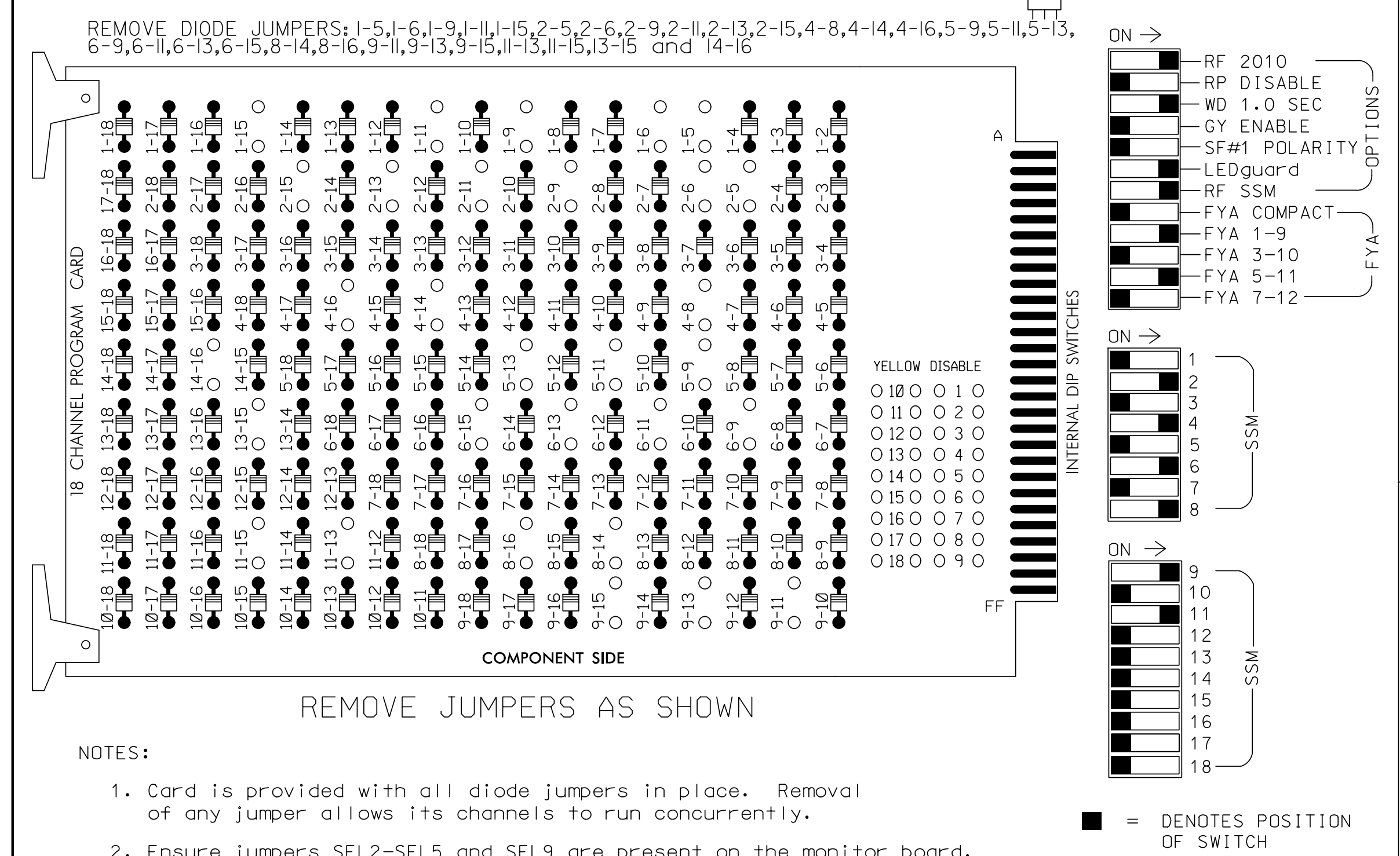


EDI MODEL 2018ECLIP-NC CONFLICT MONITOR PROGRAMMING DETAIL

(remove jumpers and set switches as shown)



- REMOVE JUMPERS AS SHOWN
- NOTES:
- Card is provided with all diode jumpers in place. Removal of any jumper allows its channels to run concurrently.
 - Ensure jumpers SEL2-SEL5 and SEL9 are present on the monitor board.
 - Ensure that Red Enable is active at all times during normal operation.
 - Integrate monitor with Ethernet network in cabinet.

NOTES

- To prevent "flash-conflict" problems, insert red flash program blocks for all unused vehicle load switches in the output file. The installer shall verify that signal heads flash in accordance with the Signal Plans.
- Program phases 4 and 8 for Dual Entry.
- Enable Simultaneous Gap-Out for all phases.
- Program controller to start up in phase 2 Walk and 6 Walk.
- The cabinet and controller are part of the Fayetteville Signal System.

EQUIPMENT INFORMATION

CONTROLLER.....2070E
 CABINET.....332 W/AUX
 SOFTWARE.....ECONOLITE ASC/3-2070
 CABINET MOUNT.....BASE
 OUTPUT FILE POSITIONS...18 WITH AUX. OUTPUT FILE
 LOAD SWITCHES USED.....S1,S2,S3,S5,S6,S7,S8,S9,S11,S12,
 AUX S1,AUX S4
 PHASES USED.....1,2,2PED,4,4PED,5,6,6PED,8,8PED
 OVERLAP "A".....*
 OVERLAP "B".....NOT USED
 OVERLAP "C".....*
 OVERLAP "D".....NOT USED
 * See overlap programming detail on sheet 2

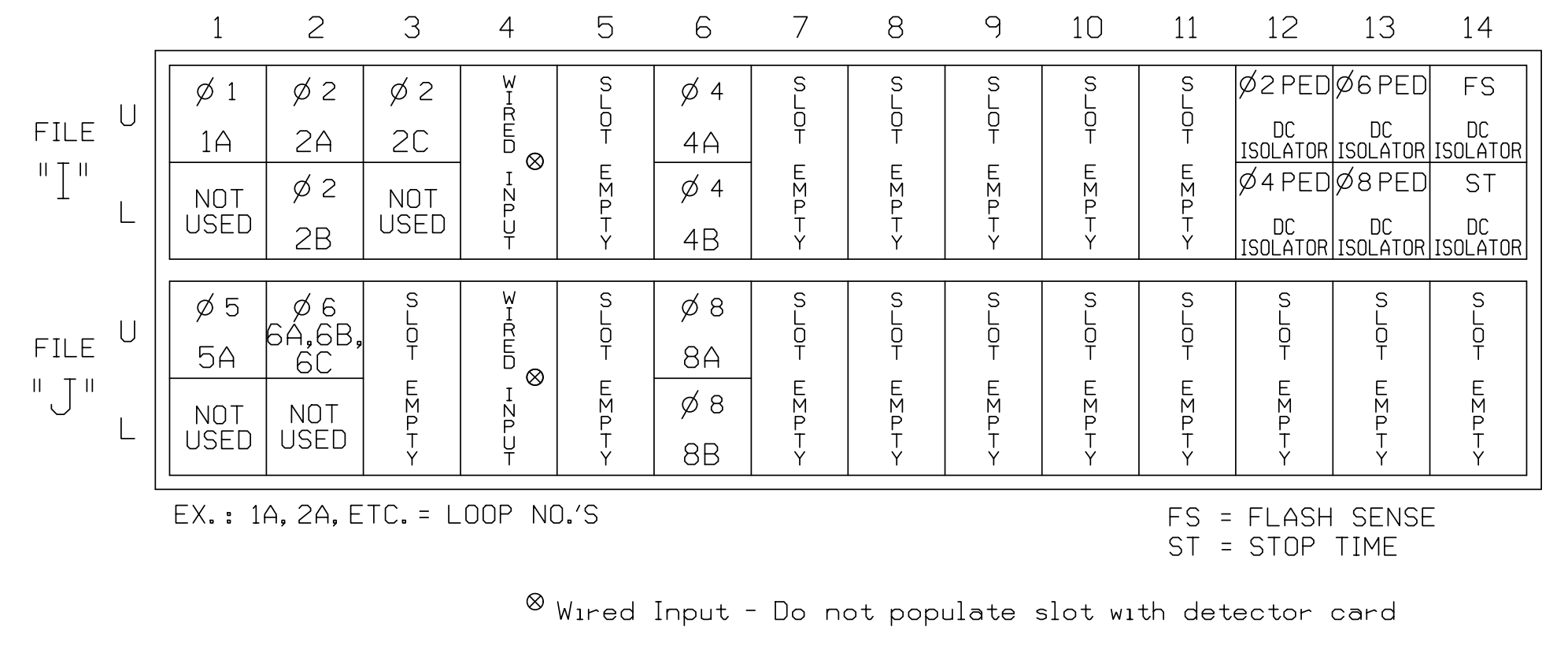
SIGNAL HEAD HOOK-UP CHART

LOAD SWITCH NO.	S1	S2	S3	S4	S5	S6	S7	S8	S9	S10	S11	S12	AUX S1	AUX S2	AUX S3	AUX S4	AUX S5	AUX S6
CMU CHANNEL NO.	1	2	13	3	4	14	5	6	15	7	8	16	9	10	17	11	12	18
PHASE	1	2	2 PED	3	4	4 PED	5	6	6 PED	7	8	8 PED	OLA	OLB	SPARE	OLC	OLD	SPARE
SIGNAL HEAD NO.	11	21,22	P21, P22	NU	41,42	P41, P42	51	61,62	P61, P62	NU	81,82	P81, P82	11	NU	NU	51	NU	NU
RED	128			101				134		107								
YELLOW	*	129		102		*	135		108									
GREEN		130		103			136		109									
RED ARROW													A121			A114		
YELLOW ARROW													A122			A115		
FLASHING YELLOW ARROW													A123			A116		
GREEN ARROW	127						133											
Hand			113			104		119		110								
Foot			115			106		121		112								

NU = Not Used
 * Denotes install load resistor. See load resistor installation detail this sheet.
 ★ See pictorial of head wiring in detail this sheet.

INPUT FILE POSITION LAYOUT

(front view)

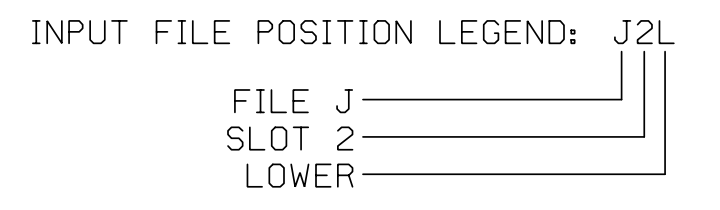


INPUT FILE CONNECTION & PROGRAMMING CHART

LOOP NO.	LOOP TERMINAL	INPUT FILE POS.	PIN NO.	DETECTOR NO.	NEMA PHASE	CALL	EXTEND TIME	DELAY TIME	DETECTOR TYPE
1A ¹	TB2-1,2	I1U	56	1	1	YES		15	S
2A	TB2-5,6	I2U	39	2	2	YES			S
2B	TB2-7,8	I2L	43	12	2	YES			S
2C	TB2-9,10	I3U	63	32	2	YES			S
4A	TB4-9,10	I6U	41	4	4	YES		3	S
4B	TB4-11,12	I6L	45	14	4	YES		10	S
5A ²	TB3-1,2	J1U	55	5	5	YES		15	S
		I4U	47	22	2	YES			S
6A,6B,6C	TB3-5,6	J2U	40	6	6	YES			S
8A	TB5-9,10	J6U	42	8	8	YES		3	S
8B	TB5-11,12	J6L	46	18	8	YES		10	S
PED PUSH BUTTONS									
P21,P22	TB8-4,6	I12U	67	PED 2	2	PED			
P41,P42	TB8-5,6	I12L	69	PED 4	4	PED			
P61,P62	TB8-7,9	I13U	68	PED 6	6	PED			
P81,P82	TB8-8,9	I13L	70	PED 8	8	PED			

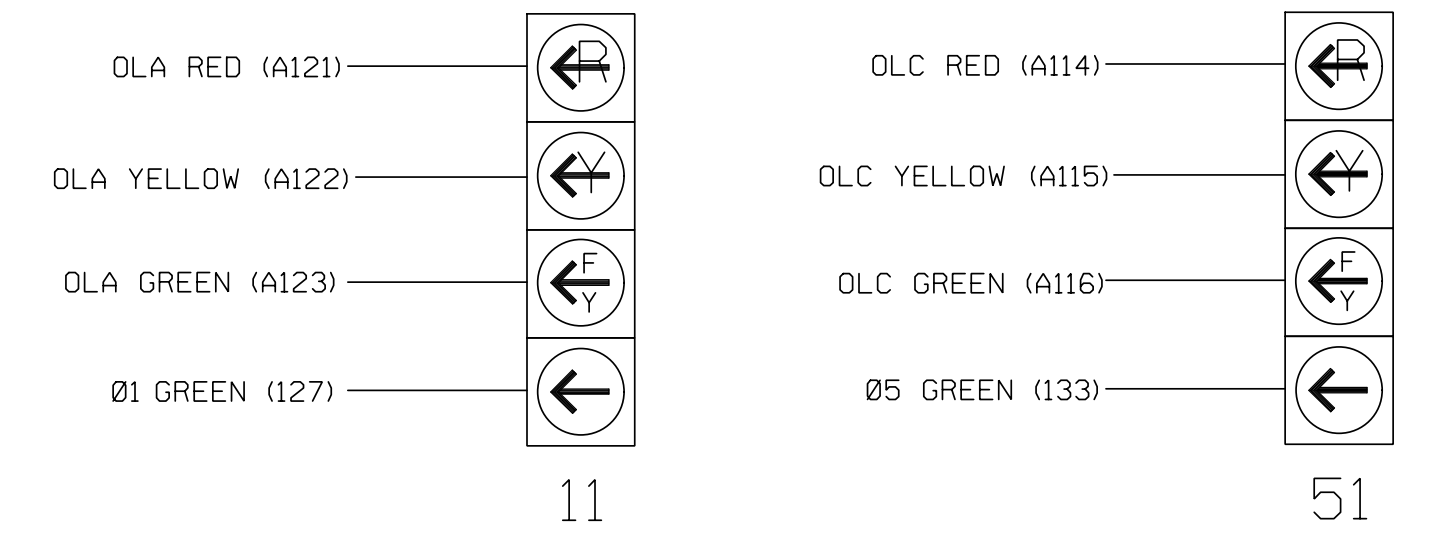
NOTE:
 INSTALL DC ISOLATORS IN INPUT FILE SLOTS 112 AND 113.

- Add jumper from I1-W to J4-W, on rear of input file.
- Add jumper from J11-W to I4-W, on rear of input file.



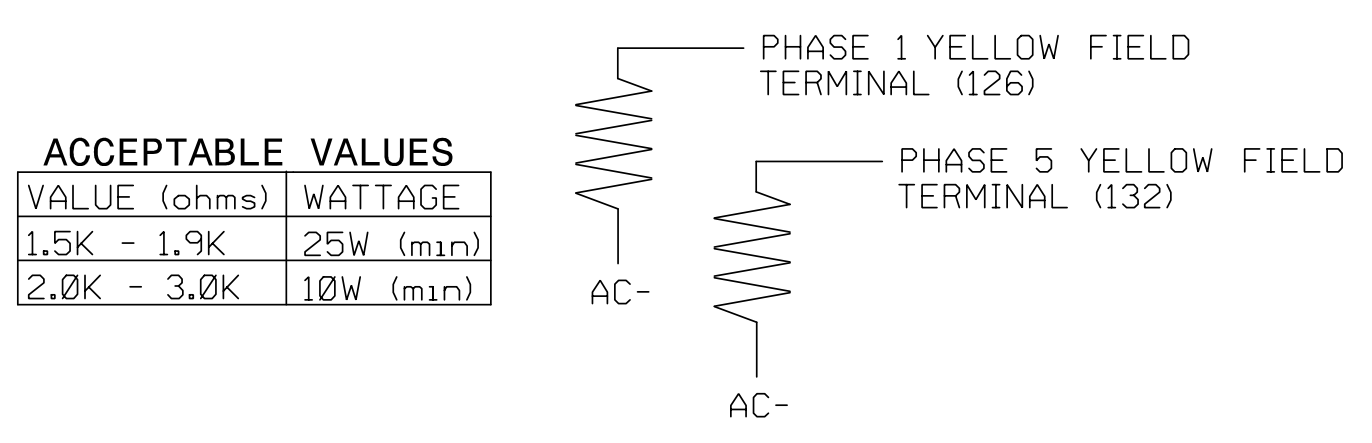
FYA SIGNAL WIRING DETAIL

(wire signal heads as shown)



LOAD RESISTOR INSTALLATION DETAIL

(install resistors as shown)



Electrical Detail Sheet 1 of 2

DOCUMENT NOT CONSIDERED FINAL UNLESS ALL SIGNATURES COMPLETED

Prepared For: **Kimley-Horn**

PLANS PREPARED IN THE OFFICE OF:
Kimley-Horn
 NC License #F-0102
 421 Fayetteville Street, Suite 600
 Raleigh, NC 27601
 (919) 677-2000

NC 24-210 (Grove Street) at Ann Street

Division 6 Cumberland County Fayetteville

PLAN DATE: June 2016 REVIEWED BY: SL Phillips

PREPARED BY: SP Pennington REVIEWED BY: KB Baumann

REVISIONS: INIT. DATE

7/14/2016

SIG. INVENTORY NO. 06-0218