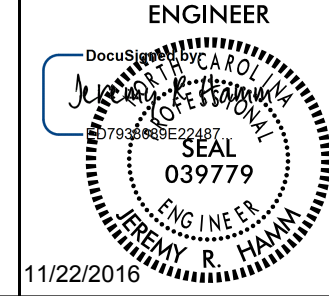

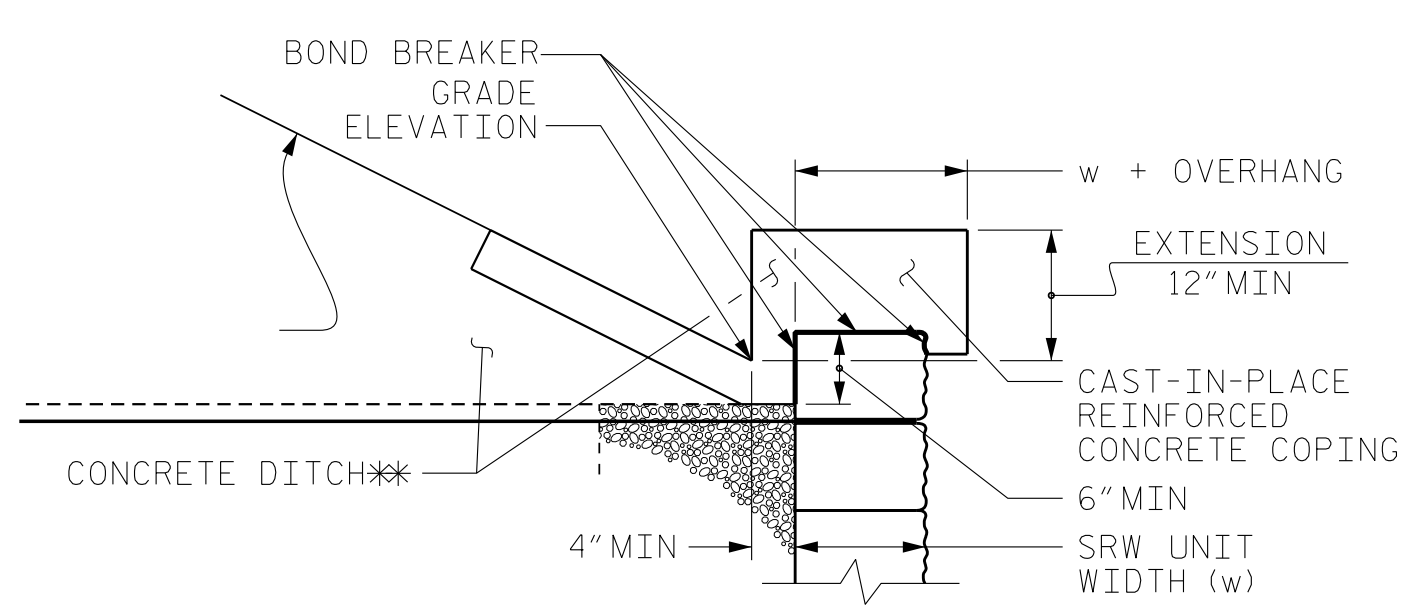
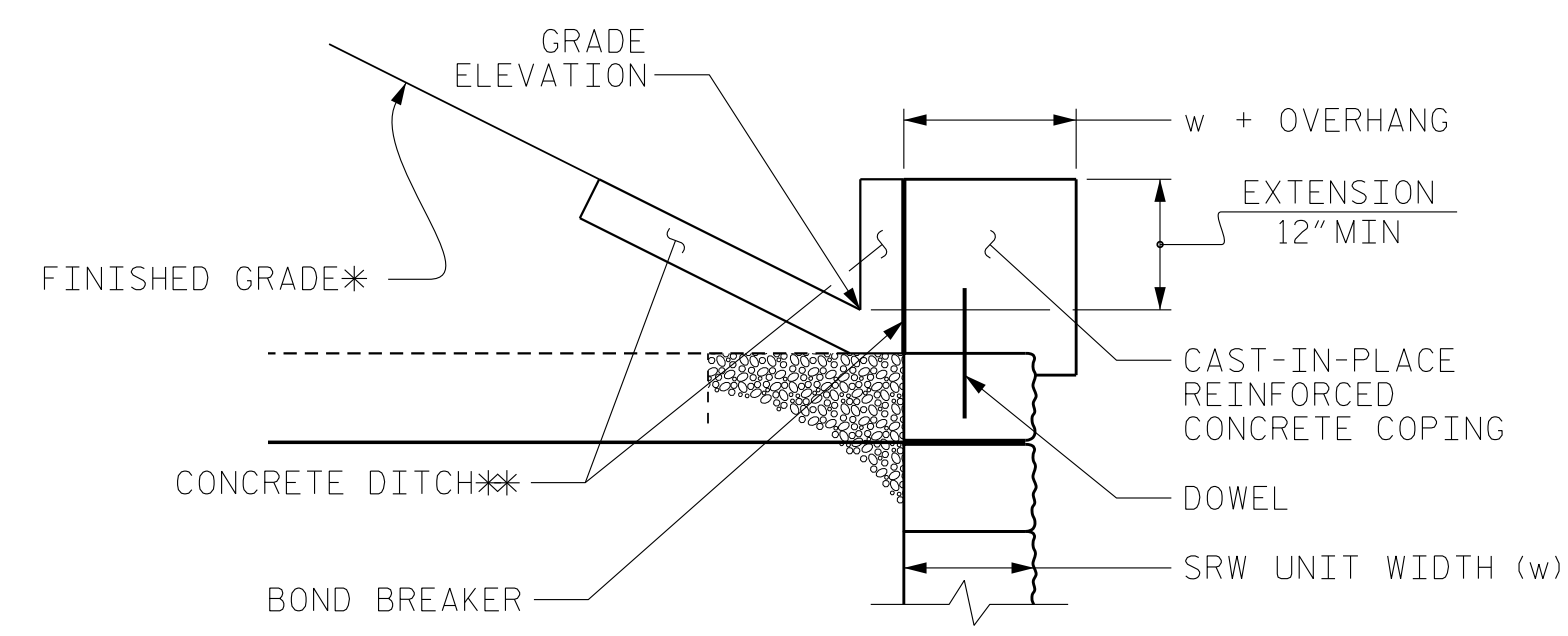
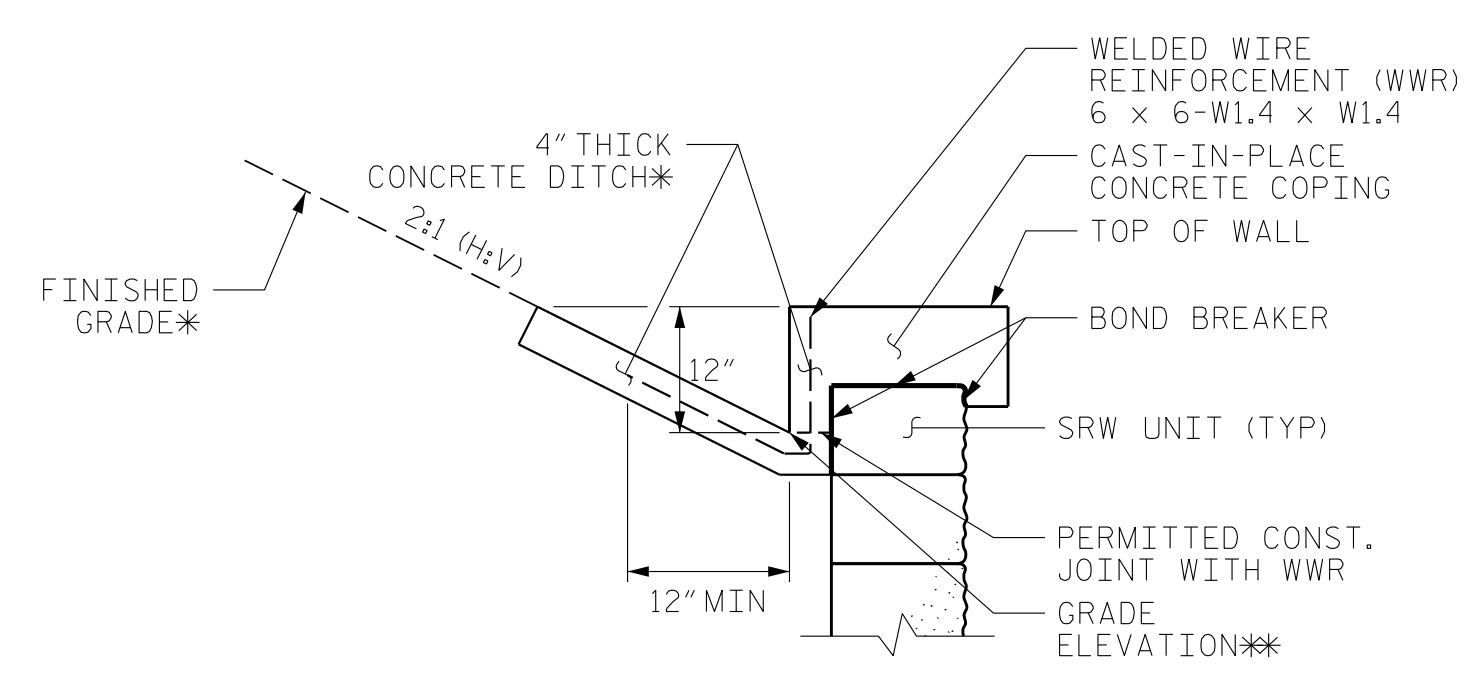
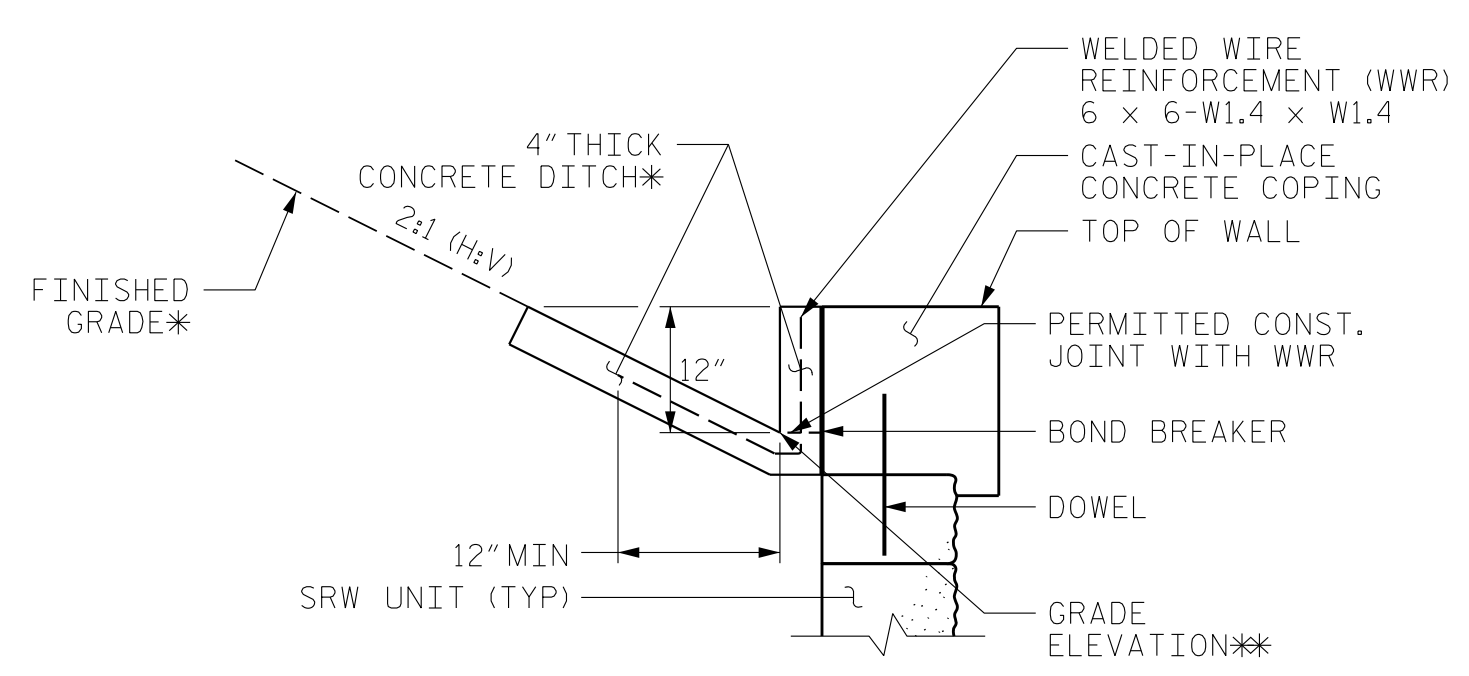


PROJECT REFERENCE NO. <i>U-4910B</i>	SHEET NO. <i>W-4</i>
RW SHEET NO.	
GEOTECHNICAL ENGINEER  11/22/2016	
Prepared in the Office of:  FALCON ENGINEERING FALCON ENGINEERING, INC. LICENSE C-3193 1210 TRINITY ROAD, SUITE 110 RALEIGH, NC 27607 PHONE: 919.871.0800 FAX: 919.871.0803	
DOCUMENT NOT CONSIDERED FINAL UNLESS ALL SIGNATURES COMPLETED	



COPING DETAILS

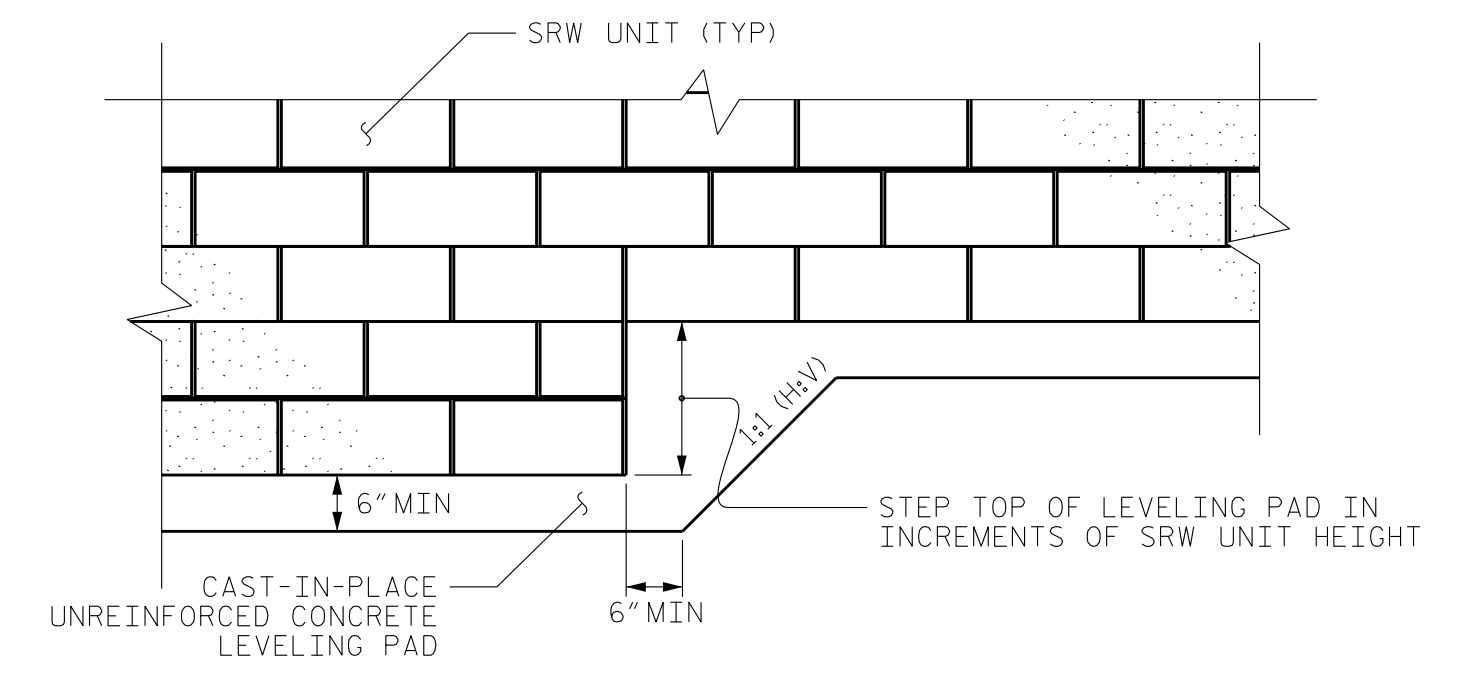
AT THE CONTRACTOR'S OPTION, CONNECT COPING TO SRW UNITS WITH DOWELS OR EXTEND COPING DOWN BACK OF SRW UNITS.
 *SEE PLANS FOR FINISHED GRADE OR END BENT SLOPE DETAILS.
 **SEE CONCRETE DITCH BEHIND WALL DETAILS.



CONCRETE DITCH BEHIND WALL WITH CONCRETE COPING

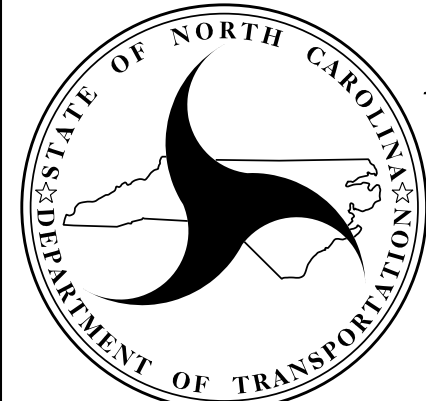
*SEE ROADWAY PLANS FOR CONCRETE DITCH AND FINISHED GRADE DETAILS.
 **SEE WALL ENVELOPE FOR GRADE ELEVATIONS.

FOR CONCRETE DITCHES, SEE SECTION 850 OF THE STANDARD SPECIFICATIONS.



LEVELING PAD STEP DETAILS

PROJECT NO.: U-4910
 CITY OF CONCORD, CABARRUS COUNTY
 STATION: VARIES
 SHEET 2 OF 2



**NORTH CAROLINA
DEPARTMENT OF TRANSPORTATION
DIVISION OF HIGHWAYS**

**GEOTECHNICAL
ENGINEERING UNIT**

REVISIONS						SHEET NO. 4
NO.	BY	DATE	NO.	BY	DATE	
			3			
			4			

PREPARED BY: HUNSBERGER, W. S.	DATE: 11/21
REVIEWED BY: HAMM, J. R.	DATE: 11/21