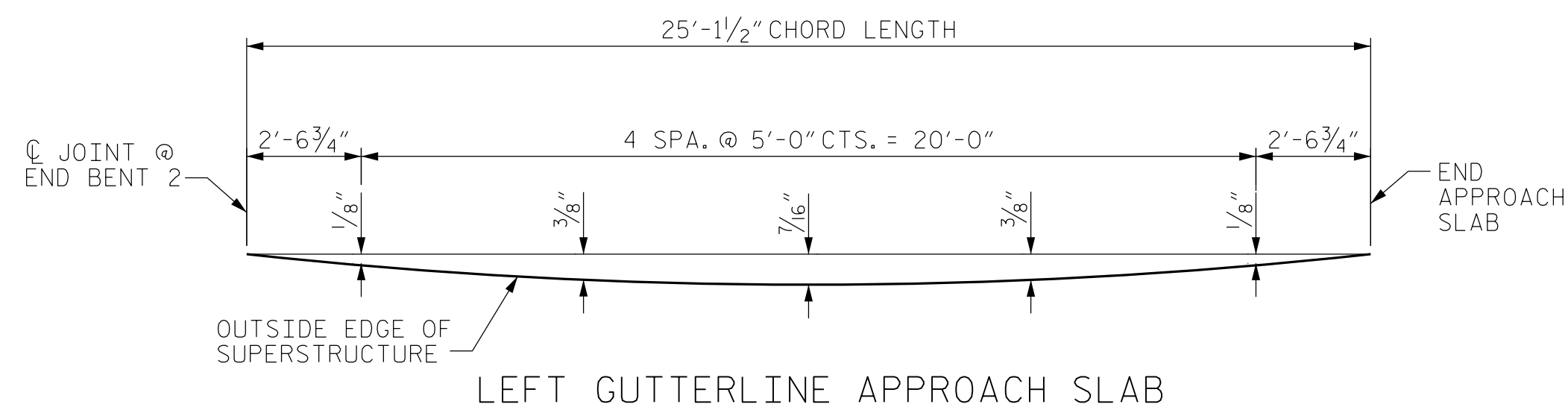
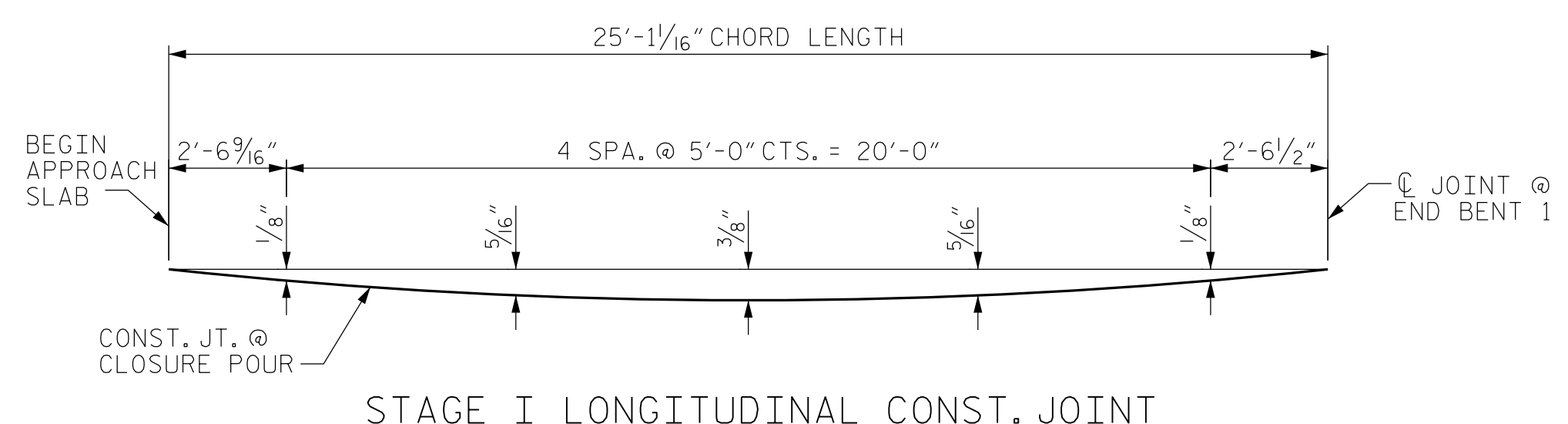


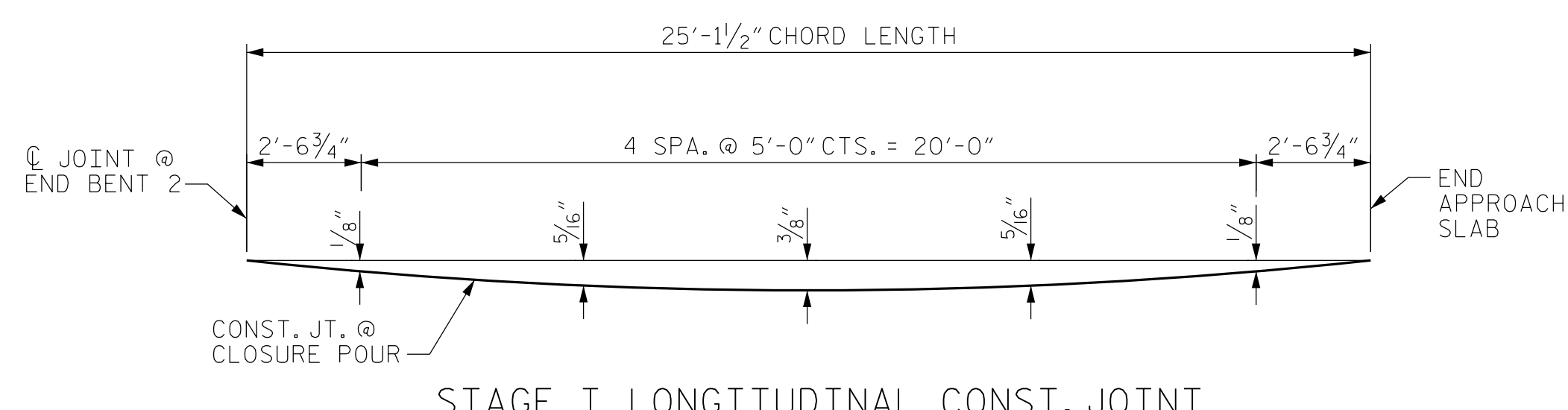
LEFT GUTTERLINE APPROACH SLAB



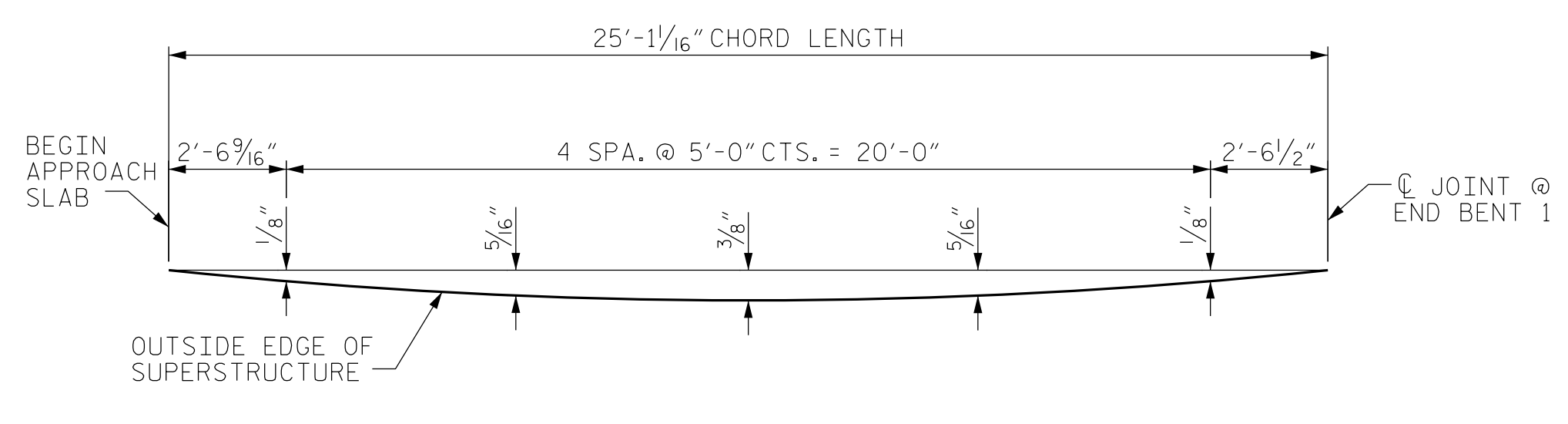
LEFT GUTTERLINE APPROACH SLAB



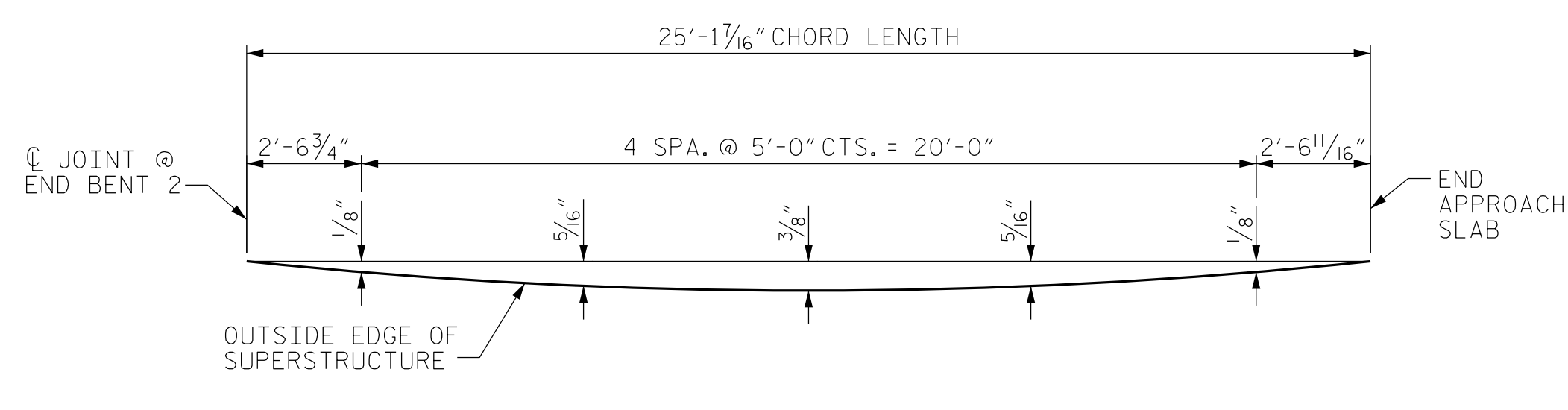
STAGE I LONGITUDINAL CONST. JOINT



STAGE I LONGITUDINAL CONST. JOINT



RIGHT GUTTERLINE APPROACH SLAB



RIGHT GUTTERLINE APPROACH SLAB

APPROACH SLAB
@ END BENT 1

APPROACH SLAB
@ END BENT 2

PROJECT NO. U-4910A
CABARRUS COUNTY
STATION: 147+80.00 -L-

SHEET 3 OF 4

DRAWN BY : K.H. COMPTON DATE : 5/2016
CHECKED BY : G.L. HAMILTON DATE : 7/2016
DESIGNED BY : K.H. COMPTON DATE : 5/2016

DOCUMENT NOT CONSIDERED
FINAL UNLESS ALL
SIGNATURES COMPLETED

AECOM
AECOM TECHNICAL SERVICES, INC.
701 CORPORATE CENTER DRIVE, SUITE 475
RALEIGH, NC 27607
(919) 854-6200 www.aecom.com
AECOM License No. F-0342

11/30/2016

NORTH CAROLINA
PROFESSIONAL
SEAL
030474
JOHN C. MORRISON
ENGINEER

STATE OF NORTH CAROLINA
DEPARTMENT OF TRANSPORTATION
RALEIGH

ARC OFFSETS
APPROACH SLAB

REVISIONS						SHEET NO.
NO.	BY:	DATE:	NO.	BY:	DATE:	TOTAL SHEETS
1			3			55
2			4			

DATE: 11/30/2016
TIME: 10:06:26 AM

USER: H:\aecom\030474\14001_Technical\08_Structural\08\401_J07_U4910A_SKU_554_L503.dgn