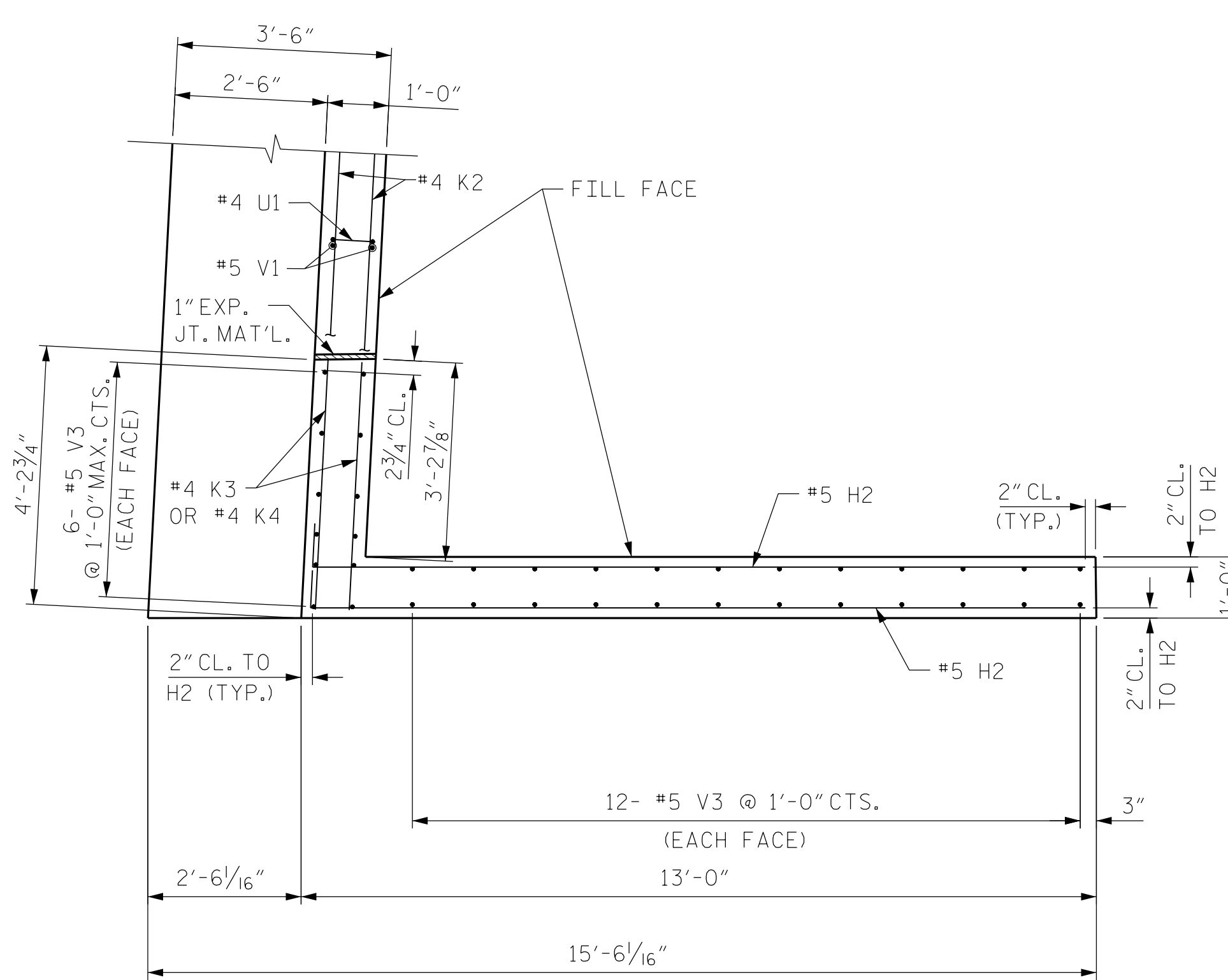
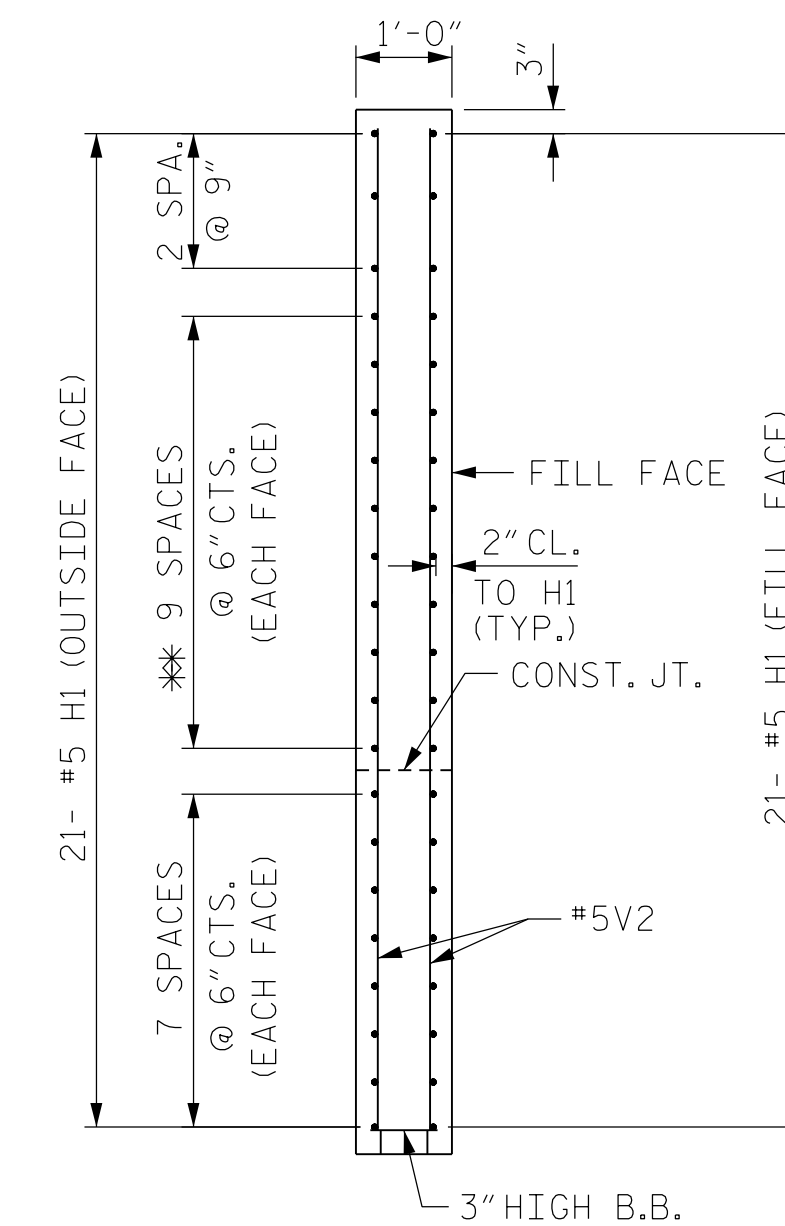


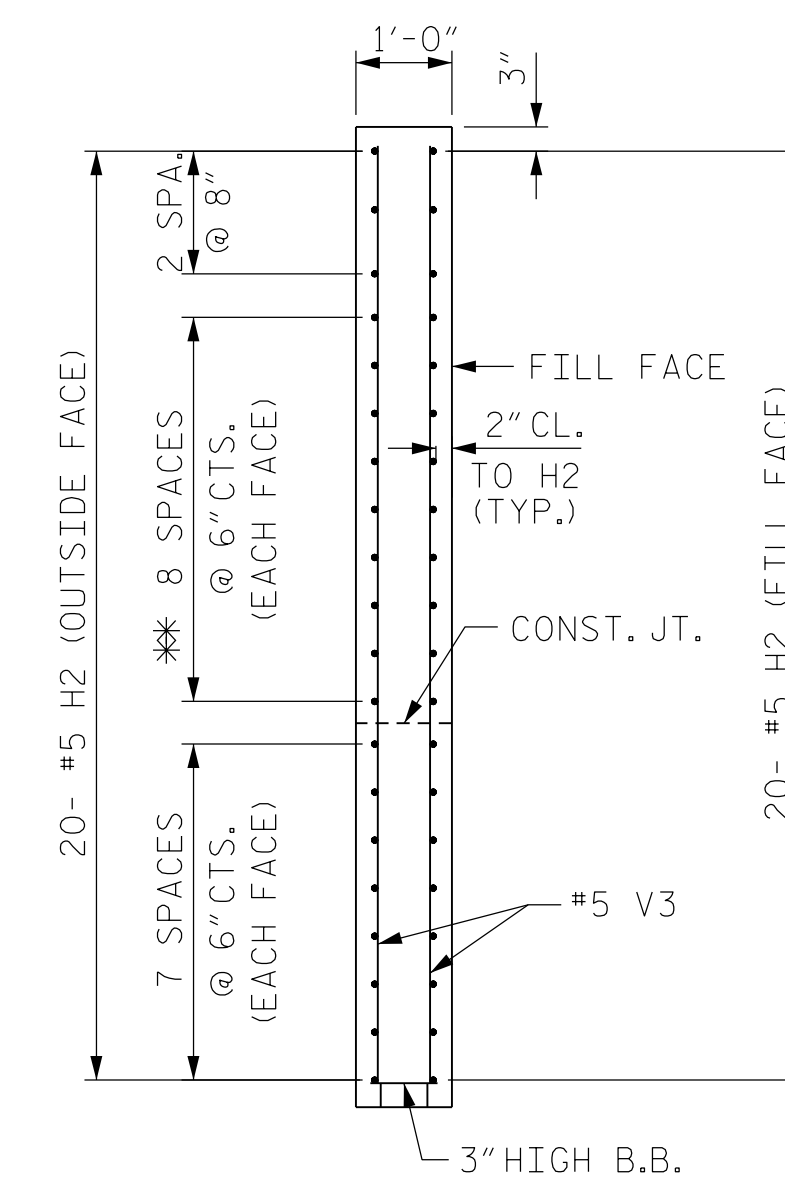
PLAN OF WING (W3)



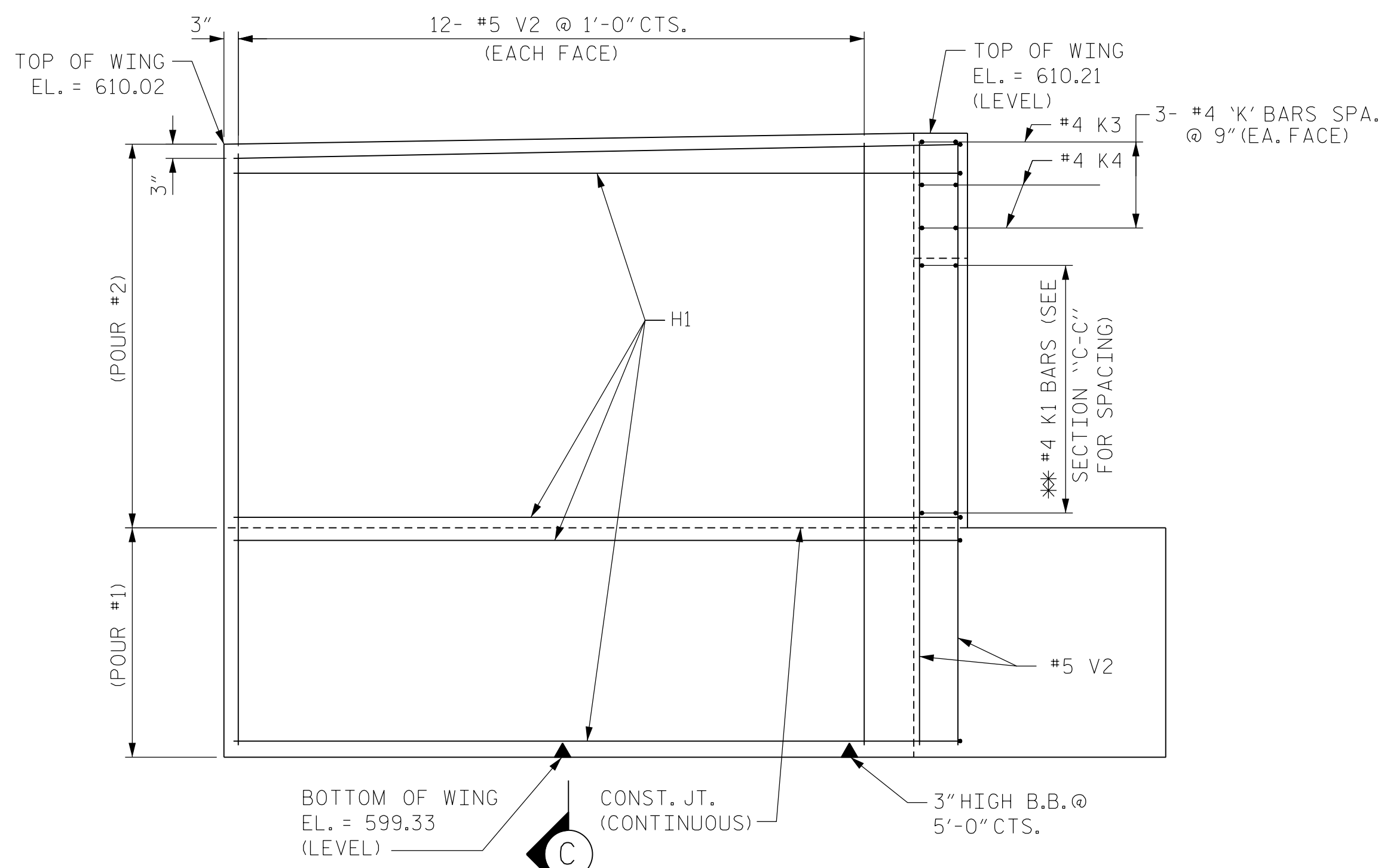
PLAN OF WING (W4)



SECTION "C-C"

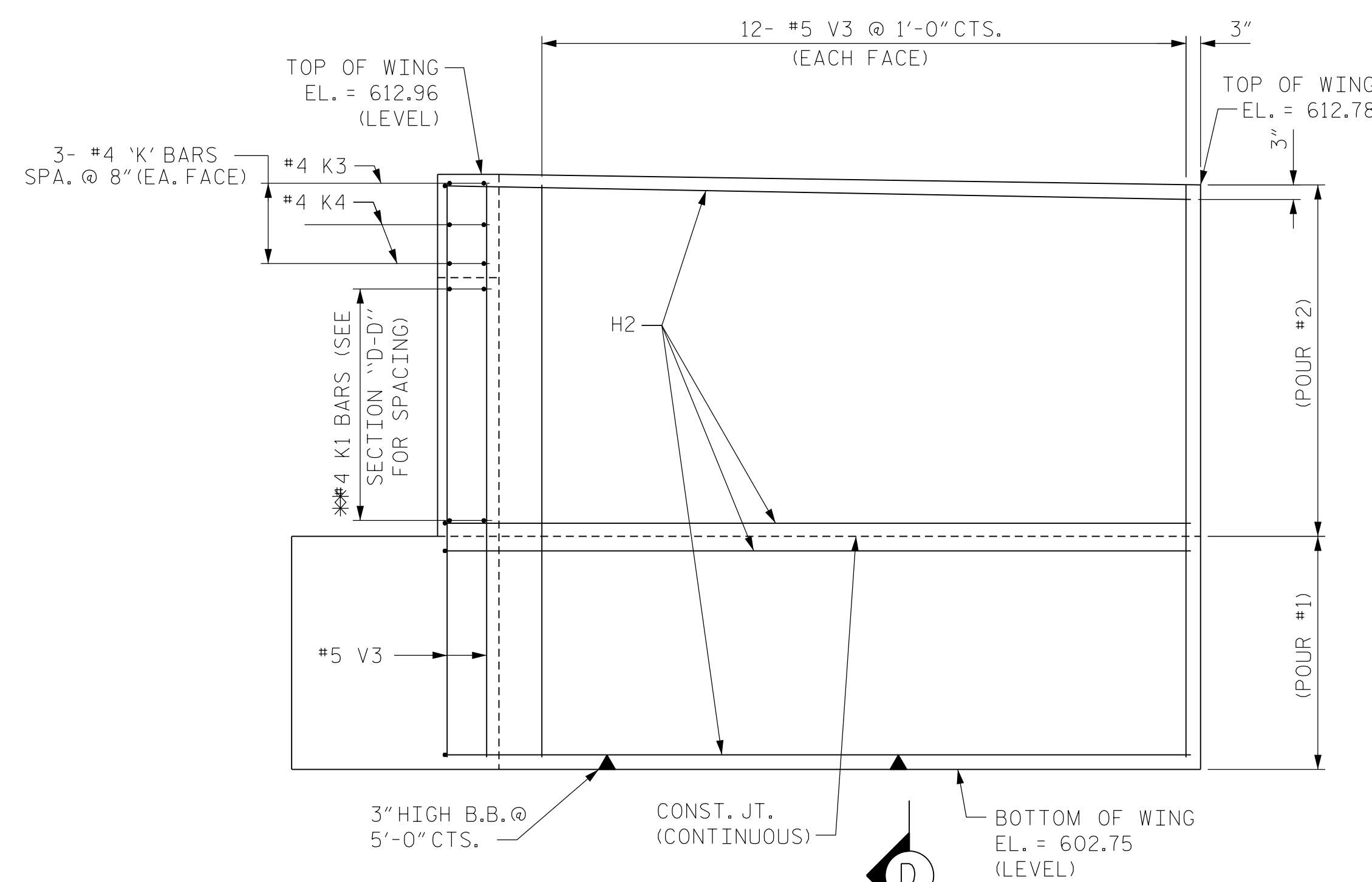


SECTION "D-D"



ELEVATION OF WING (W3)

* PLACE #5 'H' BARS TO MATCH #4 K1 BARS IN BACKWALL



ELEVATION OF WING (W4)

PLACE #5 'H' BARS TO MATCH #4 K1 BARS IN BACKWALL

PROJECT NO. U-4910A
 CABARRUS COUNTY
 STATION: 147+80.00 -L-
 SHEET 3 OF 4

AECOM
 AECOM TECHNICAL SERVICES, INC.
 701 CORPORATE CENTER DRIVE, SUITE 475
 RALEIGH, NC 27607
 (919) 854-6200 www.aecom.com
 AECOM License No. F-0342

11/30/2016

NORTH CAROLINA PROFESSIONAL SEAL
 SEAL 030474
 JOHN B. MORRISON
 ENGINEER

STATE OF NORTH CAROLINA
 DEPARTMENT OF TRANSPORTATION
 RALEIGH

SUBSTRUCTURE
 END BENT 2
 SECTIONS AND DETAILS

REVISIONS						SHEET NO.
NO.	BY:	DATE:	NO.	BY:	DATE:	S-49
1			3			TOTAL SHEETS
2			4			55

DOCUMENT NOT CONSIDERED FINAL UNLESS ALL SIGNATURES COMPLETED

USER: H:\aecom\11302016\001\147+80.00-Structural\408_Structural\408_001_U4910A_SML_549_EB02_03.dgn
 DATE: 11/30/2016
 TIME: 10:55:16 AM

DRAWN BY : K.H. COMPTON DATE : 3/2016
 CHECKED BY : G.L. HAMILTON DATE : 7/2016
 DESIGNED BY : K.H. COMPTON DATE : 3/2016