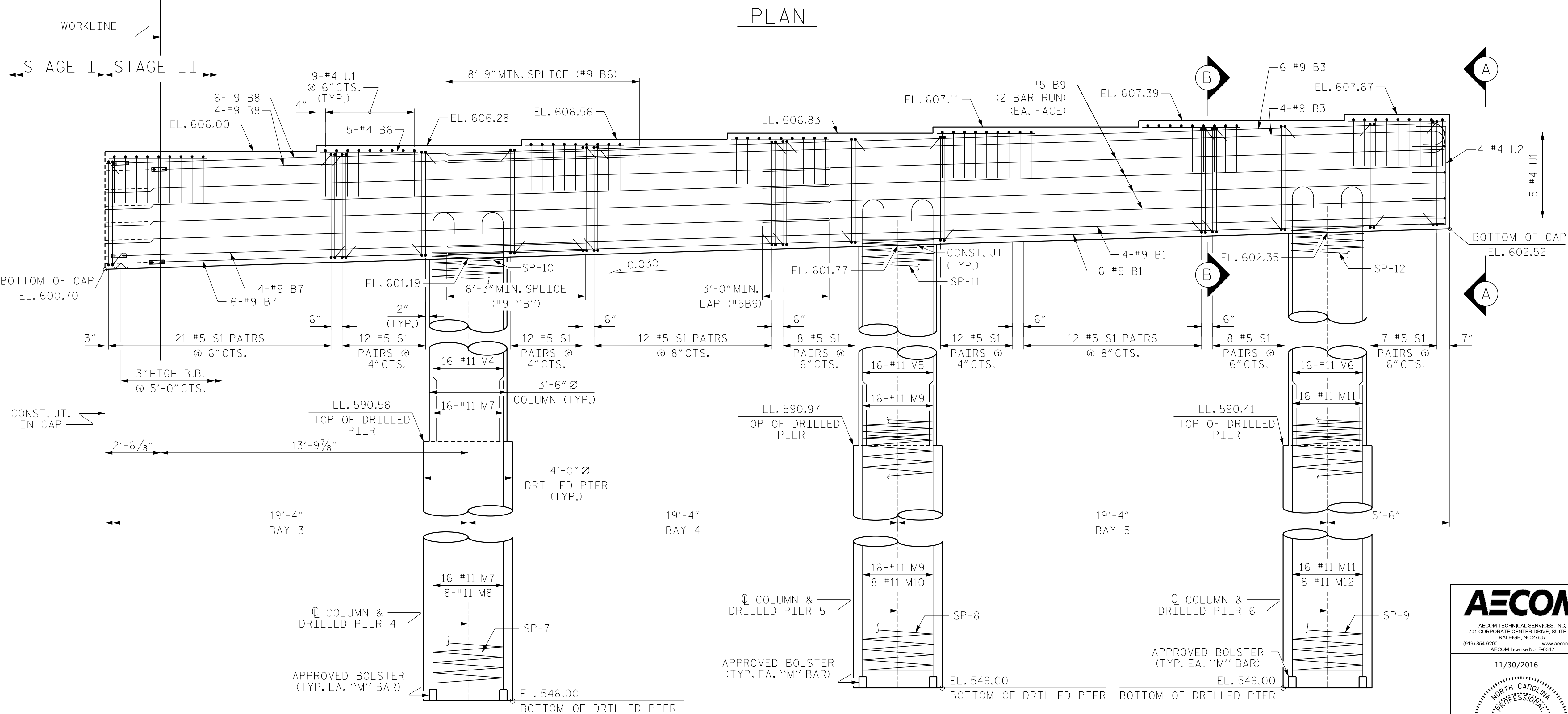
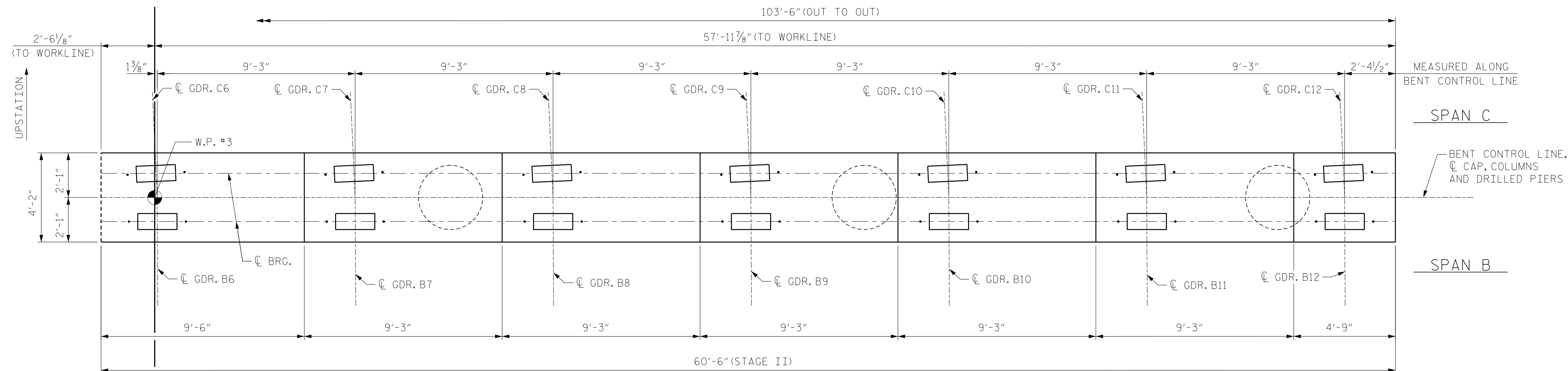
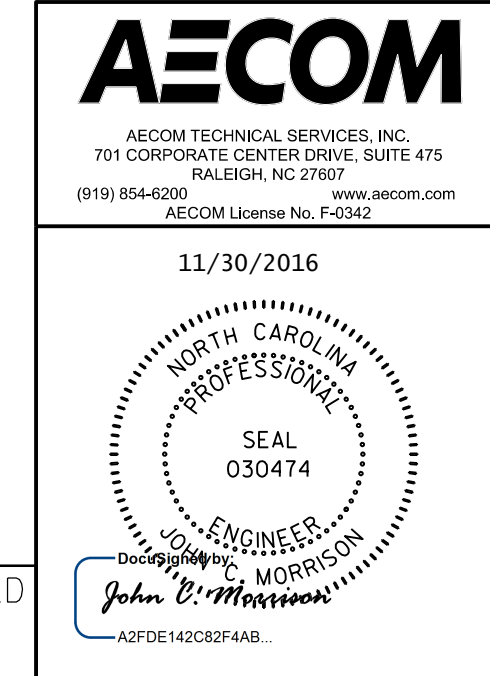


NOTES:
FOR NOTES, SEE SHEET 1 OF 4.



PROJECT NO. U-4910A
 CABARRUS COUNTY
 STATION: 147+80.00 -L-
 SHEET 2 OF 4



STATE OF NORTH CAROLINA
 DEPARTMENT OF TRANSPORTATION
 RALEIGH

SUBSTRUCTURE
 BENT 2
 PLAN & ELEVATION

REVISIONS						SHEET NO. S-44
NO.	BY:	DATE:	NO.	BY:	DATE:	
1			3			TOTAL SHEETS 55
2			4			

DRAWN BY : K.H. COMPTON DATE : 7/2016
 CHECKED BY : J.C. MORRISON DATE : 7/2016
 DESIGNED BY : K.H. COMPTON DATE : 7/2016

DOCUMENT NOT CONSIDERED
 FINAL UNLESS ALL
 SIGNATURES COMPLETED

DATE: 11/30/2016 TIME: 10:28:35 AM
 USER: H:\aecom\001\000_Technical\08_Structural\08_14910A_SML_S44_BTO2_02.dgn