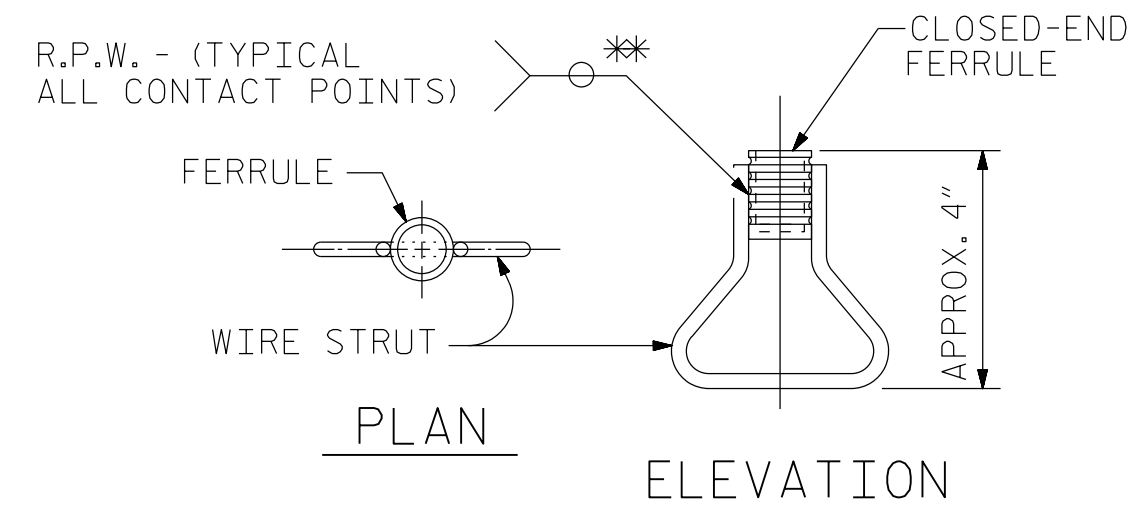
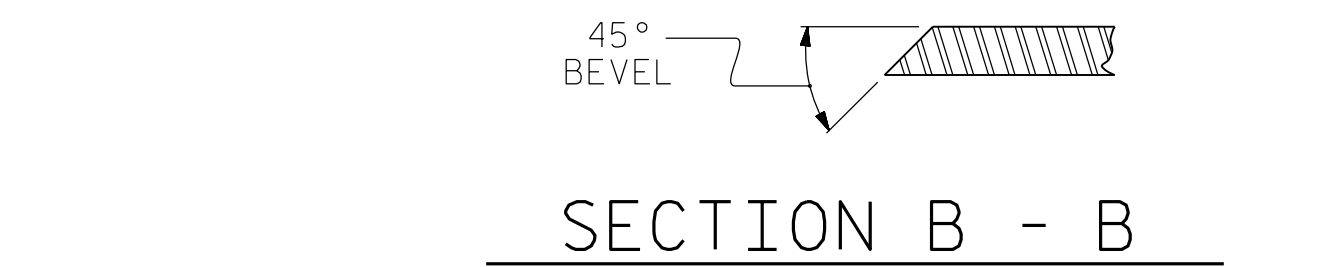


END VIEW
(NORMAL TO SIDEWALK)

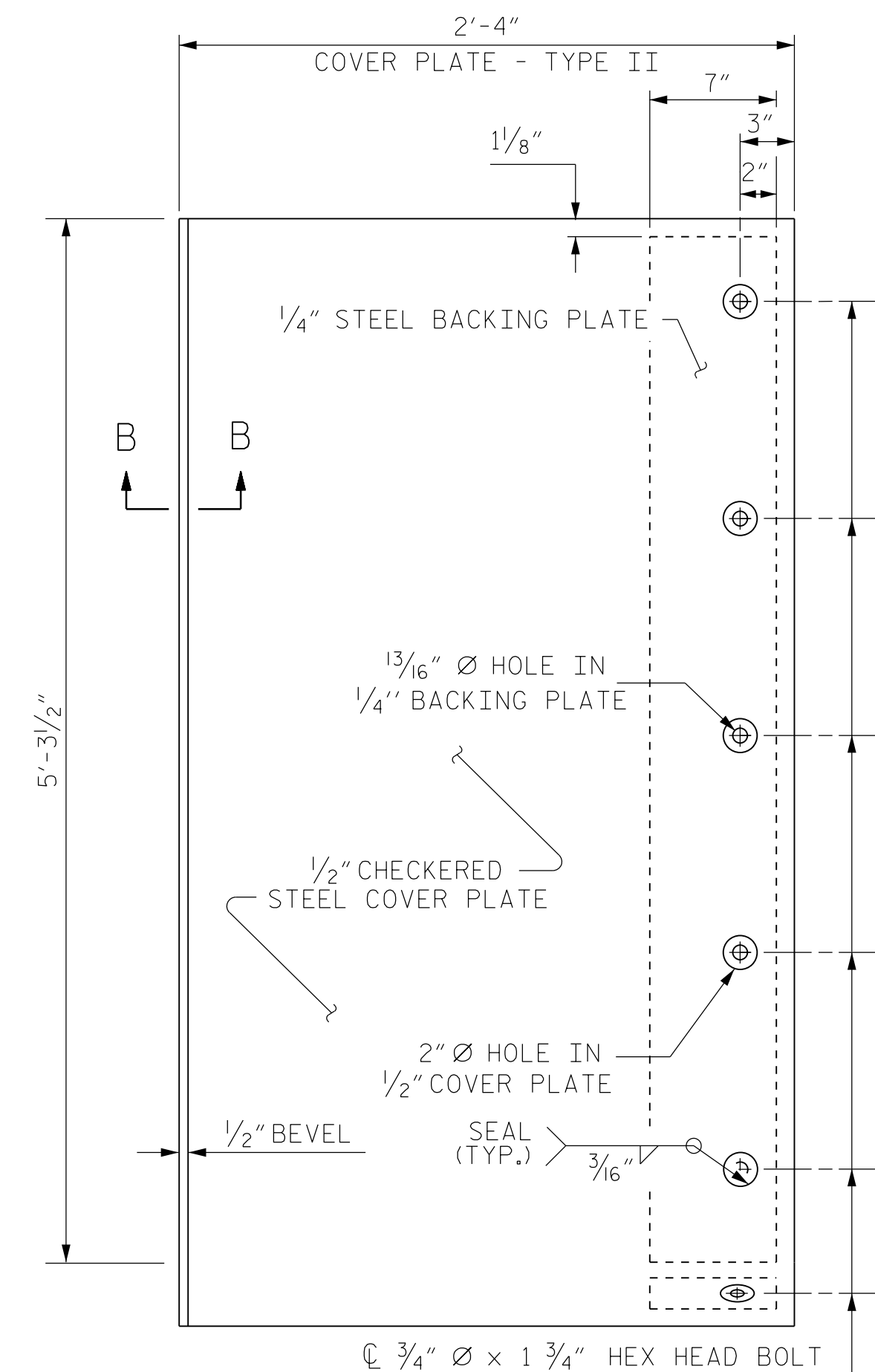
* CONCRETE RECESS DIMENSIONS:

- 13/16" FOR THE SIDE OF THE JOINT HAVING THE 1/2" COVER PLATE WITH A 1/4" BACKING PLATE.
- 9/16" FOR THE SIDE OF THE JOINT HAVING ONLY THE 1/2" COVER PLATE.



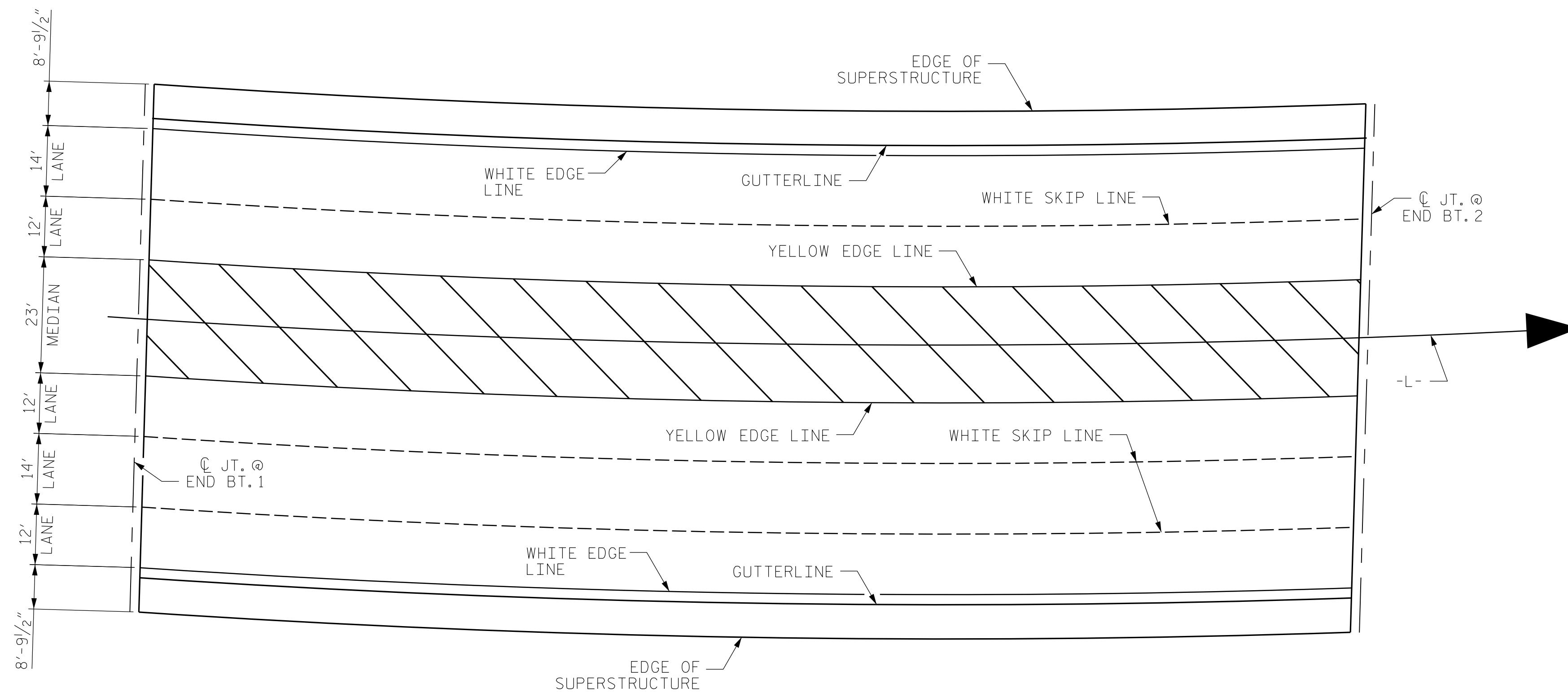
CONCRETE INSERT

** EACH WELDED ATTACHMENT OF WIRE TO FERRULE SHALL DEVELOP THE TENSILE STRENGTH OF THE WIRE.



TYPE II - PLAN VIEW

COVER PLATE DETAILS



PAVEMENT MARKING ALIGNMENT

PROJECT NO. U-4910A
CABARRUS COUNTY
 STATION: 147+80.00 -L-

SHEET 3 OF 3

AECOM
AECOM TECHNICAL SERVICES, INC.
 701 CORPORATE CENTER DRIVE, SUITE 475
 RALEIGH, NC 27607
 (919) 854-6200 www.aecom.com
 AECOM License No. F-0342

11/30/2016

NORTH CAROLINA PROFESSIONAL SEAL 030474

JOHN C. MORRISON
 ENGINEER
 A2FD0E142C82F4A8

STATE OF NORTH CAROLINA
DEPARTMENT OF TRANSPORTATION
RALEIGH

STANDARD
EXPANSION JOINT SEAL DETAILS FOR SIDEWALK

REVISIONS						SHEET NO.
NO.	BY:	DATE:	NO.	BY:	DATE:	S-32
1			3			TOTAL SHEETS
2			4			55

DOCUMENT NOT CONSIDERED FINAL UNLESS ALL SIGNATURES COMPLETED

DATE: 11/30/2016 TIME: 10:42:22 AM
 USER: H:\aecom\001\14001_Technical\408_Structural\Comp\401_063_U4910A_SMU_532_EJ503.dgn