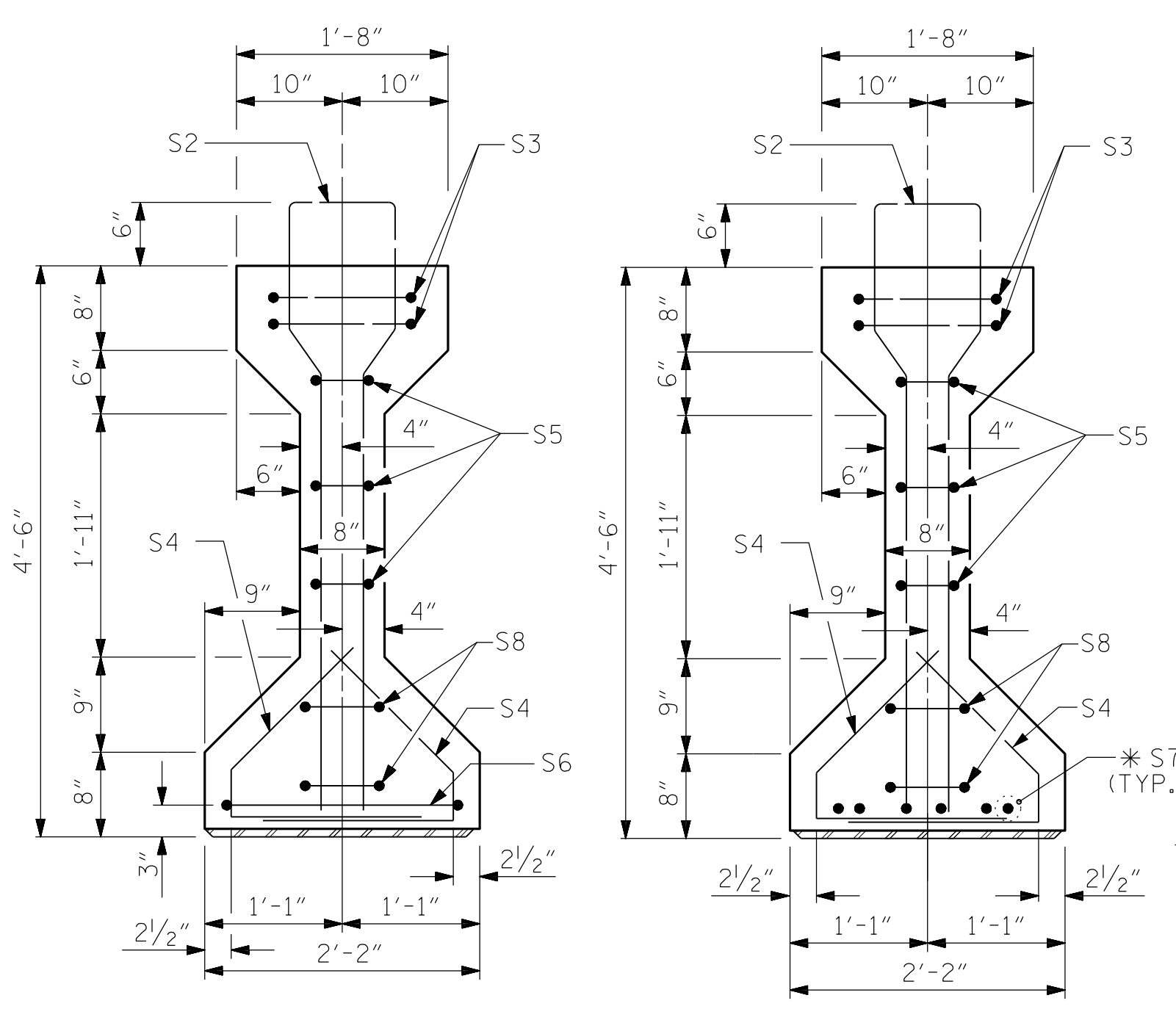


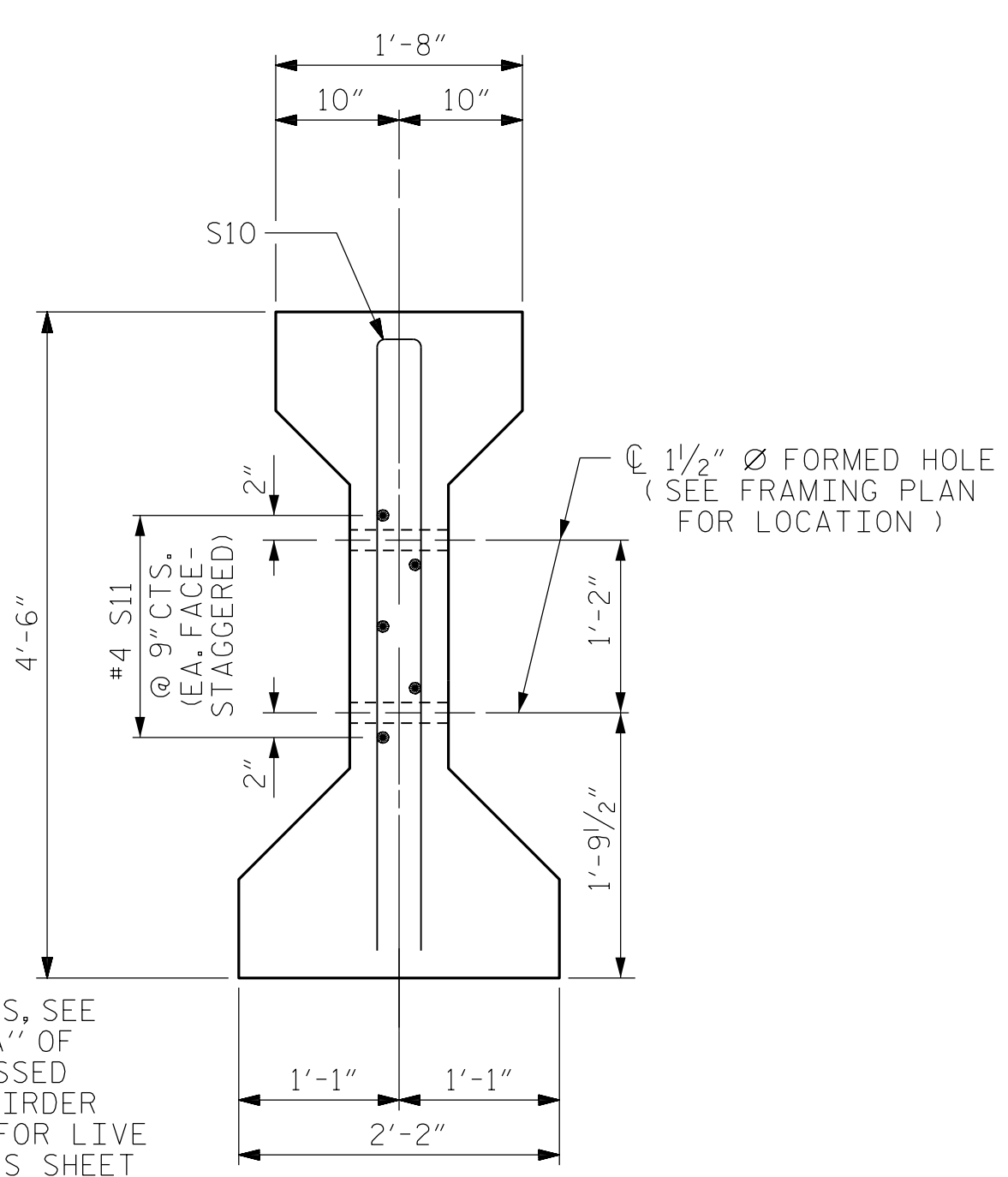
DATE: 11/30/2016
TIME: 10:58:03 AM

USER: \\s03001\root\Technical\408_Structural\408_U4910A_SMU_SIT_PCC04.dgn
DGN: 04633001\root\Technical\408_Structural\408_U4910A_SMU_SIT_PCC04.dgn



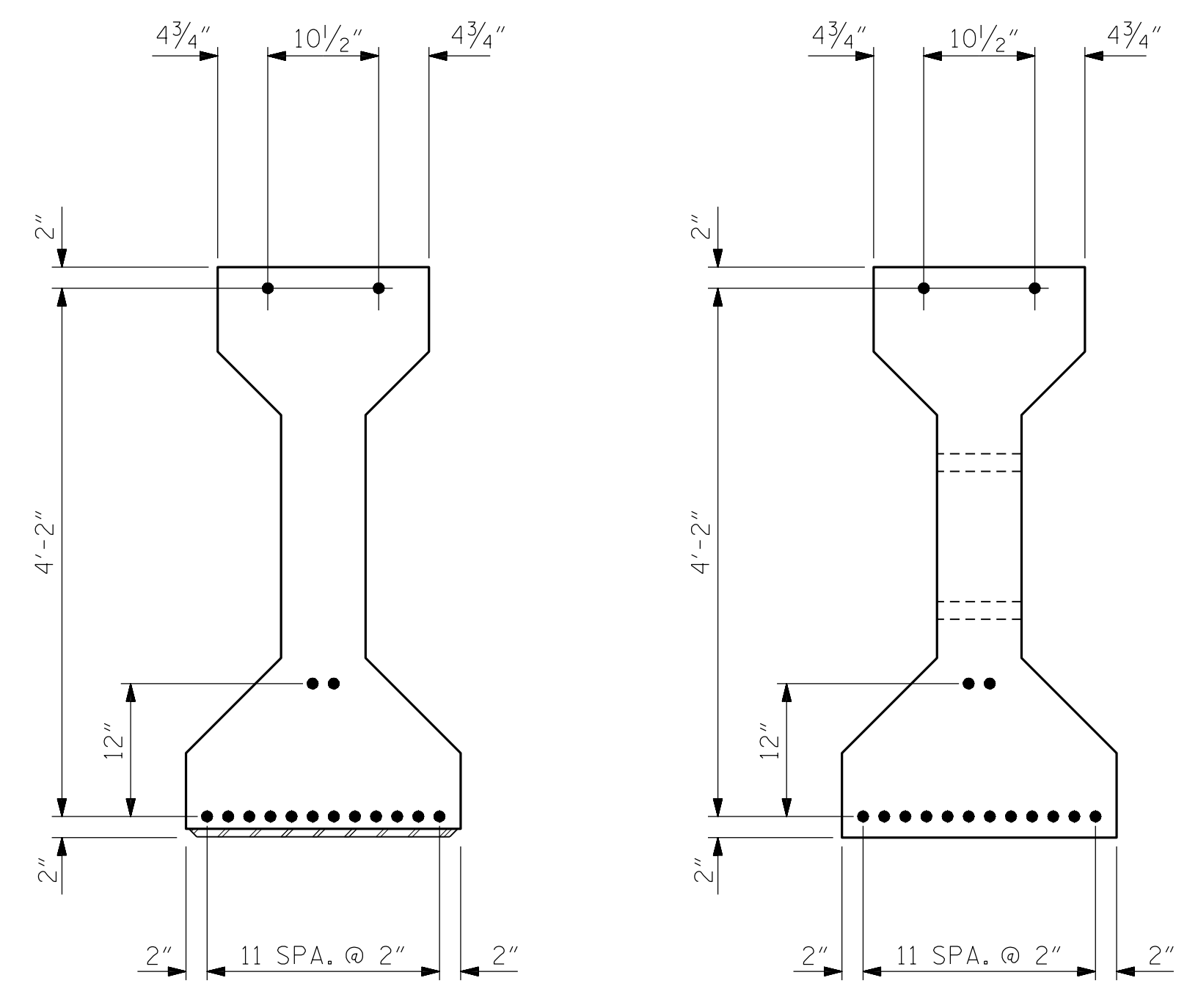
SECTION A-A

SECTION B-B



SECTION C-C
(S1 BARS NOT SHOWN)

* FOR S7 BARS, SEE
DETAIL "A" OF
PRESTRESSED
CONCRETE GIRDER
CONTINUOUS FOR LIVE
LOAD DETAILS SHEET

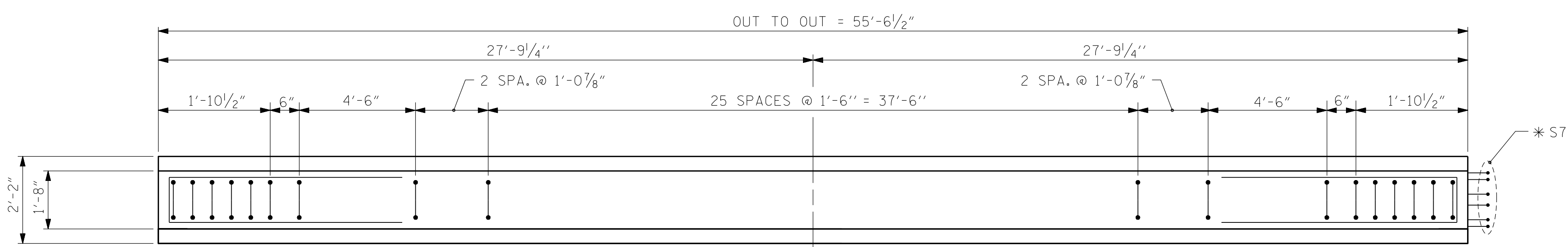


AT END OF GIRDER

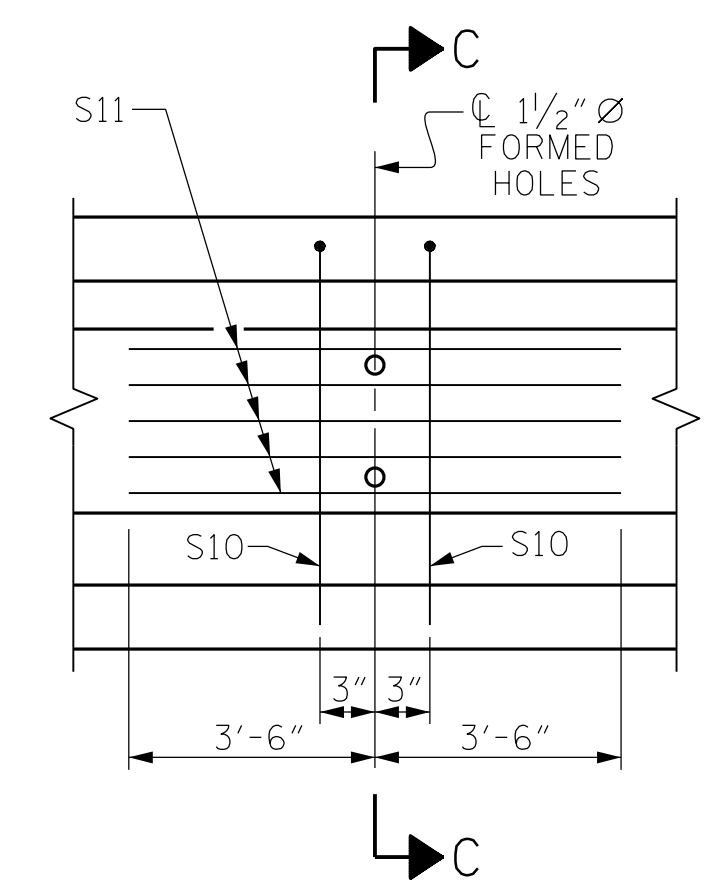
AT C OF GIRDER

0.6" Ø LOW RELAXATION STRAND LAYOUT

(16 STRANDS)
• FULLY BONDED STRANDS

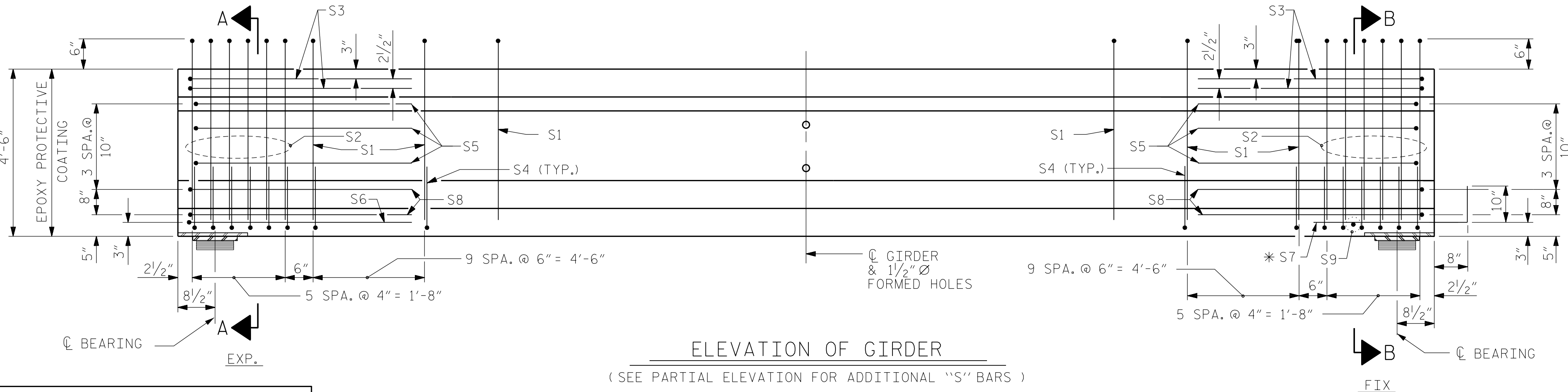


PLAN OF GIRDER



PARTIAL ELEVATION

SHOWING INTERMEDIATE DIAPHRAGM
REINFORCING STEEL FOR GIRDER Nos. 1-12



ELEVATION OF GIRDER

(SEE PARTIAL ELEVATION FOR ADDITIONAL "S" BARS)

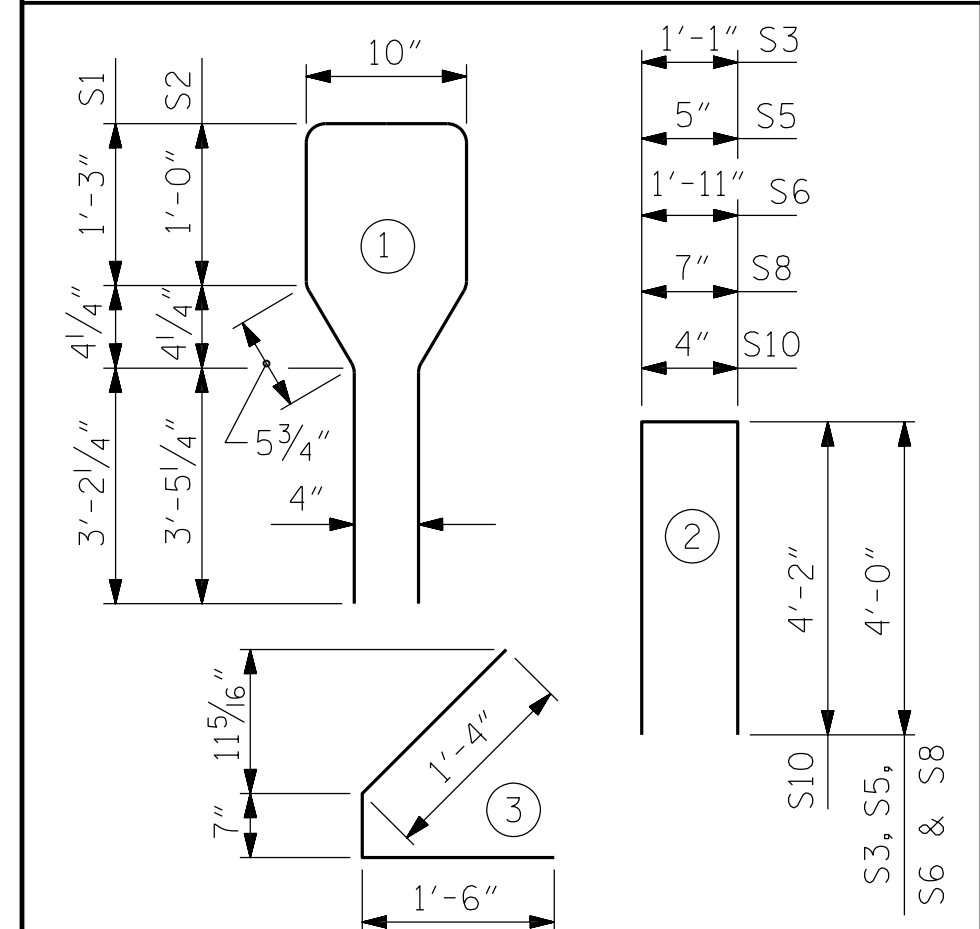
0.6" Ø L. R. GRADE 270 STRANDS		
AREA (SQUARE INCHES)	ULTIMATE STRENGTH (LBS. PER STRAND)	APPLIED PRESTRESS (LBS. PER STRAND)
0.217	58,600	43,950

REINFORCING STEEL FOR ONE GIRDER					
BAR	NUMBER	SIZE	TYPE	LENGTH	WEIGHT
S1	48	#4	1	10'-8"	342
S2	12	#6	1	10'-8"	192
S3	4	#4	2	9'-1"	24
S4	64	#4	3	3'-5"	146
S5	6	#4	2	8'-5"	34
S6	1	#4	2	9'-11"	7
*S7	6	#5	STR	3'-8"	23
S8	4	#4	2	8'-7"	23
S9	1	#3	STR	1'-10"	1
S10	2	#5	2	8'-8"	18
S11	5	#4	STR	7'-0"	23

* NOTE: S7 BARS SHALL BE BENT BEFORE SHIPMENT. HEAT BENDING SHALL NOT BE ALLOWED.

BAR TYPES

ALL BAR DIMENSIONS ARE OUT-TO-OUT



QUANTITIES FOR ONE GIRDER			
EXT. & INT. GDERS	REINFORCING STEEL	7000 PSI CONCRETE	0.6" Ø L. R. STRANDS
	LB.	C.Y.	No.
	833	11.3	16

GIRDERS REQUIRED

NUMBER	LENGTH	TOTAL LENGTH
12	55'-6 1/2"	666'-6"

PROJECT NO. U-4910A
CABARRUS COUNTY
STATION: 147+80.00 -L-
SHEET 1 OF 5

AECOM
AECOM TECHNICAL SERVICES, INC.
701 CORPORATE CENTER DRIVE, SUITE 475
RALEIGH, NC 27607
(919) 854-8200 www.aecom.com
AECOM License No. F-0342

11/30/2016

NORTH CAROLINA
PROFESSIONAL
ENGINEER
SEAL
030474
John C. Morrison
42FDE142R2F4AB

STATE OF NORTH CAROLINA
DEPARTMENT OF TRANSPORTATION
RALEIGH

STANDARD
AASHTO TYPE IV
PRESTRESSED CONCRETE GIRDER
CONTINUOUS FOR LIVE LOAD
SPAN A

REVISIONS					SHEET NO.
NO.	BY:	DATE:	NO.	BY:	DATE:
1			3		
2			4		

TOTAL SHEETS: 55

ASSEMBLED BY : N.K. BROWN	DATE : 3/2016
CHECKED BY : J.C. MORRISON	DATE : 7/2016
DRAWN BY : ELR 8/91	REV. 5/1/06R TLA/GM
CHECKED BY : GRP 8/91	REV. 10/1/11 MAA/GM
	REV. 1/15 MAA/TMG

DOCUMENT NOT CONSIDERED
FINAL UNLESS ALL
SIGNATURES COMPLETED