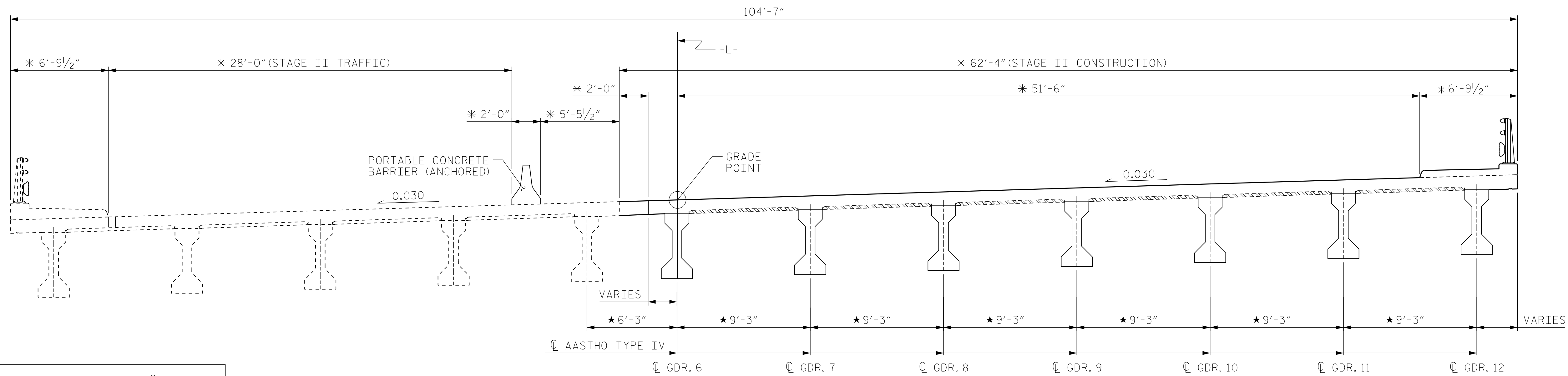


NOTES:
 FOR MAINTENANCE OF TRAFFIC,
 LOCATION OF TEMPORARY SHORING
 AND LOCATION AND PAY LIMIT OF
 THE PORTABLE CONCRETE BARRIER,
 SEE TRAFFIC CONTROL PLANS.

STAGE I CONSTRUCTION

(CONSTRUCT LEFT SIDE OF PROPOSED BRIDGE,
 MAINTAIN TRAFFIC ON EXISTING STRUCTURE)



* MEASURED NORMAL TO G GIRDER
 * RADIAL DIMENSIONS

STAGE II CONSTRUCTION

(MOVE TRAFFIC ONTO STAGE I, REMOVE
 EXISTING STRUCTURE)

PROJECT NO. U-4910A
CABARRUS COUNTY
 STATION: 147+80.00 -L-

SHEET 1 OF 2

DRAWN BY : K.H. COMPTON DATE : 7/2016
 CHECKED BY : J.C. MORRISON DATE : 7/2016
 DESIGNED BY : K.H. COMPTON DATE : 7/2016

DOCUMENT NOT CONSIDERED
 FINAL UNLESS ALL
 SIGNATURES COMPLETED

AECOM
 AECOM TECHNICAL SERVICES, INC.
 701 CORPORATE CENTER DRIVE, SUITE 475
 RALEIGH, NC 27607
 (919) 854-6200 www.aecom.com
 AECOM License No. F-0342

11/30/2016

NORTH CAROLINA
 PROFESSIONAL
 SEAL
 030474
 ENGINEER
 JOHN C. MORRISON
 A2FDE142C82F4A8

STATE OF NORTH CAROLINA
DEPARTMENT OF TRANSPORTATION
 RALEIGH

SUPERSTRUCTURE
 CONSTRUCTION
 SEQUENCE

| REVISIONS | | | | | | SHEET NO. |
|-----------|-----|-------|-----|-----|-------|--------------|
| NO. | BY: | DATE: | NO. | BY: | DATE: | S-06 |
| 1 | | | 3 | | | TOTAL SHEETS |
| 2 | | | 4 | | | 55 |

DATE: 11/30/2016
 TIME: 10:05:54 AM

USER: H:\aecom\030474\1400_Structural\CAD\01_U4910A_SML_S06_CSD.dgn