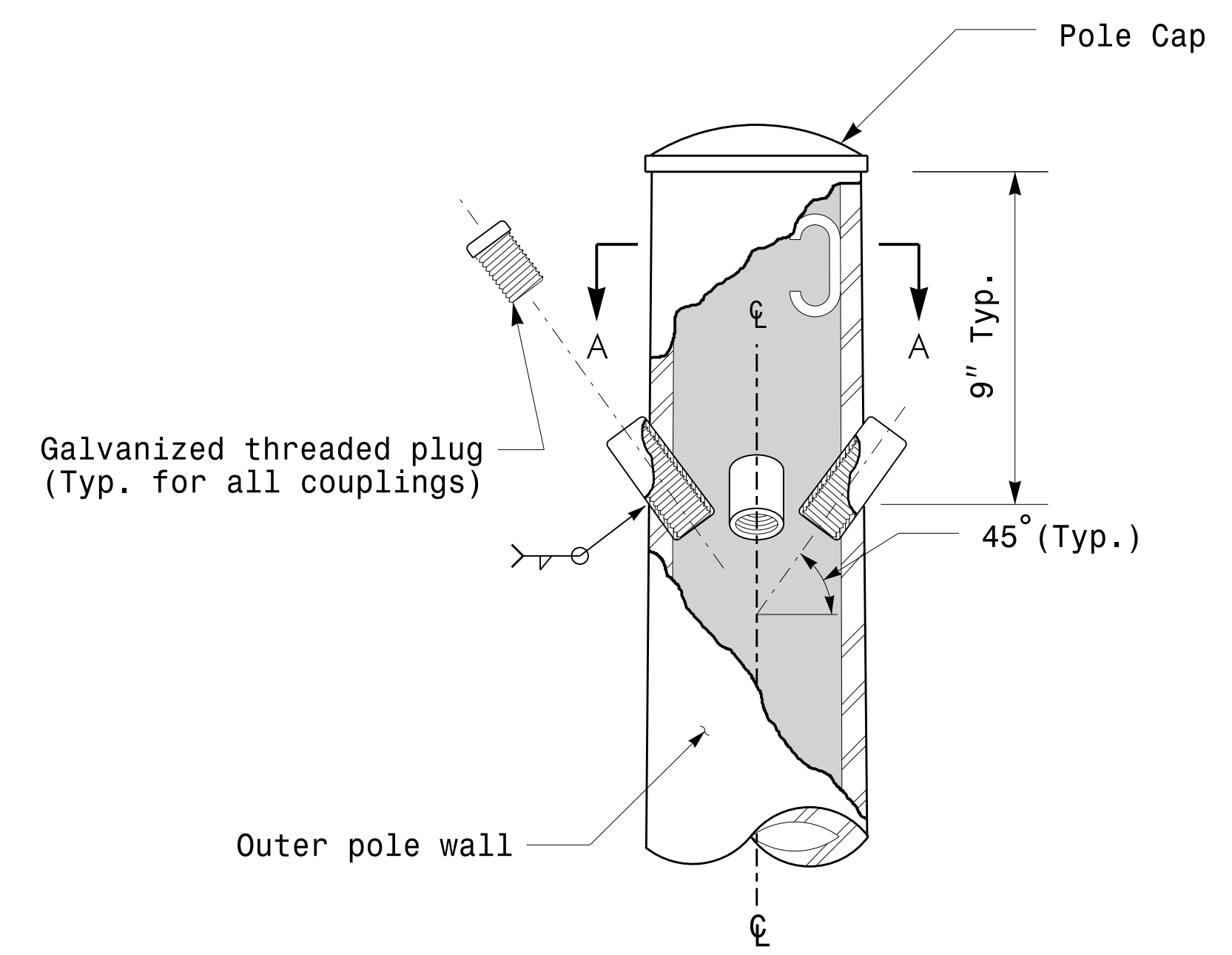
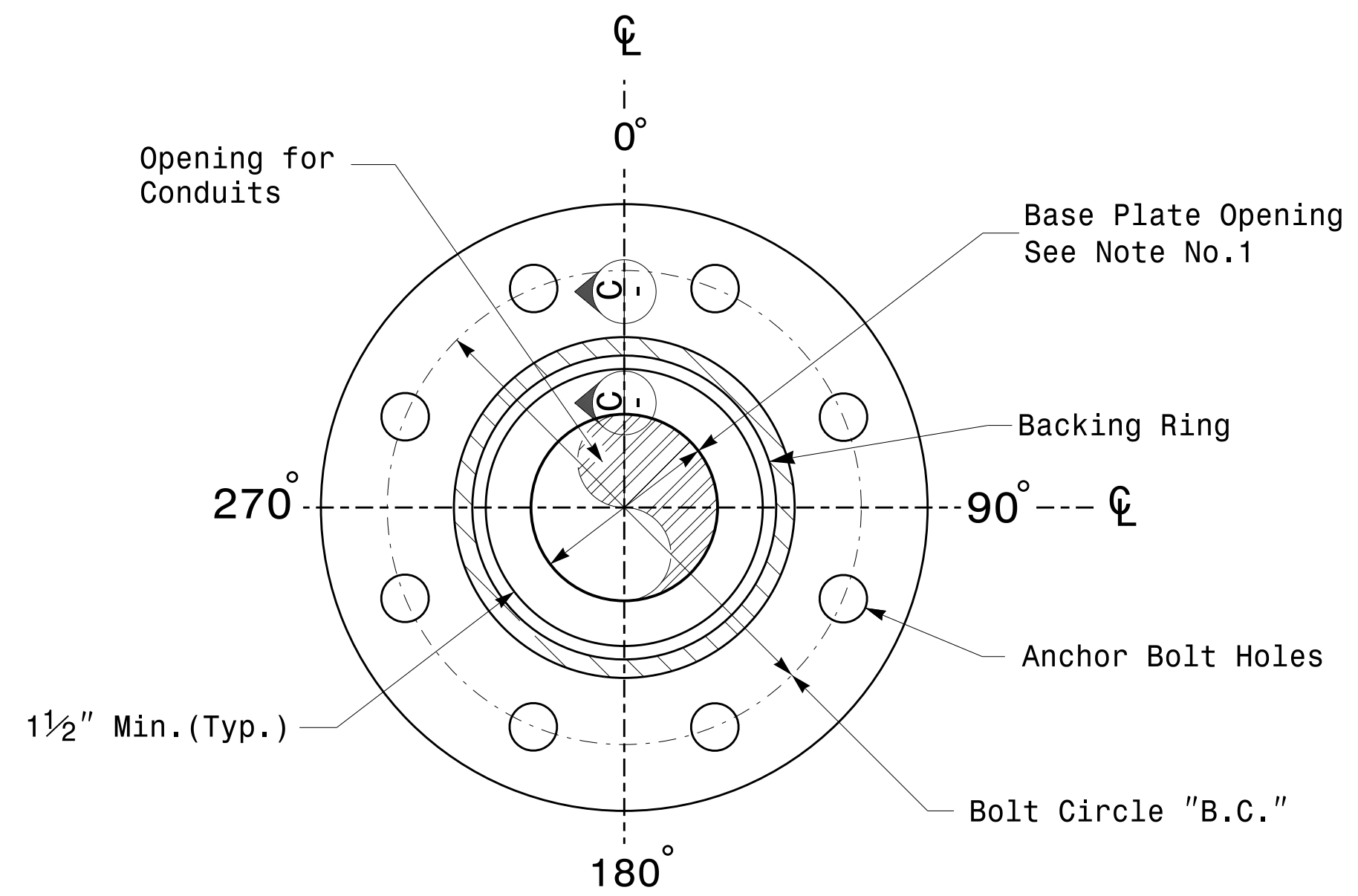


Note:  
 1. Opening in pole base plate shall be equal to pole base inside diameter minus 3 1/2" but shall not be less than 8 1/2".

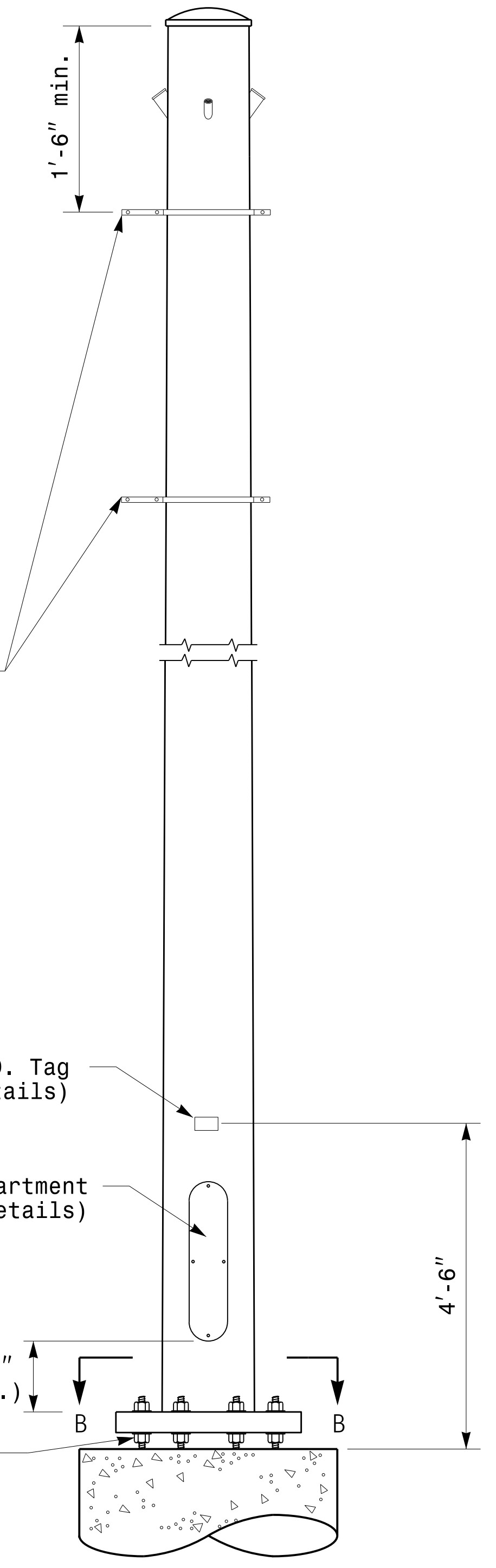


Cable Entrances at Top of Pole

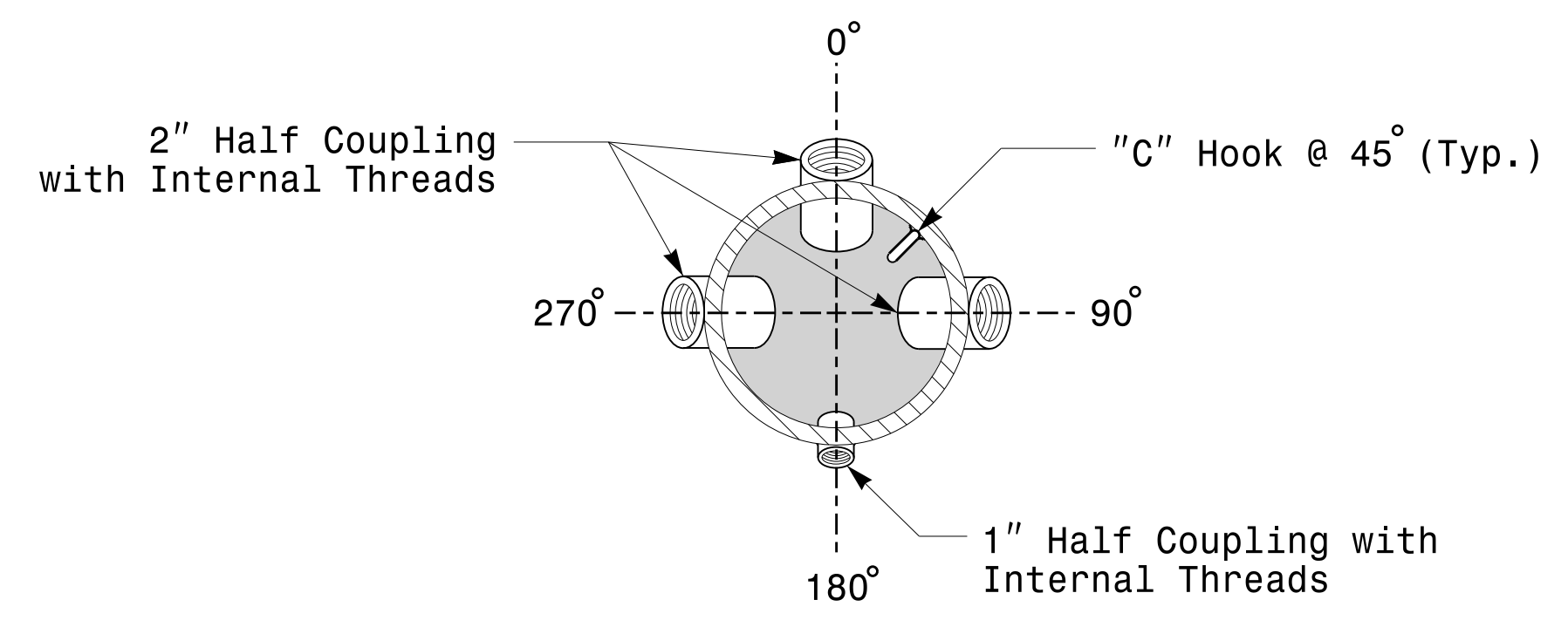


Section B-B  
Pole Base Plate Details  
(8 and 12 Bolt Pattern)

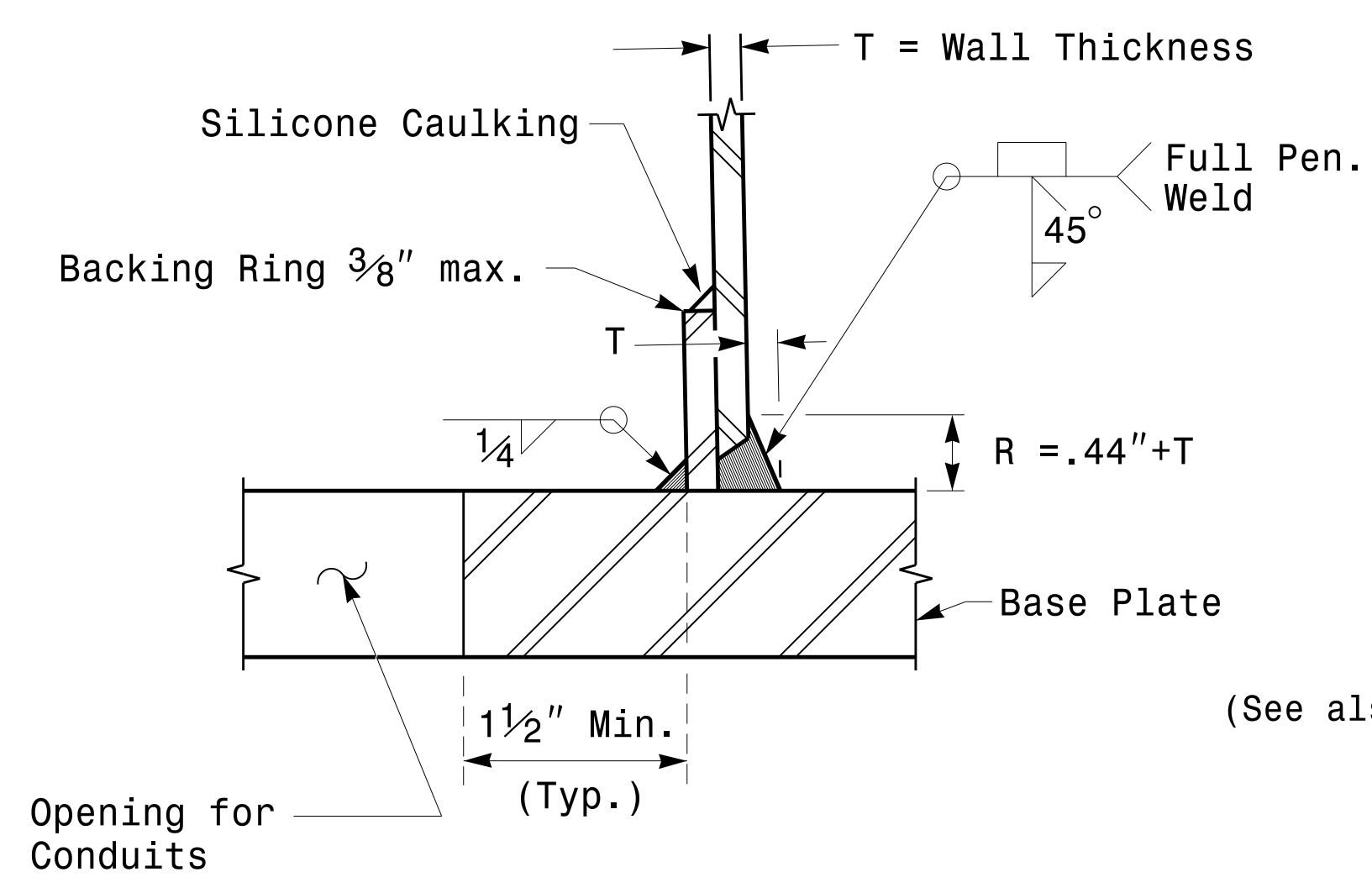
2 Cable Clamps designed for variable attachment heights from 1'-6" to 5'-0" below the top of the pole.



Monotube Strain Pole



Section A-A  
Radial Orientation for Factory Installed  
Accessories at Top of Pole



Section C-C  
(Pole Attachment to Base Plate)  
Full-Penetration  
Groove Weld Detail

Prepared in the Offices of:  
  
 750 N. Greenleaf Pkwy, Garner, NC 27529

Typical Fabrication Details For Strain Poles			
PLAN DATE: FEBRUARY 2016	DESIGNED BY: K.C. DURIGON		
PREPARED BY: N. BITTING	REVIEWED BY: D.C. SARKAR	REVISIONS	INIT. DATE

SEAL  
  
 DocuSigned by:  
  
 44E8E32E147E4C4...  
 2/17/2016  
 DATE

Fabrication Details – Strain Poles

17-FEB-2016 16:04 TSC04115 Signal&Sign Design Section Eastern Region\\M1 Sheets\\2016\\2014\_Sig\_M3\_Std\_Fabrication\_Details-Strain\_Poles.dgn