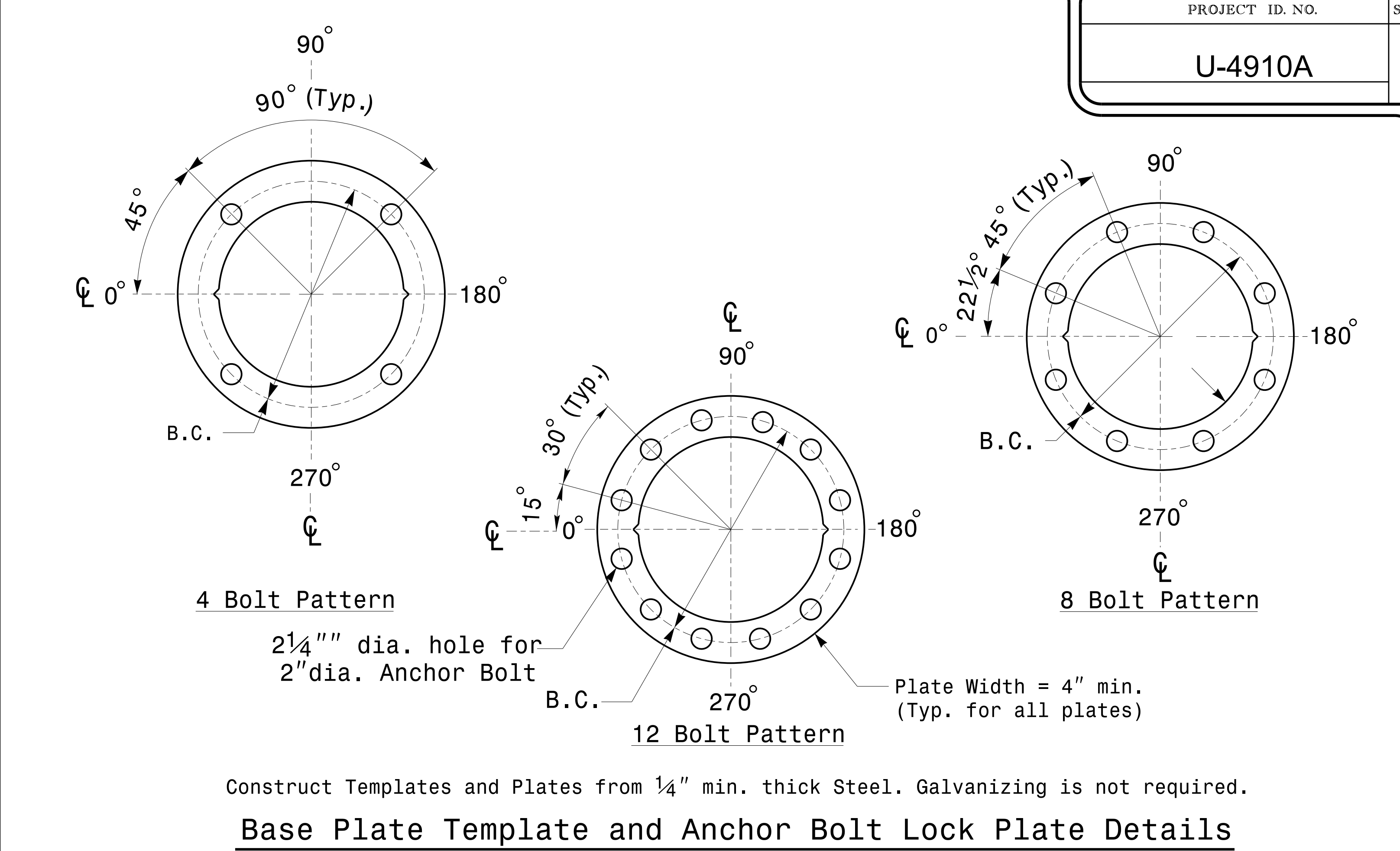


Note: Unless otherwise specified, locate Terminal Compartment 1 foot above the pole base plate at 180 degrees on the pole's radial index.

Terminal Compartment Detail



Construct Templates and Plates from 1/4\" min. thick Steel. Galvanizing is not required.

Base Plate Template and Anchor Bolt Lock Plate Details

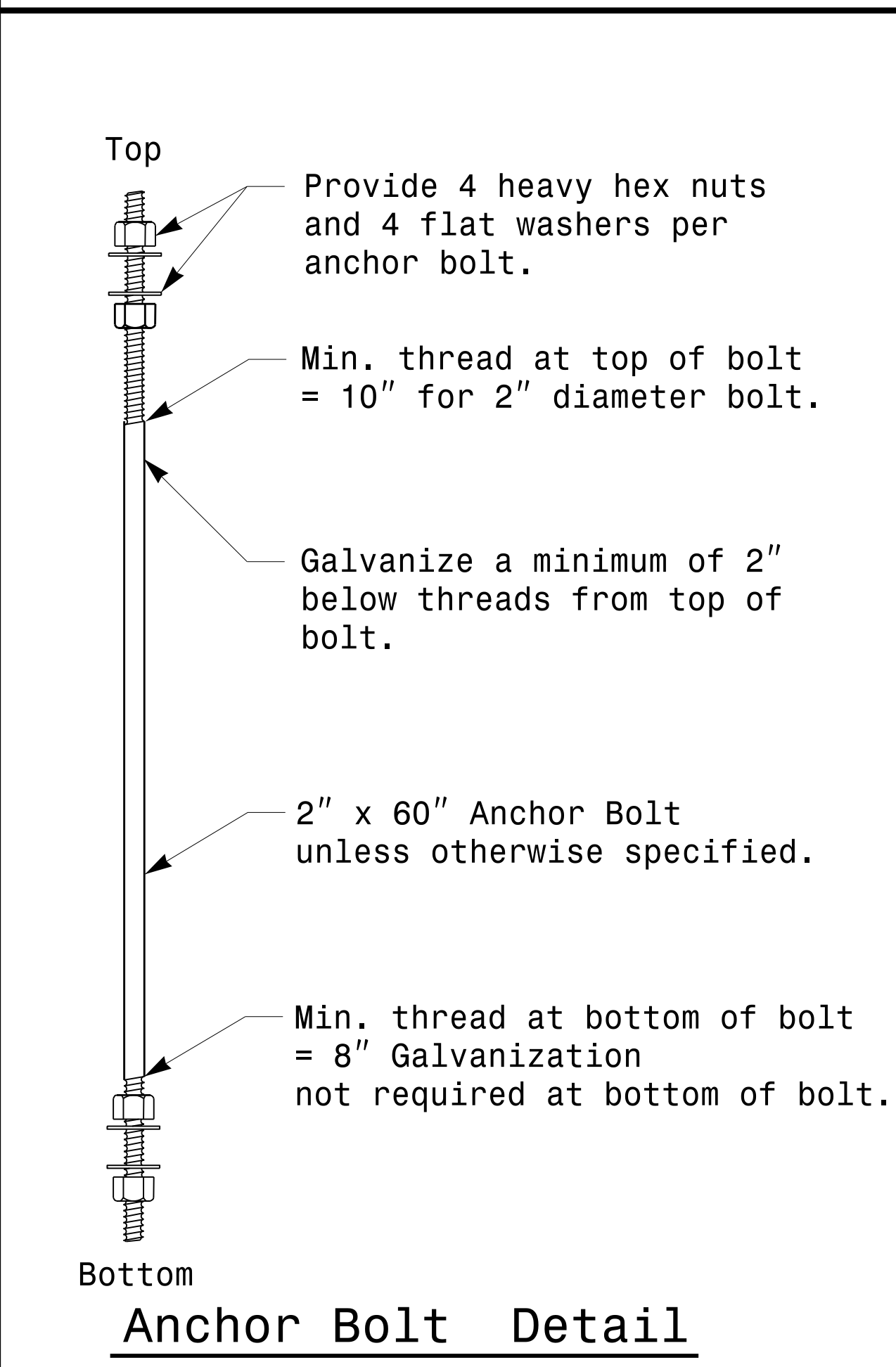
MFG _____ MFG. DATE: MM/YY SHAFT D/T/L/Y _____ ARM-A D/T/L/Y _____ ARM-B D/T/L/Y _____ A.B. DIA./B.C./L/Y _____ NCDOT SIG. INV. NO. _____ NCDOT POLE NO. _____	MFG _____ MFG. DATE:MM/YY SECTION D/T/L/Y _____ NCDOT SIG. INV. NO. _____ NCDOT POLE NO. _____
--	---

Shaft I.D. Tag
(Provide on Shaft of Strain Poles and Mast Arm Poles Shaft)

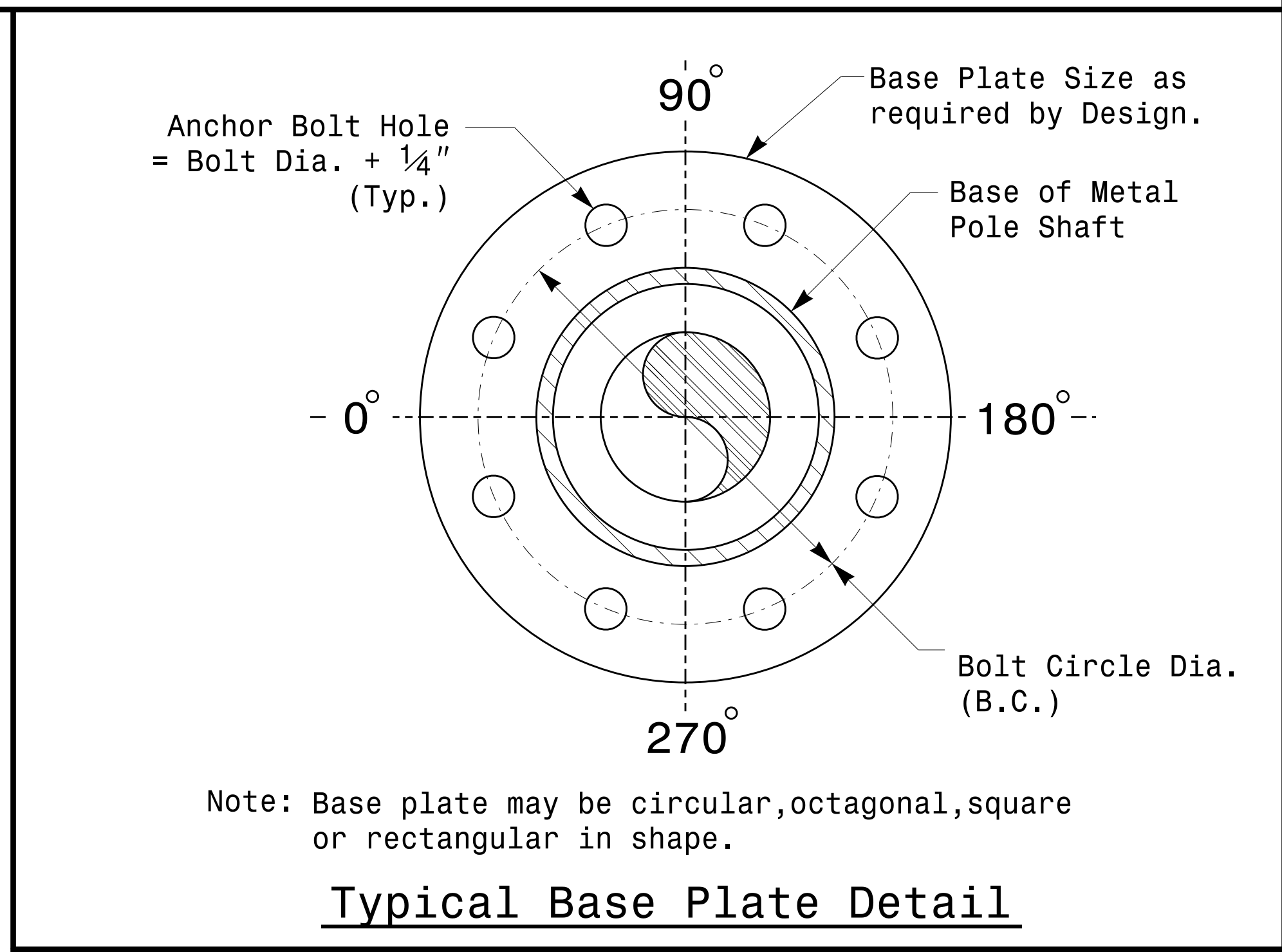
Arm I.D. Tag
(Provide on each section of a multi-section mast arm.)

- Notes:
- 1) D= Diameter, T= Thickness, L= Length, Y= Yield Strength
 - 2) A.B. = Anchor Bolt
 - 3) B.C. = Bolt Circle of Anchor Bolts
 - 4) If Custom Design, use "NCDOT STANDARD" line for Signal Inv. Number and pole I.D. number
 - 5) See drawing M3 and M4 for mounting positions of I.D. tags.

Identification Tag Details



Anchor Bolt Detail



Note: Base plate may be circular, octagonal, square or rectangular in shape.

Typical Base Plate Detail

Prepared In the Offices of: 750 N. Greenfield Pkwy, Garner, NC 27529	Typical Fabrication Details For All Metal Poles		SEAL DocuSigned by Debesh C. Sarkar 44E8E32E147E4C4...
	PLAN DATE: FEBRUARY 2016 PREPARED BY: N. BITTING	DESIGNED BY: C.F. ANDREWS REVIEWED BY: D.C. SARKAR	

17-FEB-2016 16:02:31 TSC04115 Signal Design Section Eastern Region\MS\2016\2014_Sig_M2_Std_Fabrication_Details.dgn