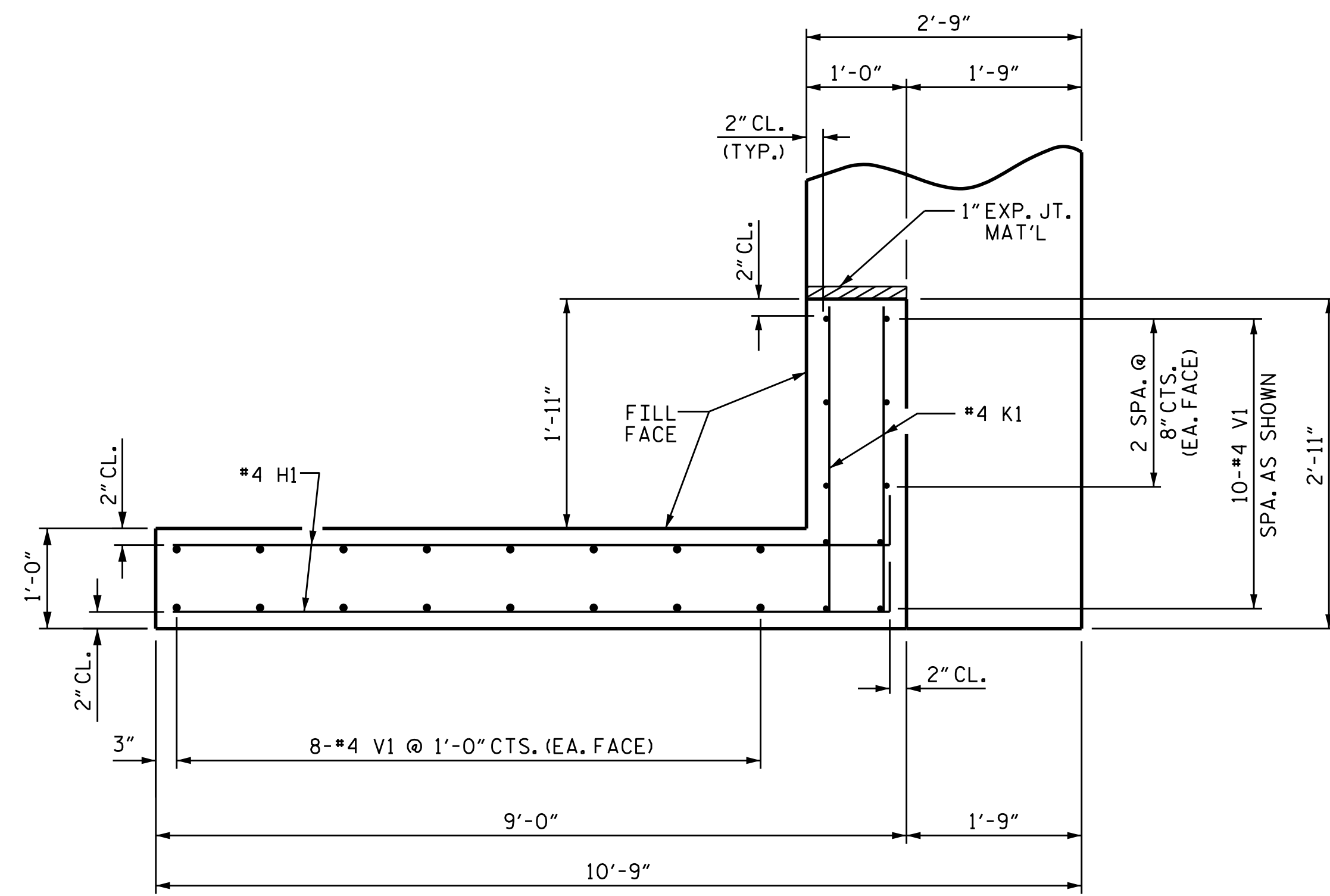
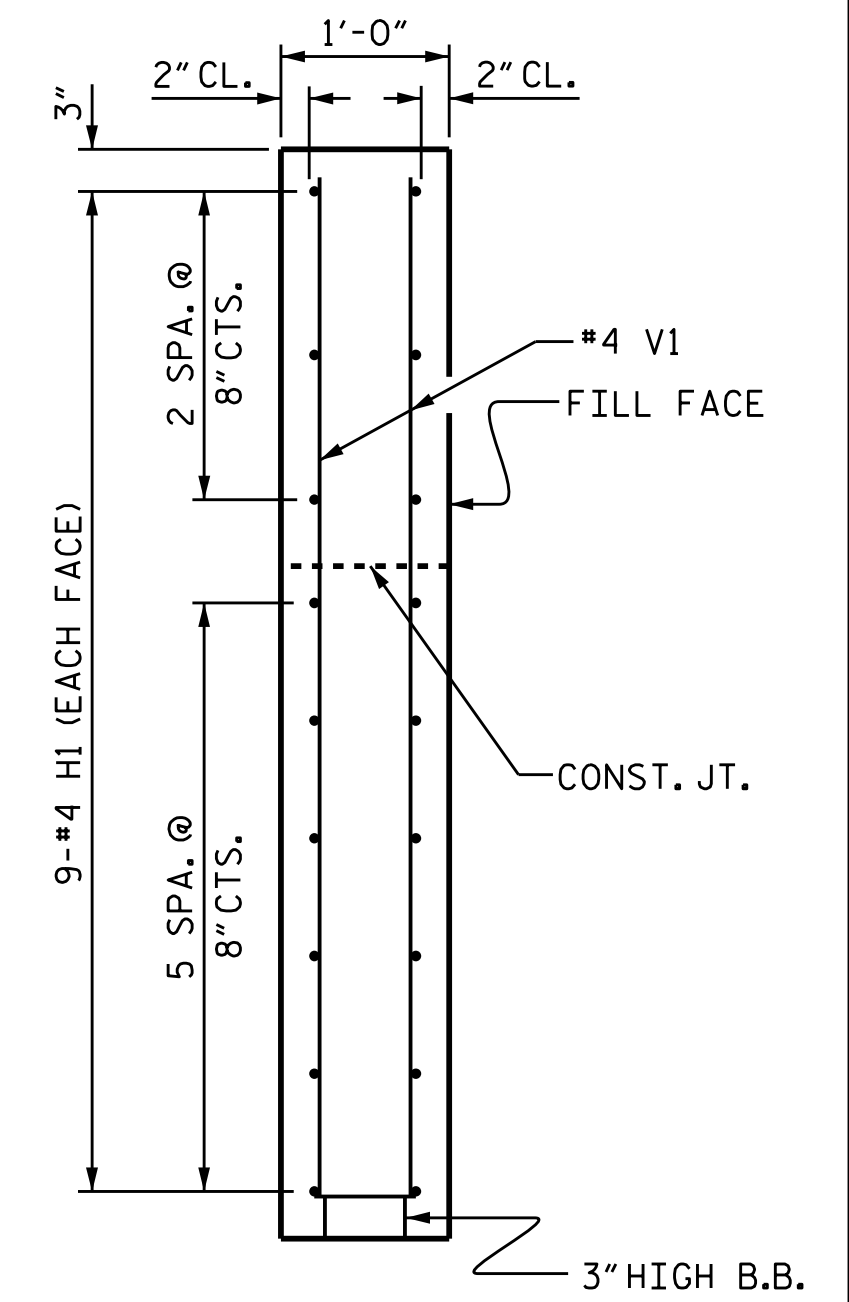


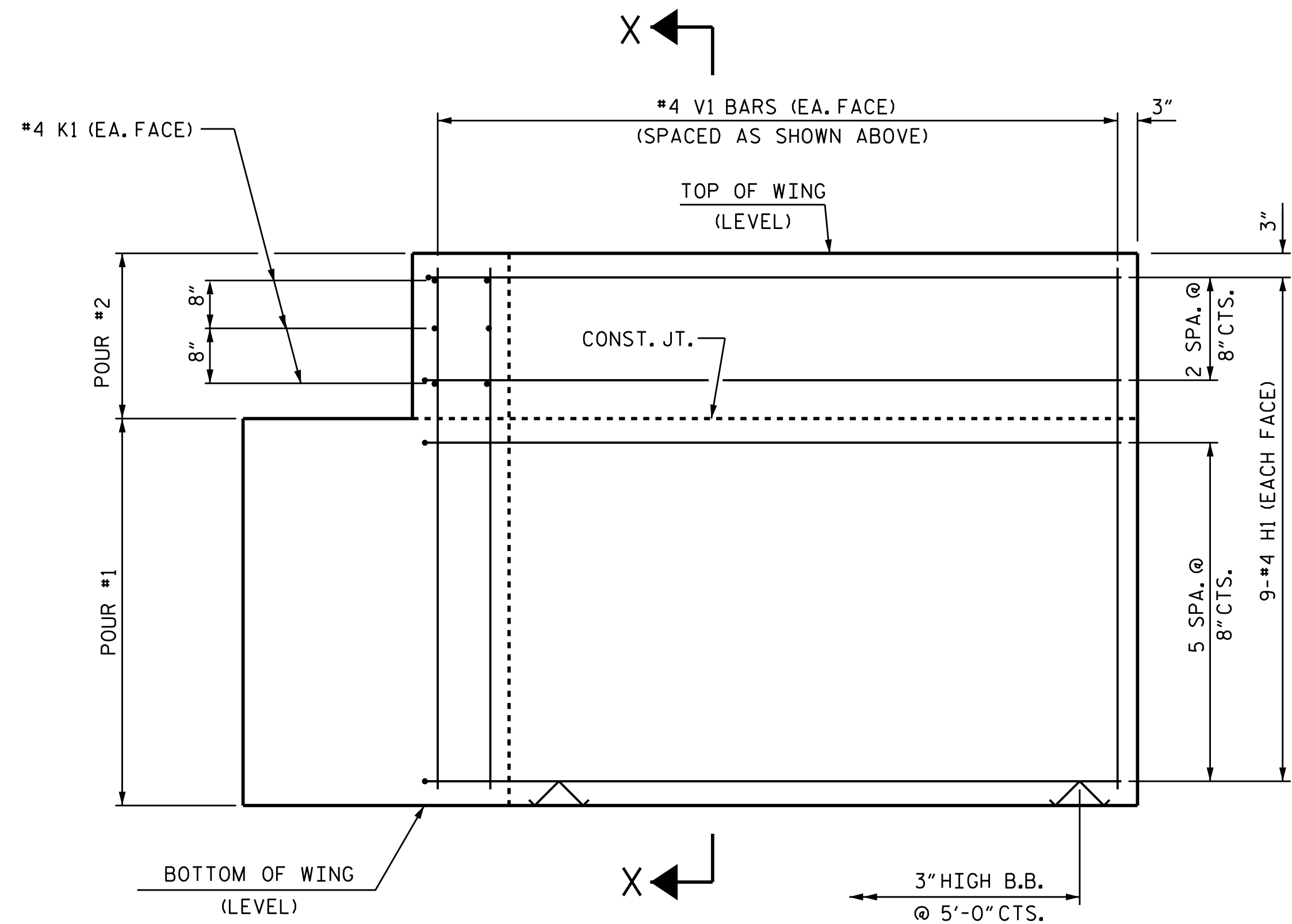
PLAN OF WING (W1)



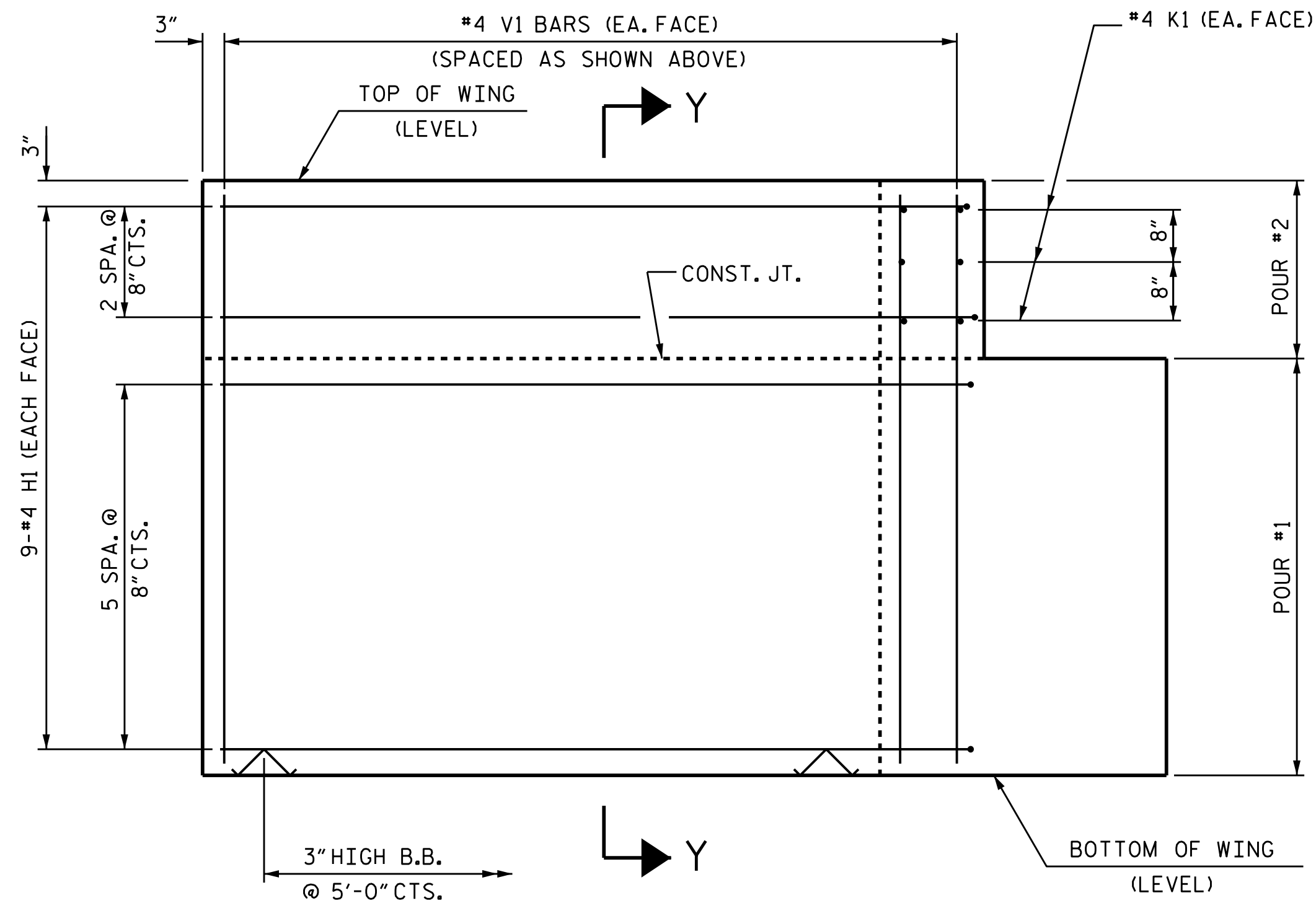
PLAN OF WING (W2)



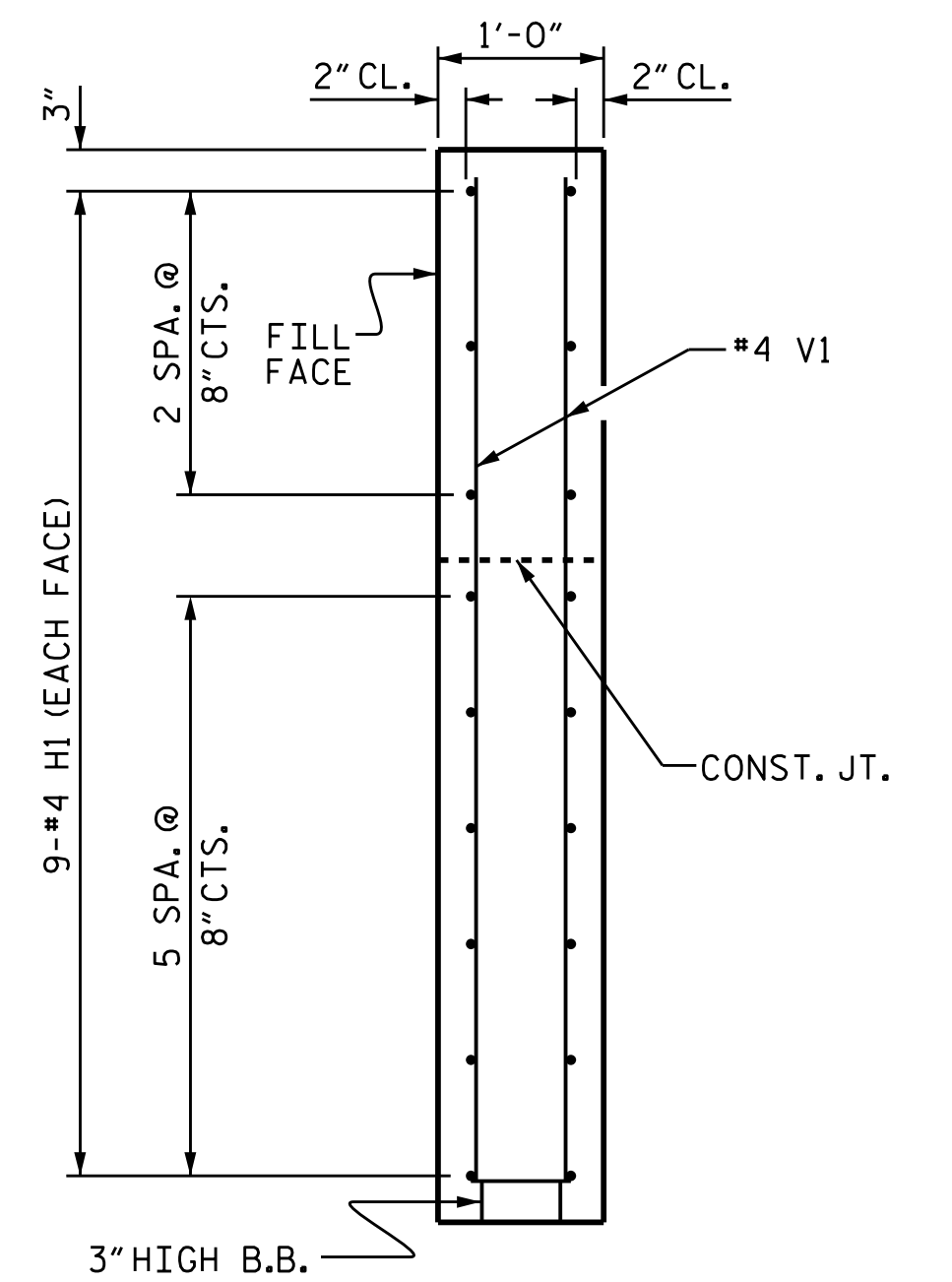
SECTION X-X



ELEVATION OF WING (W1)



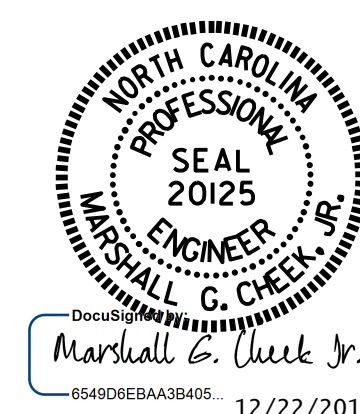
ELEVATION OF WING (W2)



SECTION Y-Y

PROJECT NO. B-5383
 AVERY COUNTY
 STATION: 12+71.00 -L-

SHEET 3 OF 4



STATE OF NORTH CAROLINA
 DEPARTMENT OF TRANSPORTATION
 RALEIGH

SUBSTRUCTURE
 END BENT
 WING DETAILS

DRAWN BY: M. POOLE DATE: 9-16
 CHECKED BY: W. J. HARRIS DATE: 11-16
 DESIGN ENGINEER OF RECORD: W. J. HARRIS DATE: 11-16

DOCUMENT NOT CONSIDERED
 FINAL UNLESS ALL
 SIGNATURES COMPLETED

REVISIONS						SHEET NO.	
NO.	BY:	DATE:	NO.	BY:	DATE:	S-11	
1			3			TOTAL SHEETS	
2			4			16	

WING DETAILS