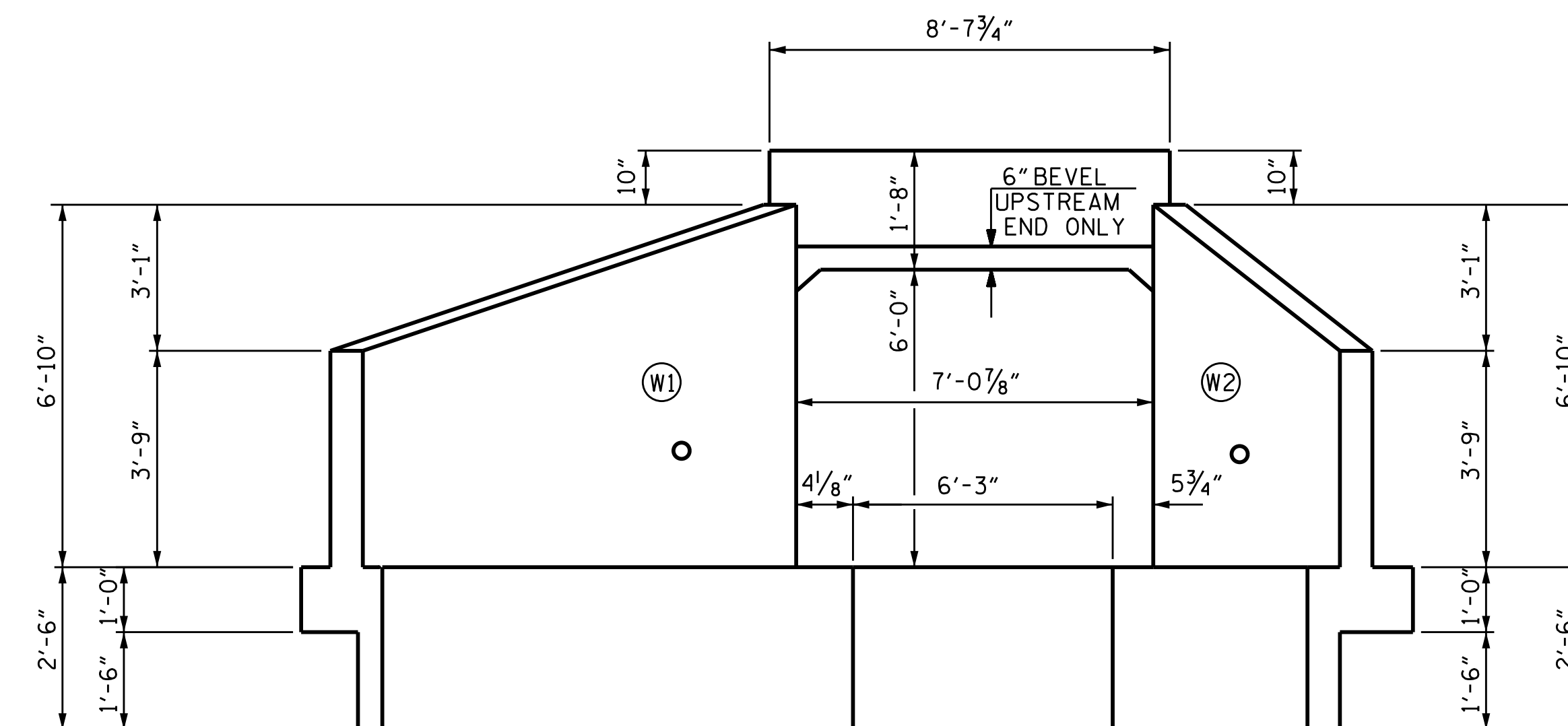
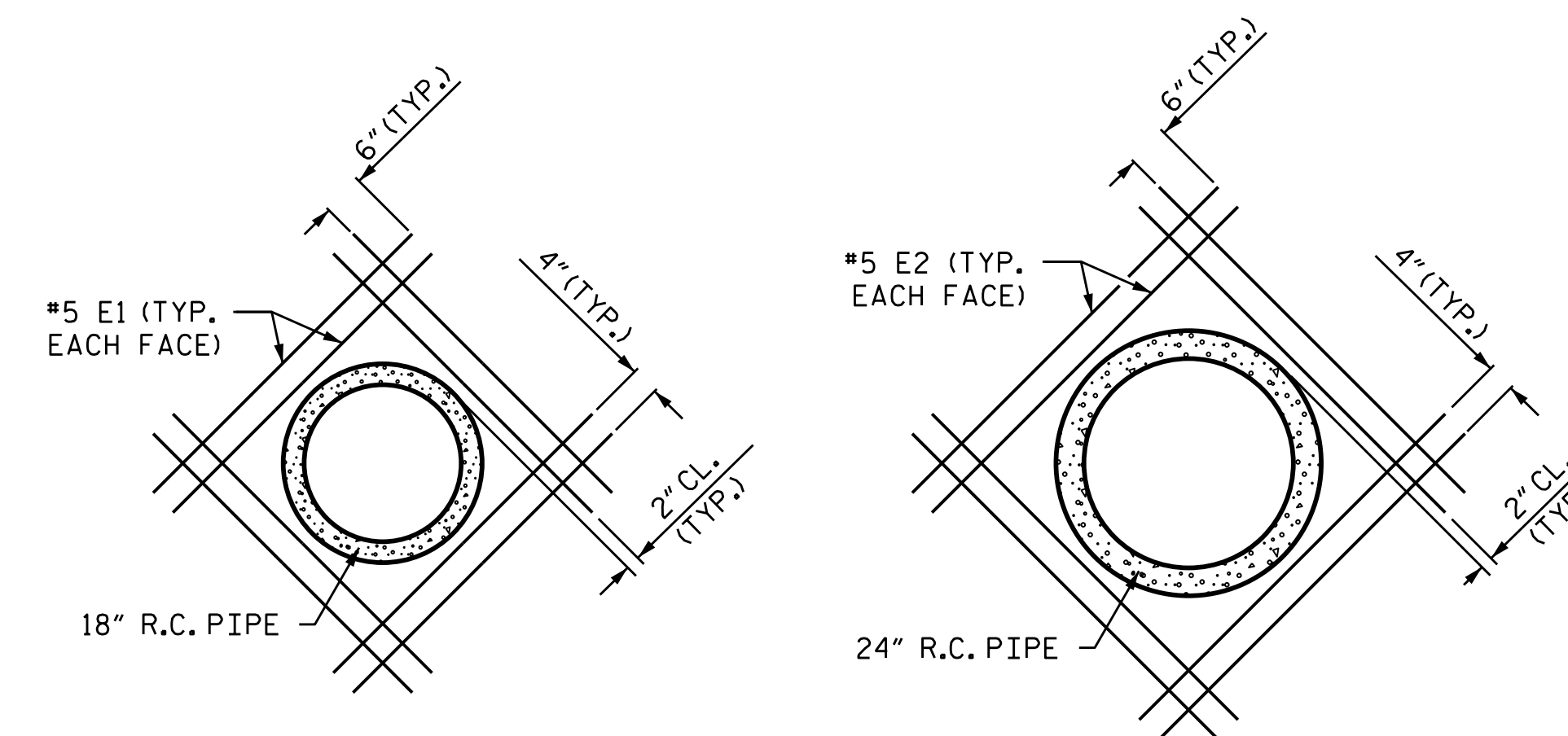


CULVERT SECTION NORMAL TO ROADWAY



END ELEVATION NORMAL TO SKEW



DETAIL OF REINFORCING AROUND 18" OR 24" Ø PIPE

PROJECT NO. R-5023B
ONslow COUNTY
 STATION: 87+41.00 -L-

SHEET 3 OF 6



DocuSigned by:
 A. Keith Paschal
 FB66A0E0B2FC48F

8/9/2016

STATE OF NORTH CAROLINA
 DEPARTMENT OF TRANSPORTATION
 RALEIGH
 BARREL STANDARD
 SINGLE 6 FT. X 6 FT.
 CONCRETE BOX CULVERT
 122° SKEW
 1971

REVISIONS						SHEET NO.
NO.	BY:	DATE:	NO.	BY:	DATE:	C-3
1			3			TOTAL SHEETS
2			4			6

DOCUMENT NOT CONSIDERED
 FINAL UNLESS ALL
 SIGNATURES COMPLETED

STD. NO. CB331

REVISED 8-28-92 BY E.L.R. CHECKED BY G.R.P.
 REVISED 8-22-89 BY A.R.B. CHECKED BY C.R.K.
 REDRAWN 8-22-89

REVISED 11-19-99 BY M.M. CHECKED BY R.W.W.

ASSEMBLED BY : P.N.HOLDER DATE : 10/15
 CHECKED BY : A.K.PATEL DATE : 10/15
 DESIGN ENGINEER OF RECORD : P.N.HOLDER DATE : 10/15