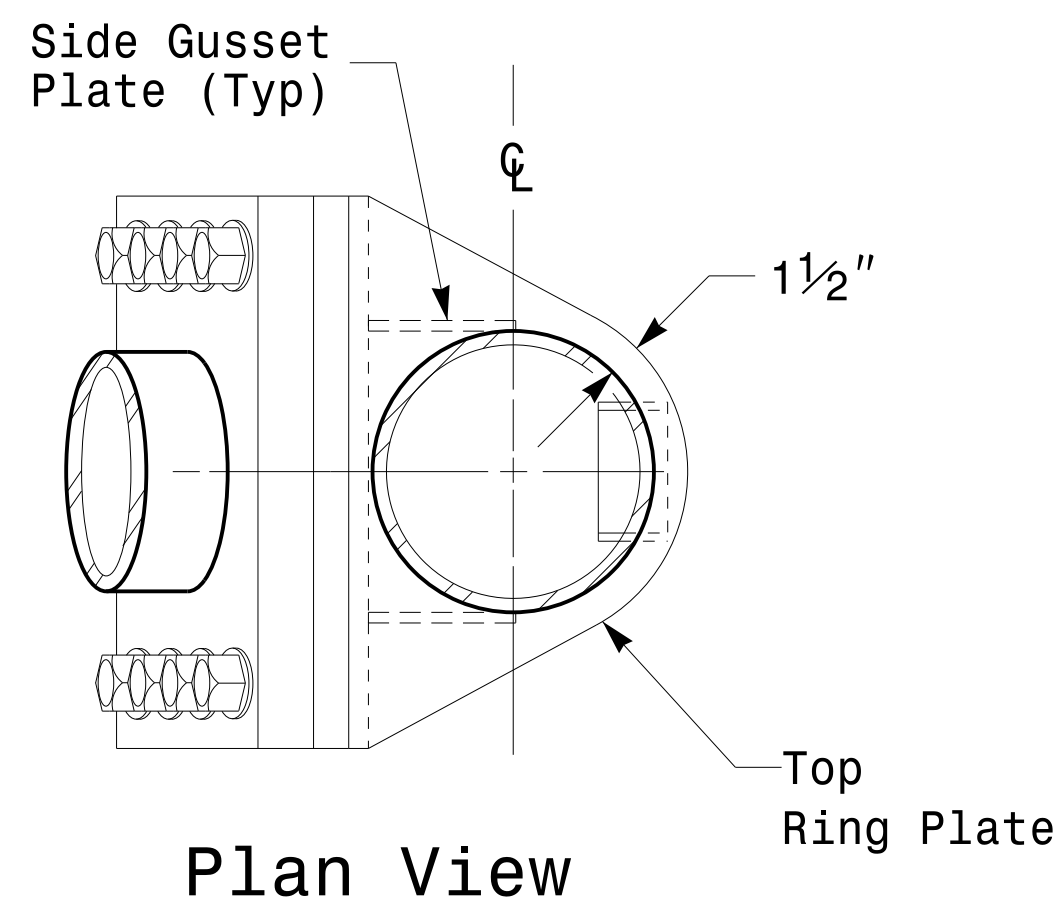
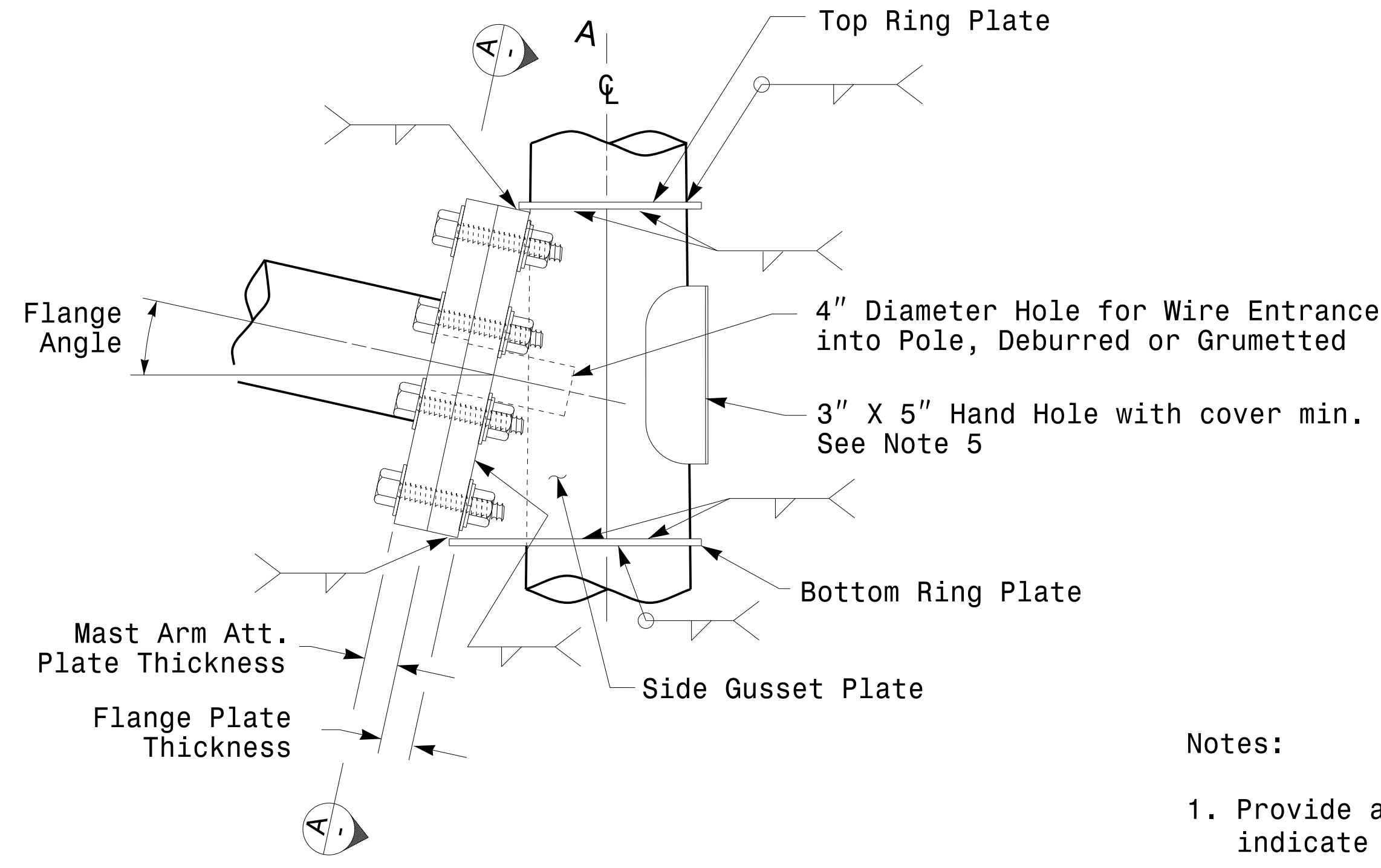


Welded Ring Stiffened Mast Arm Connection

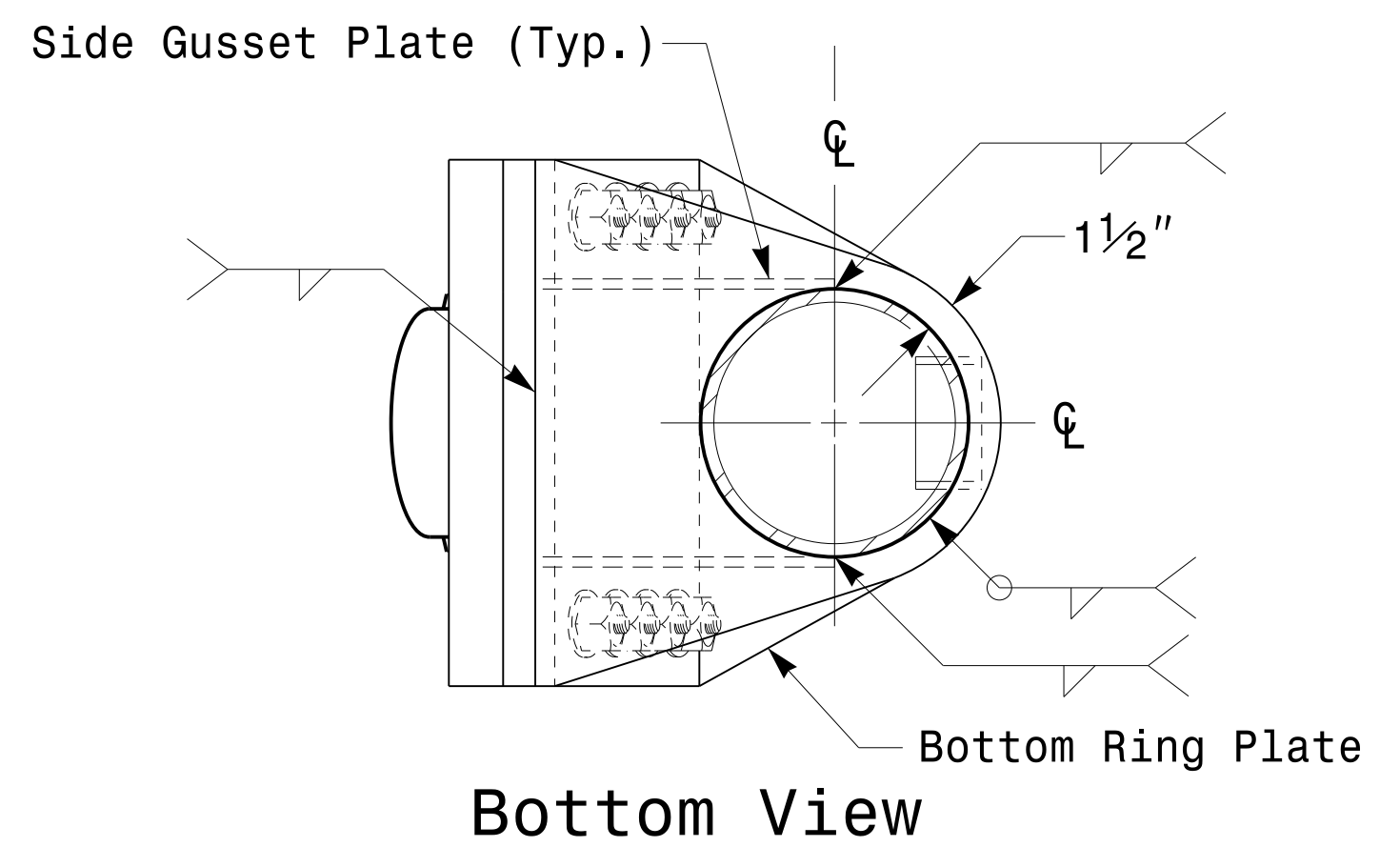
PROJECT ID. NO.	SHEET NO.
R-5023B	Sig.M5



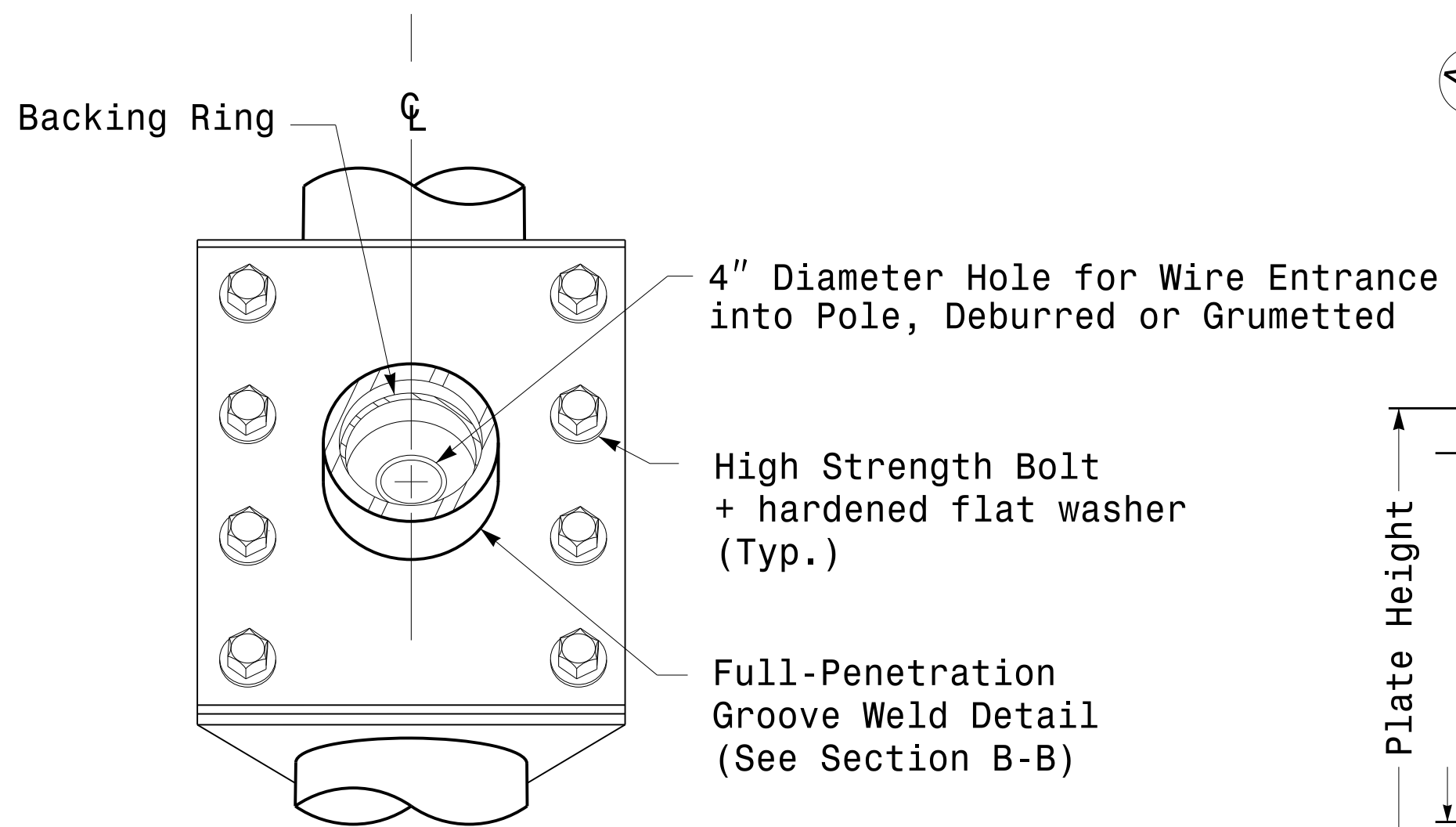
Plan View



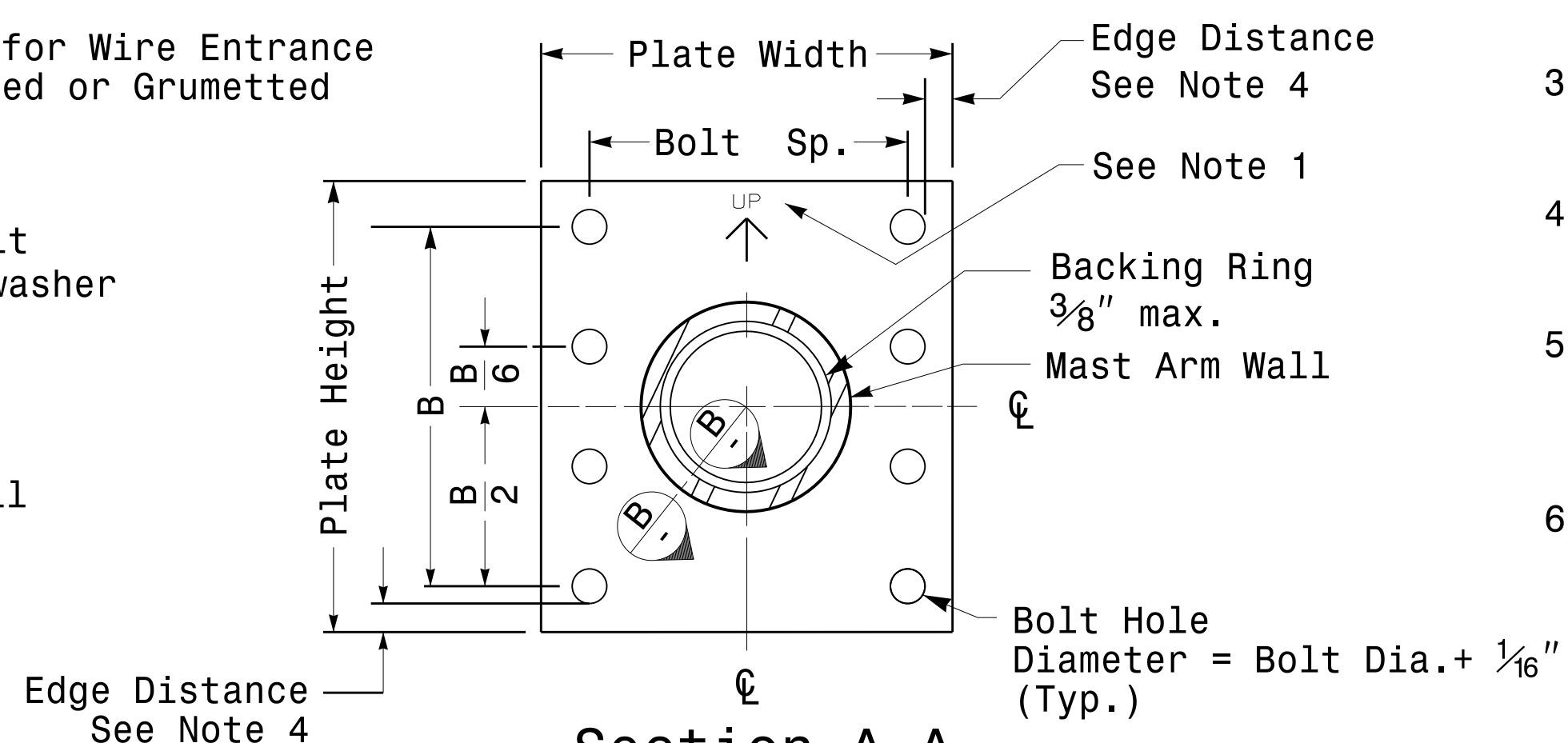
Side Elevation View



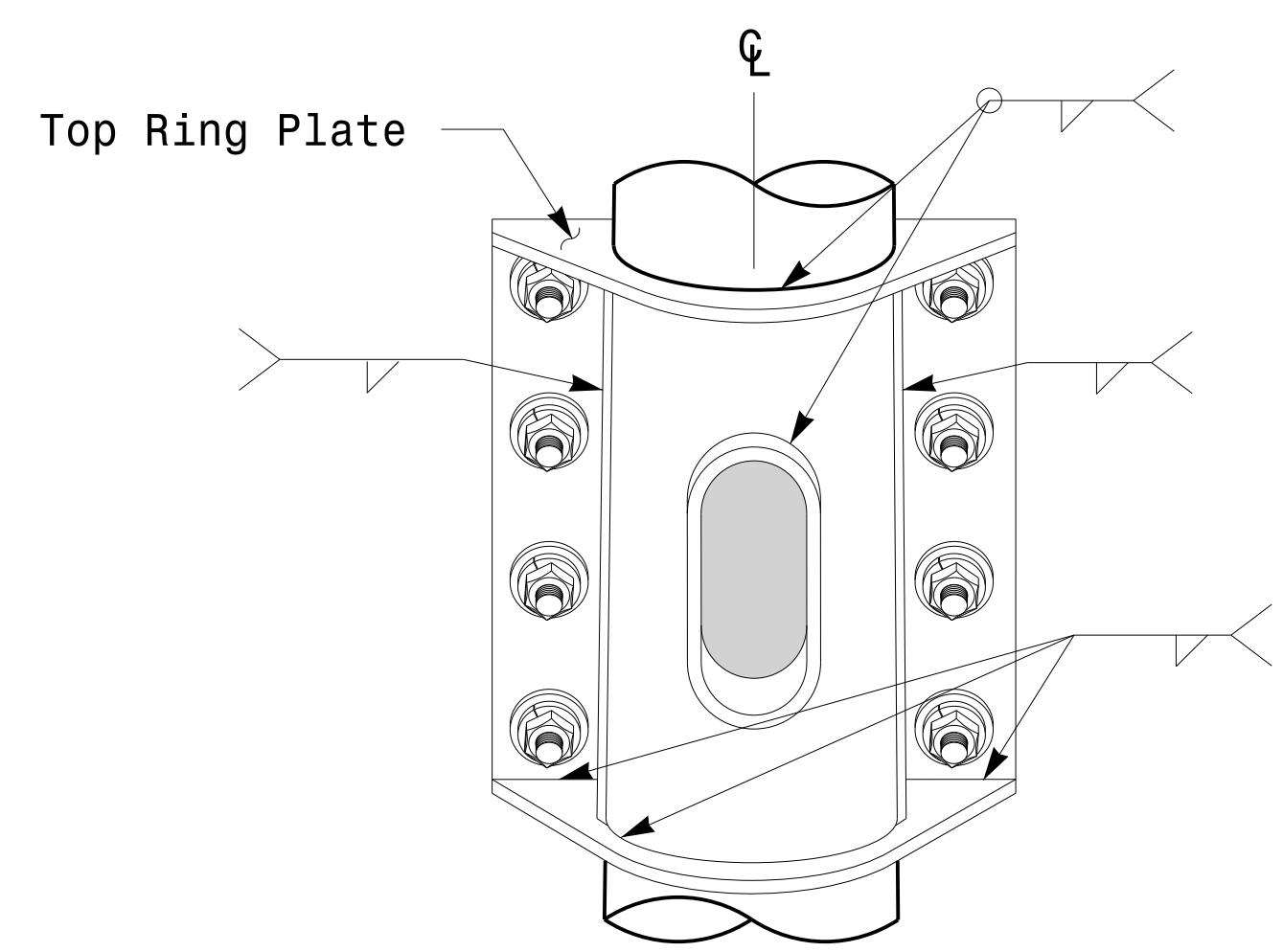
Bottom View



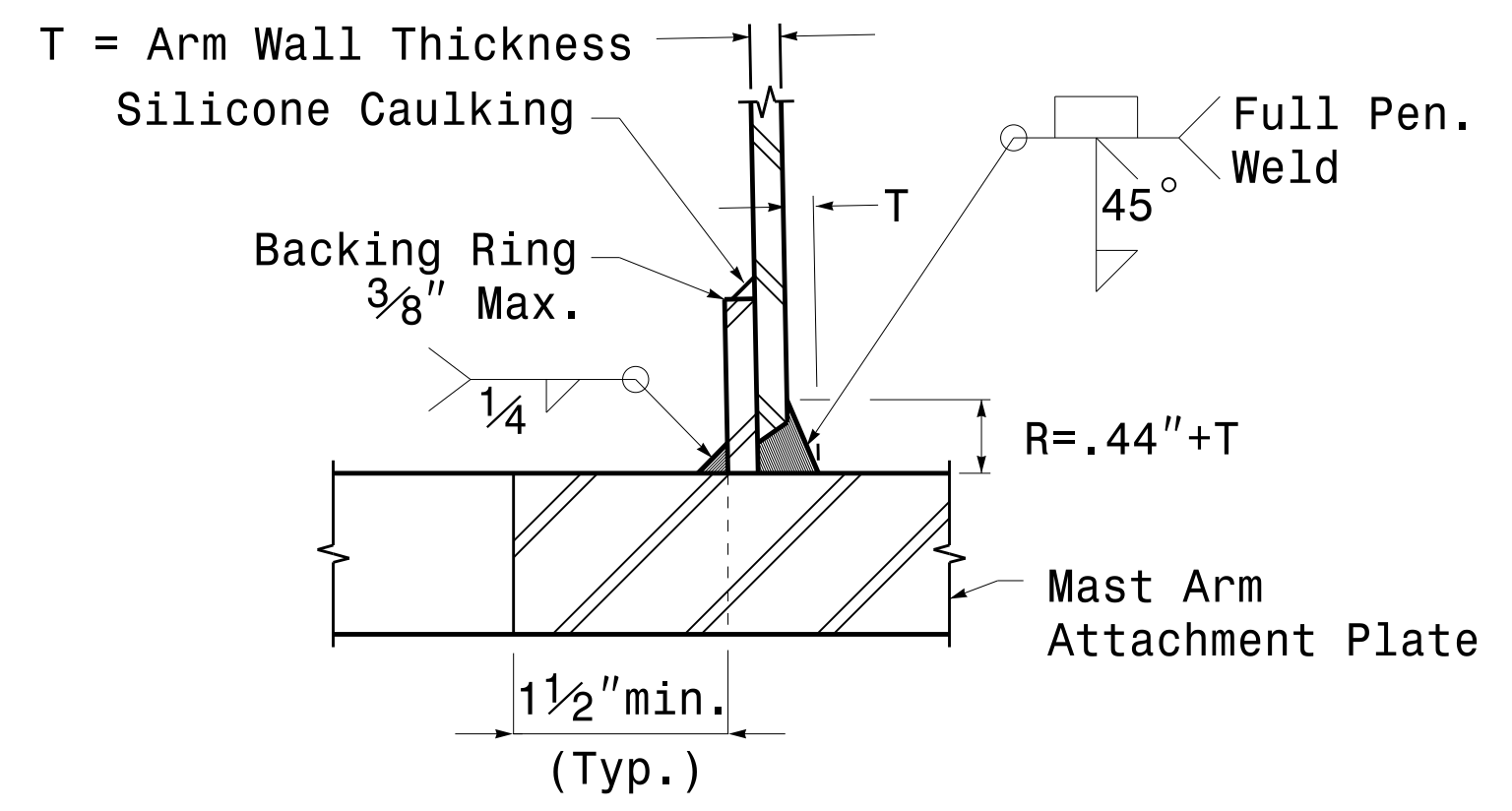
Front Elevation View



Section A-A Mast Arm Attachment Plate



Back Elevation View



Section B-B Full-Penetration Groove Weld Detail

Notes:

1. Provide a permanent means of identification above the mast arm to indicate proper attachment orientation of the mast arm.
2. Designer will determine the size of all structural components, plates, fasteners, and welds shown unless they are already specified.
3. Fabricator is responsible for providing appropriate holes at drainage points to drain galvanizing materials.
4. For minimum edge distance follow AISC Table J3.4 and J3.5. For nominal bolt hole size use Table J3.3.
5. Provide upper handhole as necessary when shaft extensions are required for luminaire arms or camera. For poles without luminaires/camera, wiring can be done through the top of pole.
6. Allowable range of flange tilt angle will vary from 0° to as required.

	Typical Fabrication Details For Mast Arm Connection To Pole	
	PLAN DATE: FEBRUARY 2016 PREPARED BY: N. BITTING	DESIGNED BY: C.F. ANDREWS REVIEWED BY: D.C. SARKAR
SCALE: 0 NA NONE	REVISIONS:	INIT. DATE:
DocuSigned by: <i>Debesh C. Sarkar</i>		DATE: 2/17/2016

17-FEB-2016 16:06
 T:\SCD\W115\Sig.M5.dgn
 Design Section\Eastern Region\W115\Sig.M5.dgn
 Connection Fabrication Detail\Mast Arm Pole.dgn

Fabrication Details - Mast Arm Connection