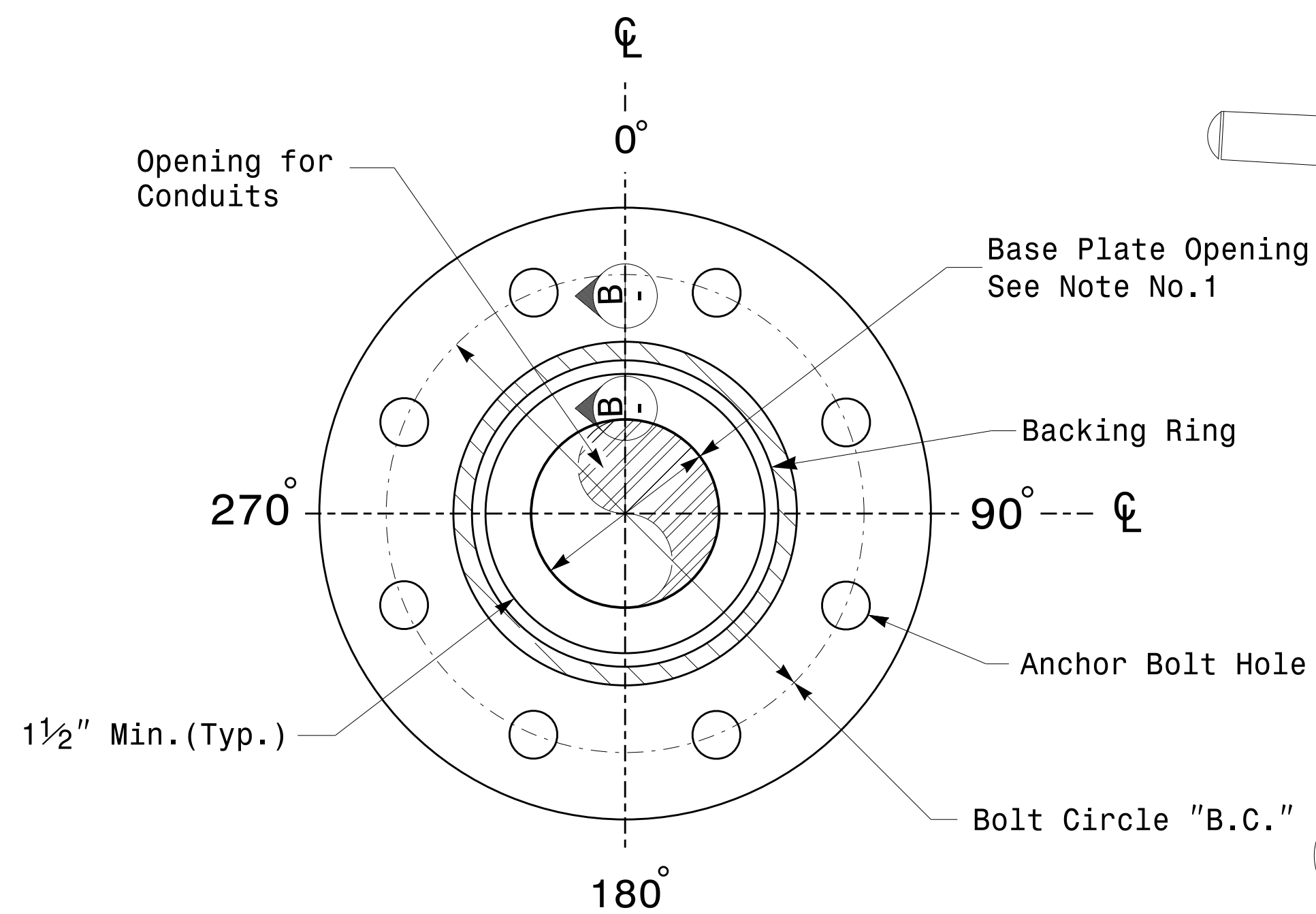
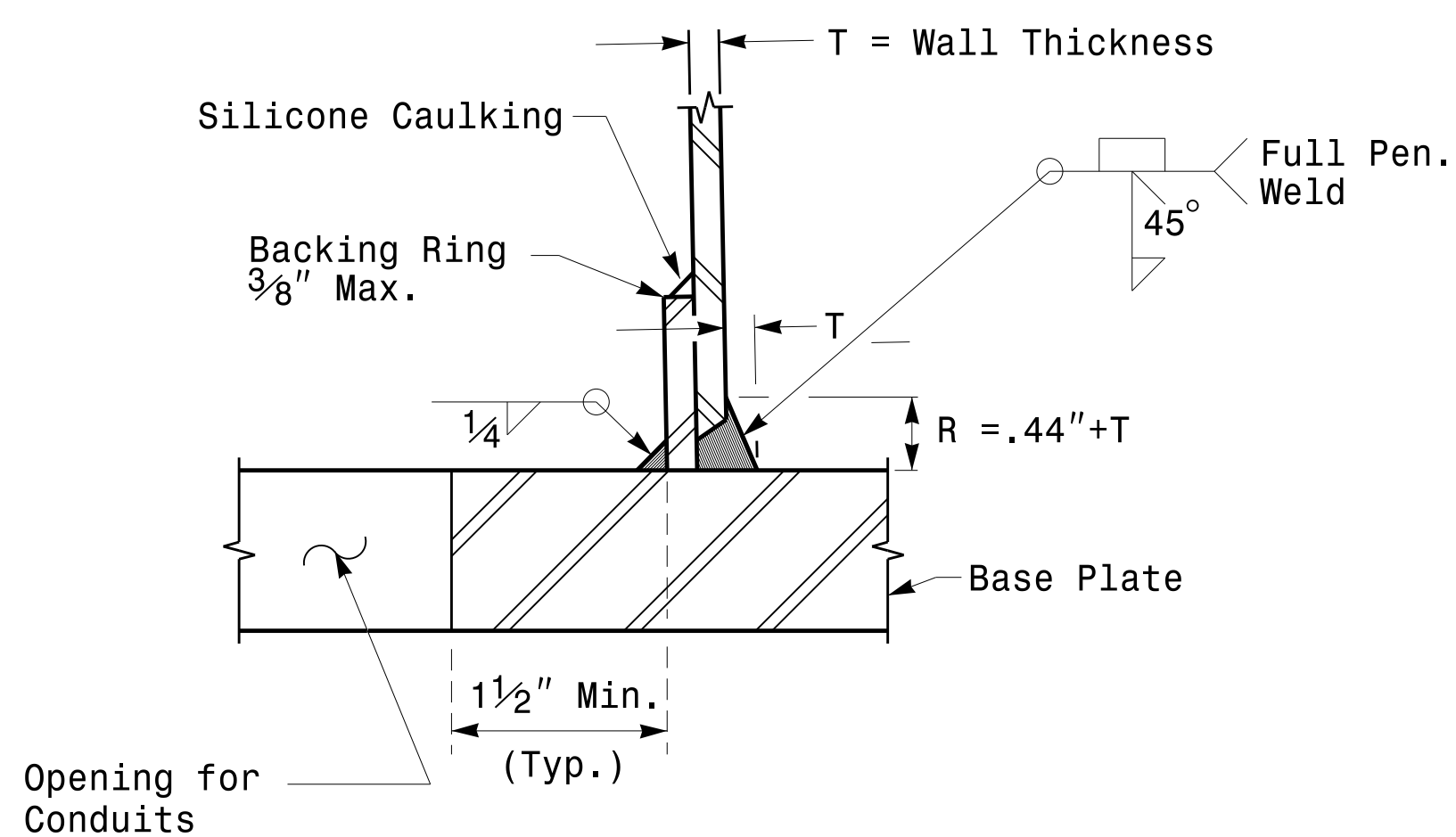


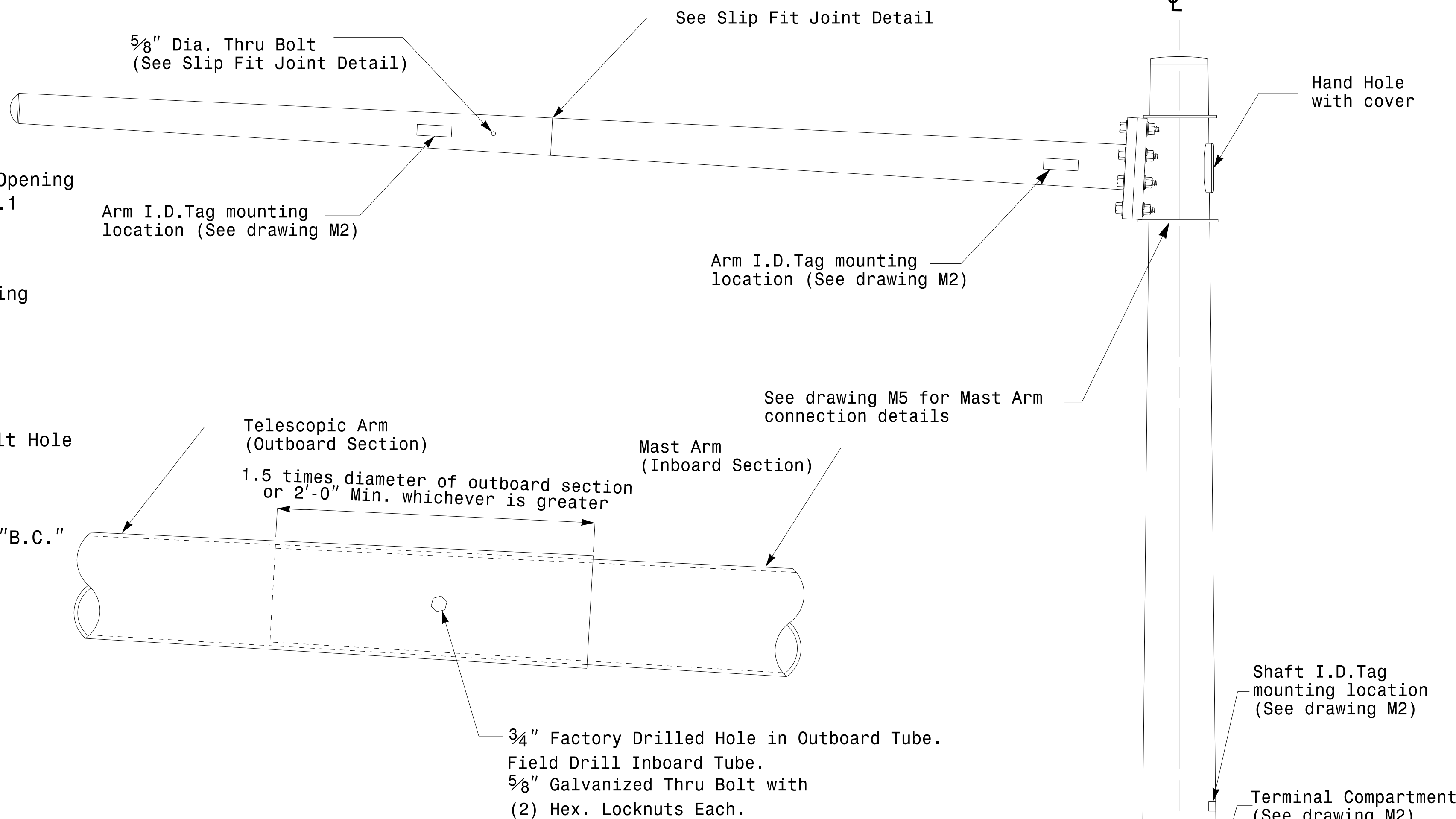
Note:
 1. Opening in pole base plate shall be equal to pole base inside diameter minus 3 1/2" but shall not be less than 8 1/2".



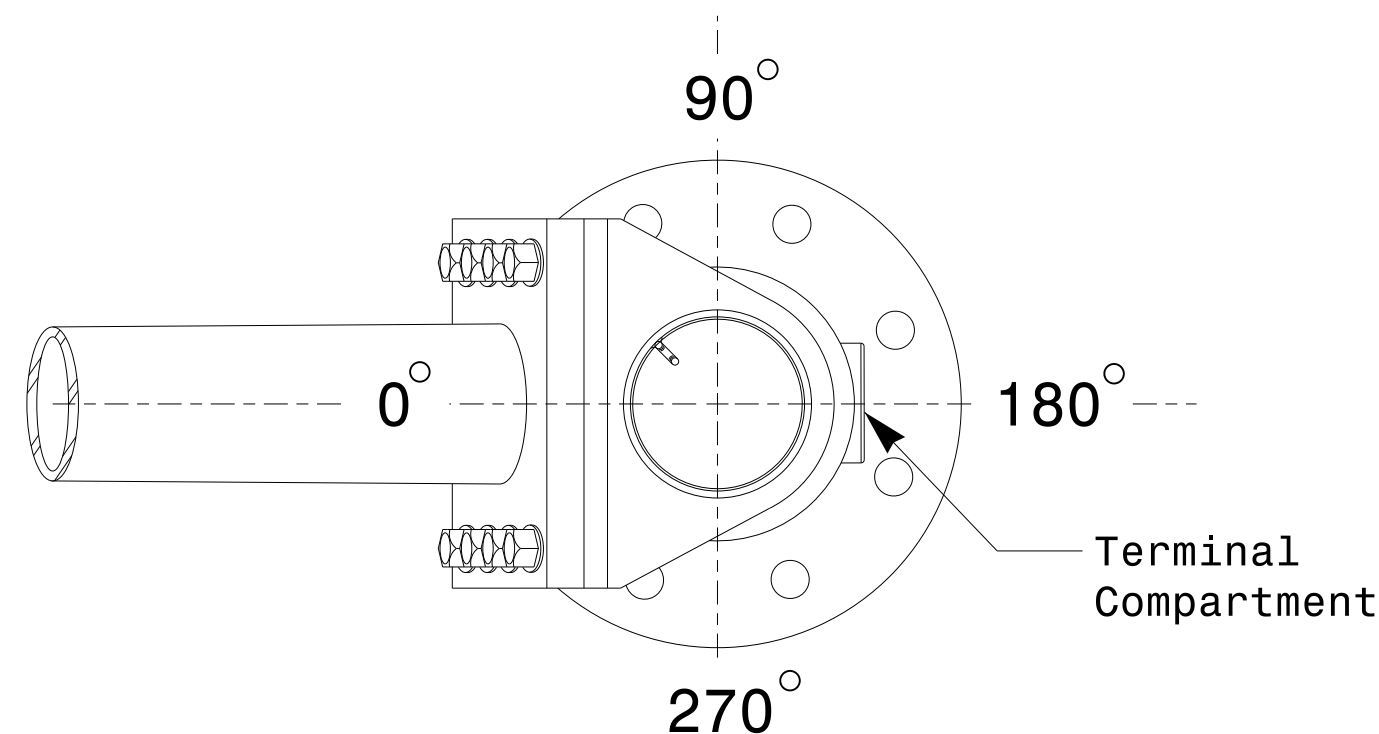
Section A-A
 Pole Base Plate Details



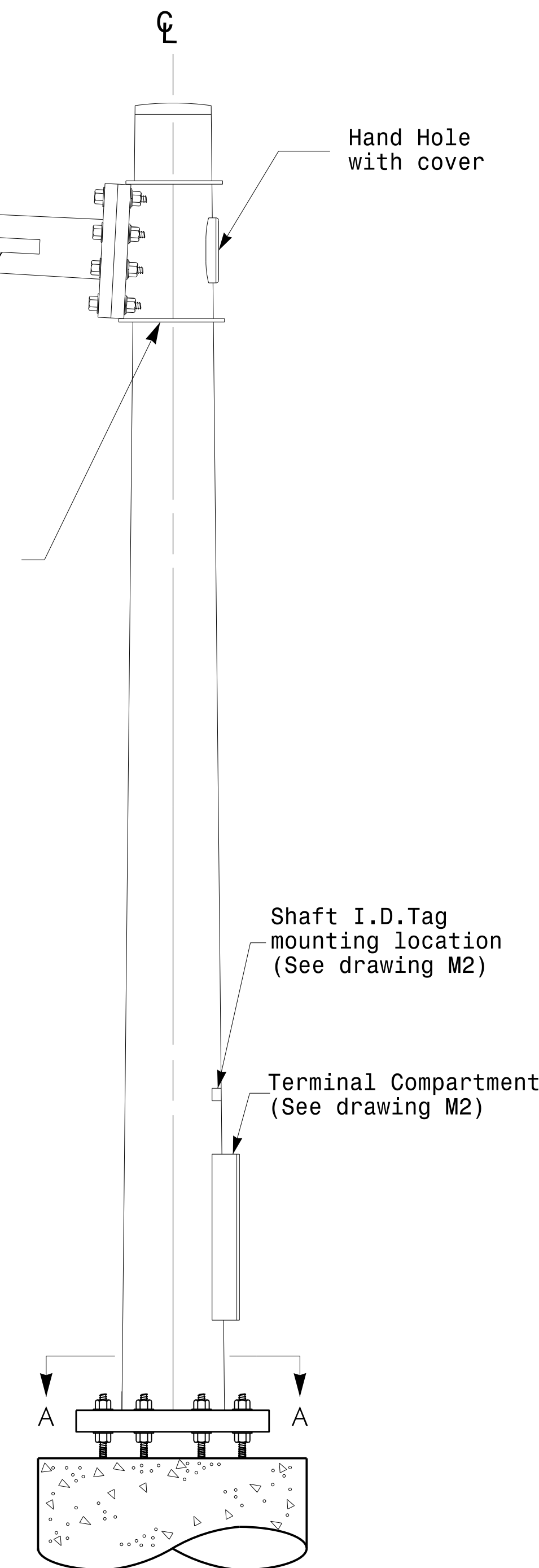
Section B-B
 (Pole Attachment to Base Plate)
 Full-Penetration Groove Weld Detail



Slip Fit Joint Detail for Mast Arm



Mast Arm Radial Orientation



Mast Arm Pole

Fabrication Details – Mast Arm Poles

	Typical Fabrication Details For Mast Arm Poles		SEAL
	PLAN DATE: FEBRUARY 2016 PREPARED BY: N. BITTING	DESIGNED BY: K.C. DURIGON REVIEWED BY: D.C. SARKAR	
SCALE: 0 NA NONE	REVISIONS:	INIT.:	DATE:
DocuSigned by 			44E8E32E147E4C4...

17-FEB-2016 16:05:13 TSC04115 Signal Design Section Eastern Region\m4 Sheets\2016\2014_Sig.M4_Shd_Fabrication_Details-Mast_Arm_Poles.dgn