

MFG _____ MFG. DATE: MM/YY	MFG _____ MFG. DATE:MM/YY
SHAFT D/T/L/Y _____	SECTION D/T/L/Y _____
ARM-A D/T/L/Y _____	NCDOT SIG. INV. NO. _____
ARM-B D/T/L/Y _____	NCDOT POLE NO. _____
A.B. DIA./B.C./L/Y _____	
NCDOT SIG. INV. NO. _____	
NCDOT POLE NO. _____	

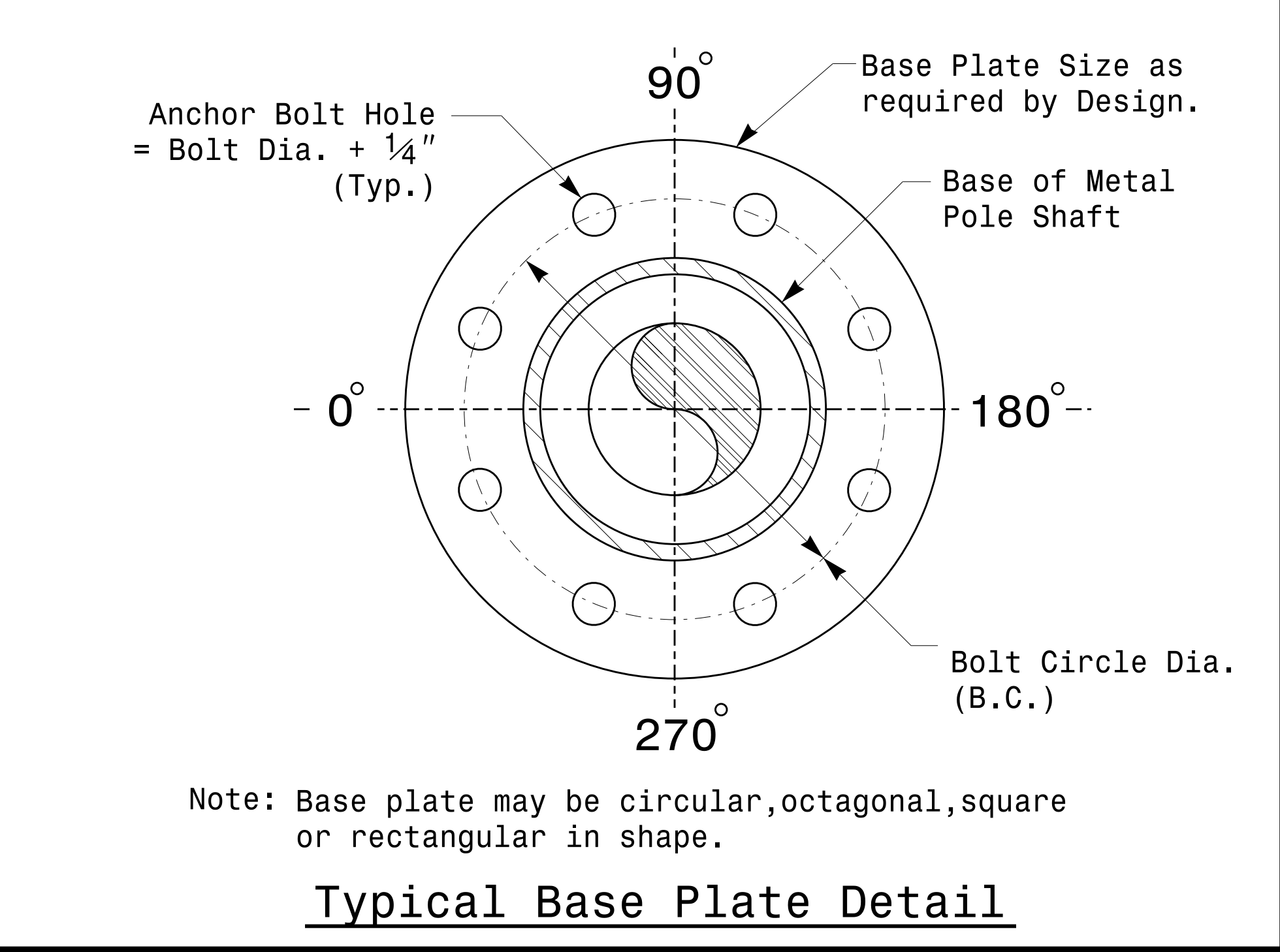
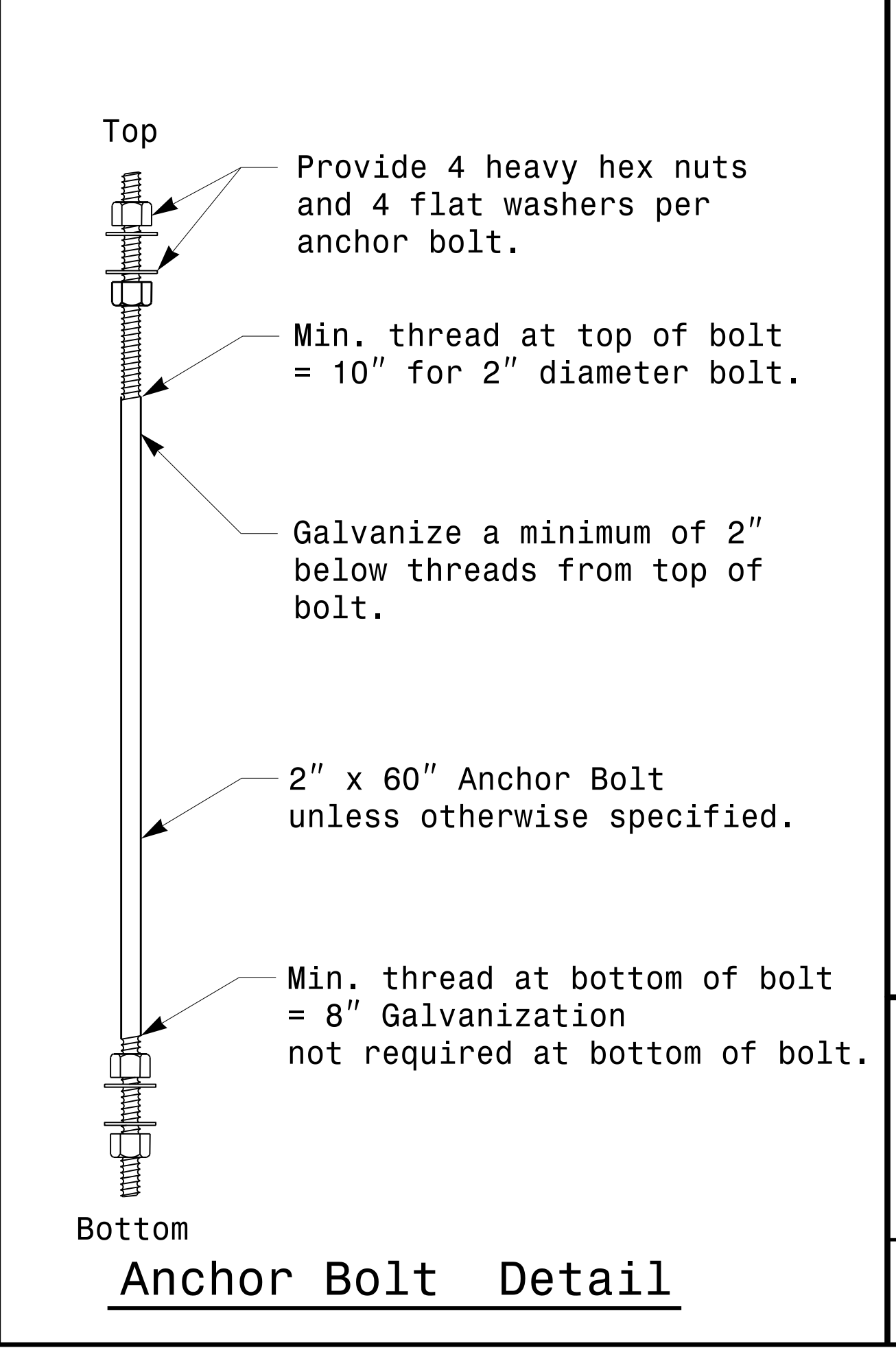
Shaft I.D. Tag
(Provide on Shaft of Strain Poles and Mast Arm Poles Shaft)

Arm I.D. Tag
(Provide on each section of a multi-section mast arm.)

Notes:

- 1) D= Diameter, T= Thickness, L= Length, Y= Yield Strength
- 2) A.B. = Anchor Bolt
- 3) B.C. = Bolt Circle of Anchor Bolts
- 4) If Custom Design, use "NCDOT STANDARD" line for Signal Inv. Number and pole I.D. number
- 5) See drawing M3 and M4 for mounting positions of I.D. tags.

Identification Tag Details



	Typical Fabrication Details For All Metal Poles			
	PLAN DATE: FEBRUARY 2016	DESIGNED BY: C.F. ANDREWS		REVIEWED BY: D.C. SARKAR
	PREPARED BY: N. BITTING	REVISIONS: _____		INITI: _____ DATE: _____

DocuSigned by: **Debesh C. Sarkar** 44E8E32E147E4C4...

2/17/2016 DATE

17-FEB-2016 16:02:31 TSC04115 Signal&Sign Design Section Eastern Region 20160204 Sig.M2 Std. Fabrication Detail-All Poles.dgn