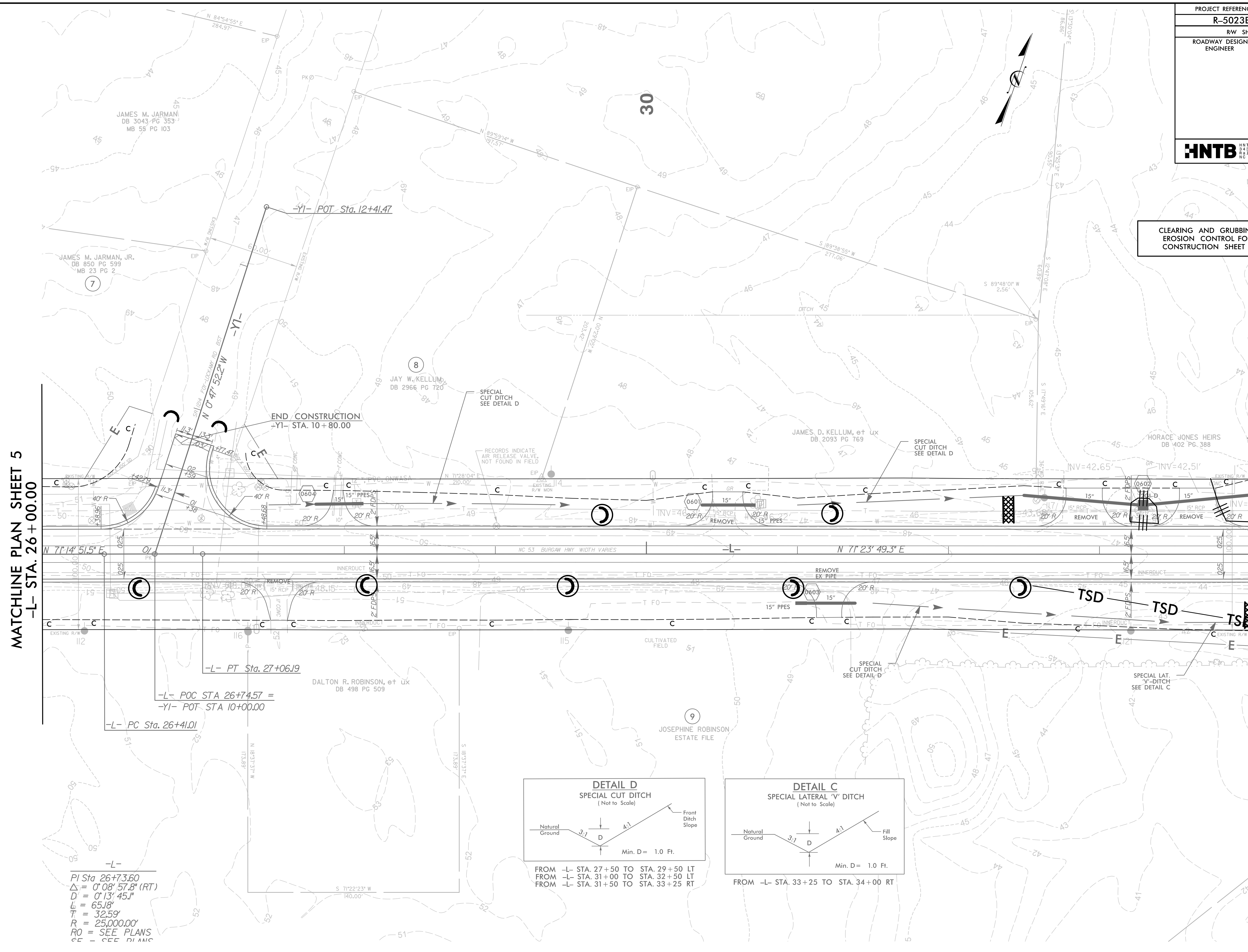


PROJECT REFERENCE NO.	SHEET NO.
R-5023B	EC-6/CONST.6
RW SHEET NO.	
ROADWAY DESIGN ENGINEER	HYDRAULICS ENGINEER
<b>HNTB</b>	
<small>HNTB NORTH CAROLINA, P.C.        343 E. Six Forks Road, Suite 200        Raleigh, North Carolina 27609        NC License No: C-1554</small>	

CLEARING AND GRUBBING  
EROSION CONTROL FOR  
CONSTRUCTION SHEET 6

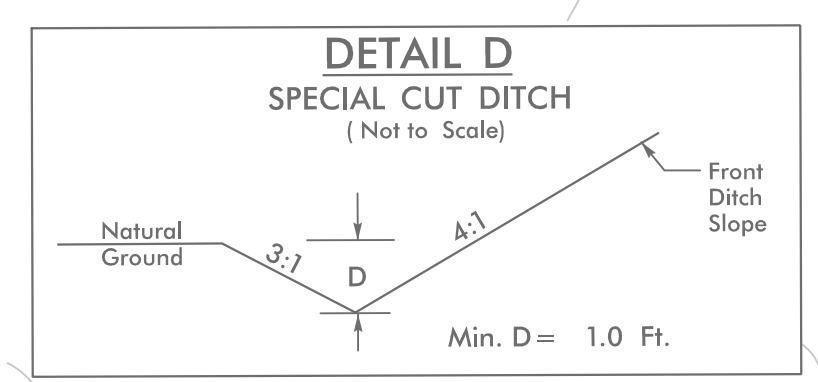


MATCHLINE PLAN SHEET 5  
-L- STA. 26+00.00

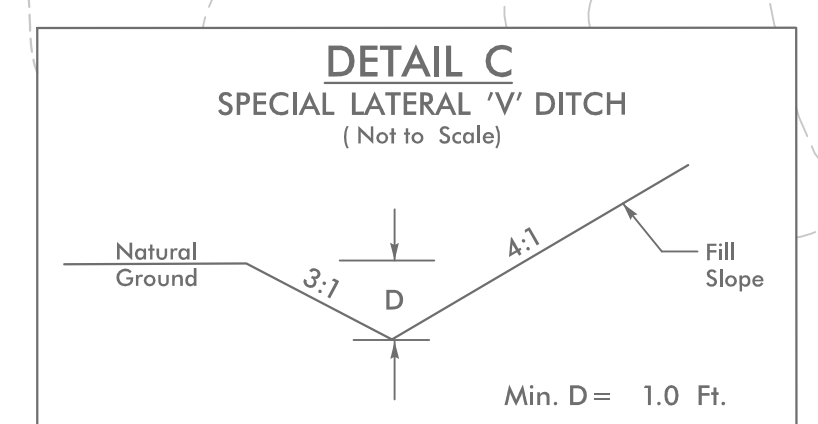
MATCHLINE PLAN SHEET 7  
-L- STA. 34+00.00

REVISIONS

-L-  
 PI Sta 26+73.60  
 $\Delta = 0^{\circ} 08' 57.8''$  (RT)  
 $D = 0' 13' 45.1''$   
 $L = 65.18'$   
 $T = 32.59'$   
 $R = 25,000.00'$   
 RO = SEE PLANS  
 CE = SEE PLANS



FROM -L- STA. 27+50 TO STA. 29+50 LT  
 FROM -L- STA. 31+00 TO STA. 32+50 LT  
 FROM -L- STA. 31+50 TO STA. 33+25 RT



FROM -L- STA. 33+25 TO STA. 34+00 RT

4:36:04 PM  
 8/17/99  
 48223BC.cg.psh\_6.dgn  
 HNTB