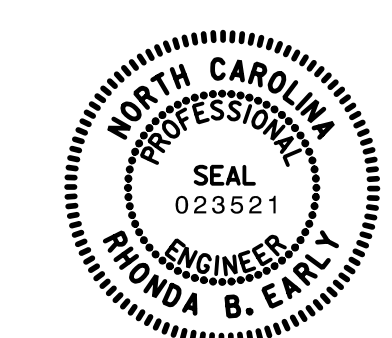
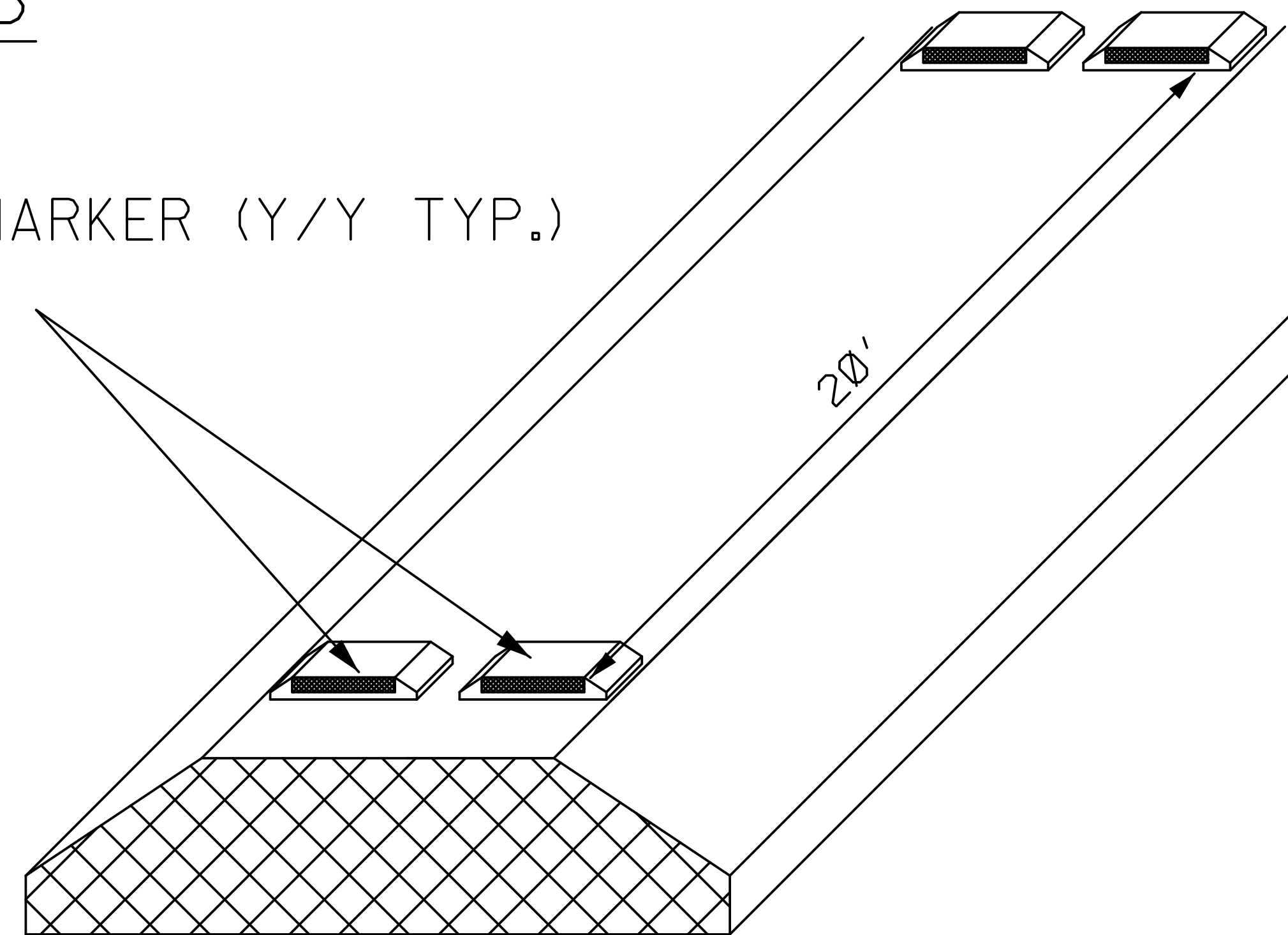
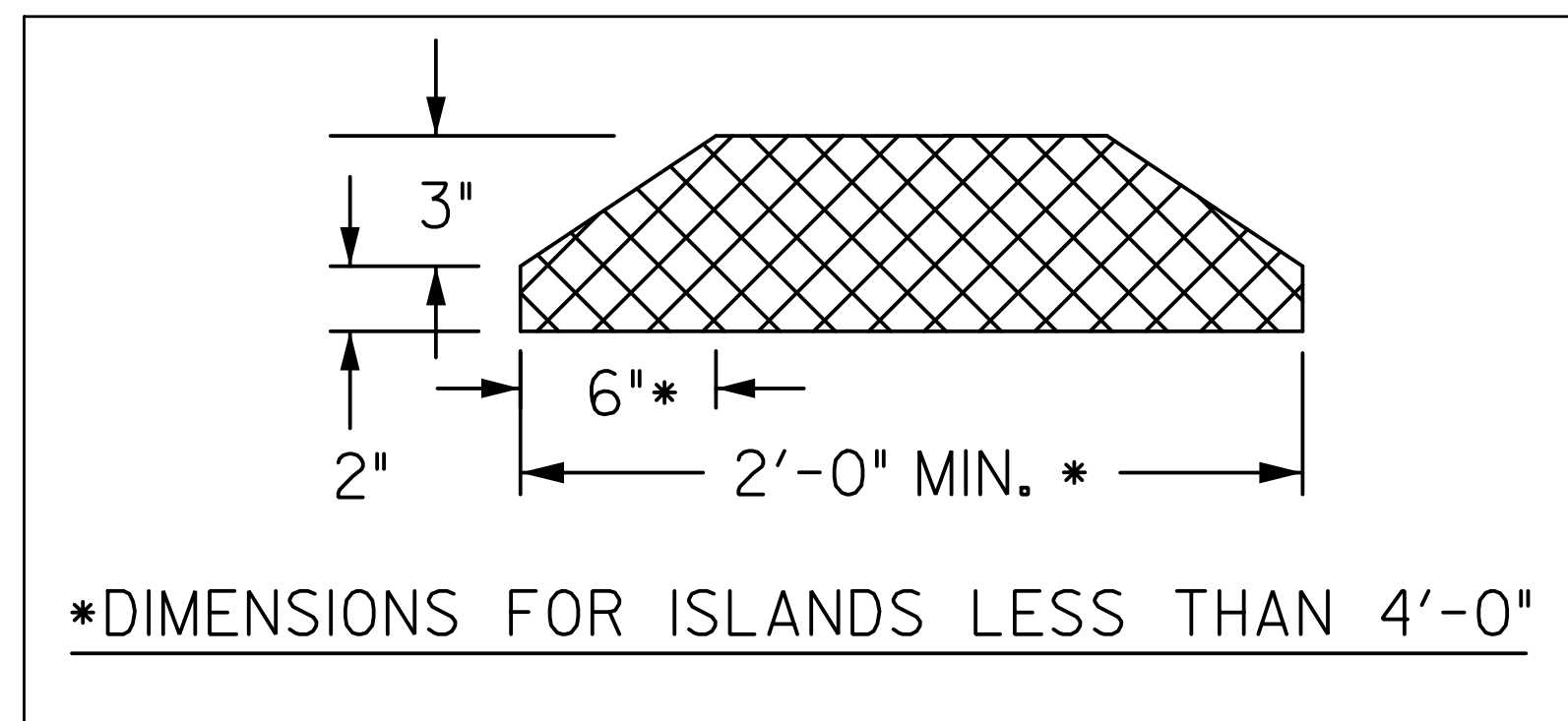


TIP NO. R-5023B	SHEET NO. PMP-9
APPROVED: <i>Rhonda B. Early</i> F34CAF5AC0BF48A...	
DATE: 9/29/2016	
SEAL	
	
DOCUMENT NOT CONSIDERED FINAL UNLESS ALL SIGNATURES COMPLETED	

PAVEMENT MARKER DETAIL FOR CONCRETE ISLANDS

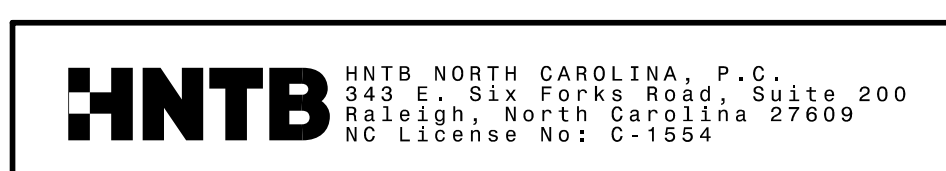
RAISED PAVEMENT MARKER (Y/Y TYP.)
(STD. DWG 1251.01)



MONOLITHIC CONCRETE ISLAND

(SEE STANDARD DRAWINGS 852.01, 852.02, & 852.06 FOR DETAILS.)

4:17:32 PM
R5023B_pmp_pmp09_pmarker_detail.dgn
HNTB



**PAVEMENT MARKER DETAIL
FOR CONCRETE ISLANDS**