
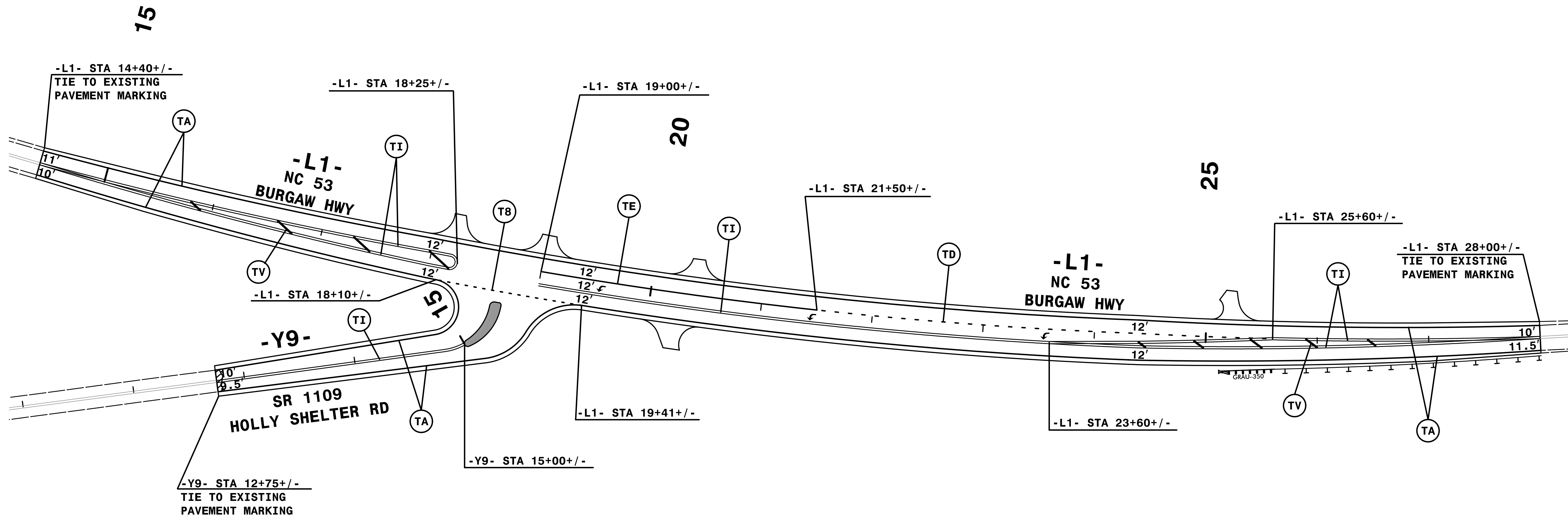


TIP NO. R-5023B	SHEET NO. PMP-2
APPROVED: <i>Rhonda B. Early</i> DATE: 9/29/2016	
SEAL 	
DOCUMENT NOT CONSIDERED FINAL UNLESS ALL SIGNATURES COMPLETED	



REFER TO PMP-9 FOR PLACEMENT OF PAVEMENT MARKERS FOR CONCRETE ISLANDS.

**HNTB** HNTB NORTH CAROLINA, P.C.  
343 E. SIX FORKS ROAD, SUITE 200  
RALEIGH, NORTH CAROLINA 27609  
NC LICENSE NO: C-1554

**PAVEMENT MARKING DETAIL**

4:17:07 PM  
4/10/17 PMP\R5023B\_pmp\_pmp02.dgn  
HNTB