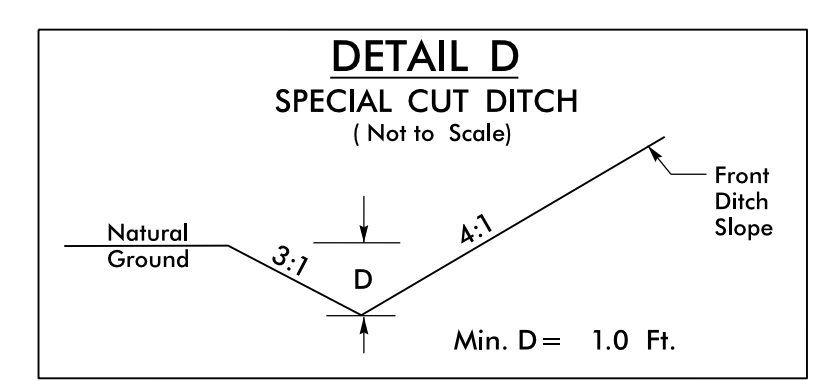
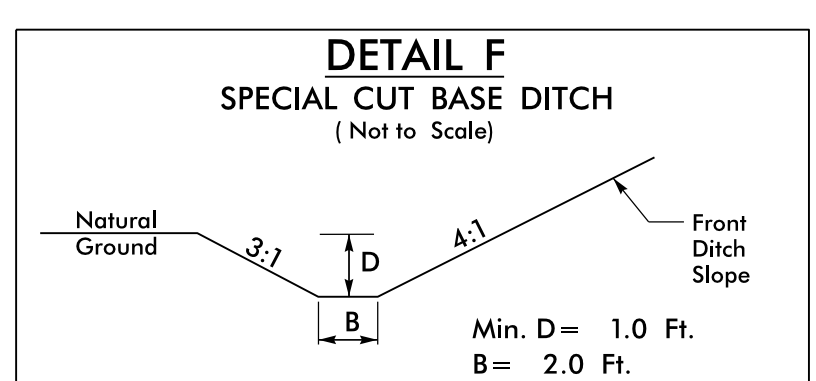


PROJECT REFERENCE NO. R-5023B		SHEET NO. 9	
RW SHEET NO.			
ROADWAY DESIGN ENGINEER		HYDRAULICS ENGINEER	
DOCUMENT NOT CONSIDERED FINAL UNLESS ALL SIGNATURES COMPLETED			

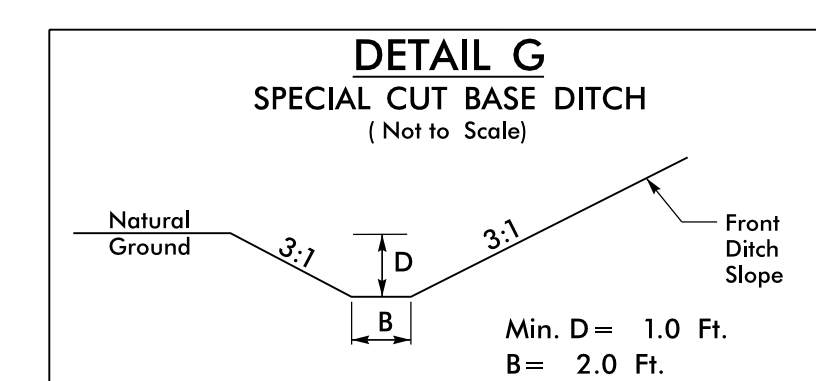
50



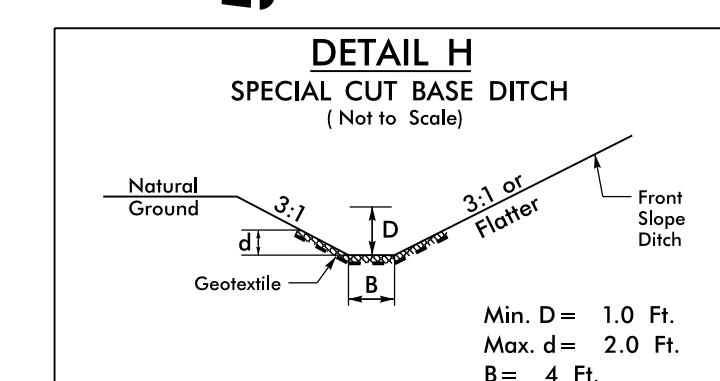
FROM -L- STA. 50+00 TO STA. 57+00 LT
 FROM -L- STA. 50+00 TO STA. 53+00 RT
 FROM -Y2- STA. 11+00 TO STA. 13+00 RT



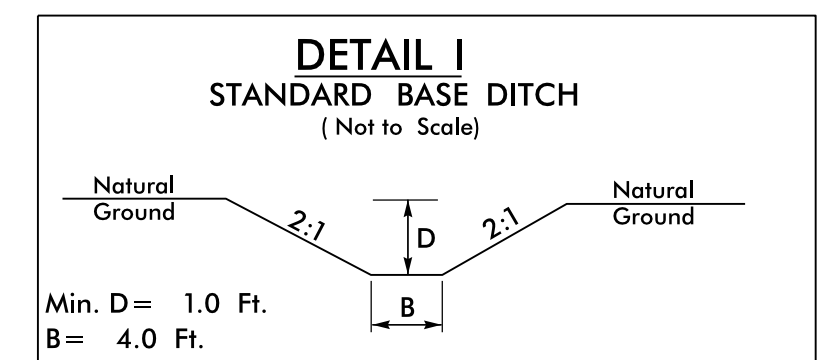
FROM -L- STA. 53+00 TO STA. 54+50 RT
 FROM -L- STA. 57+00 TO STA. 57+50 RT



FROM -L- STA. 54+50 TO STA. 56+58 RT

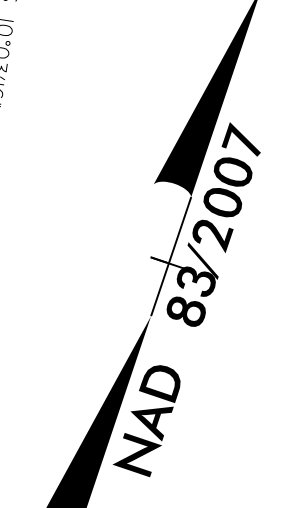


FROM -L- STA. 56+58 TO STA. 57+00 RT



-Y2- STA. 12+15 LT

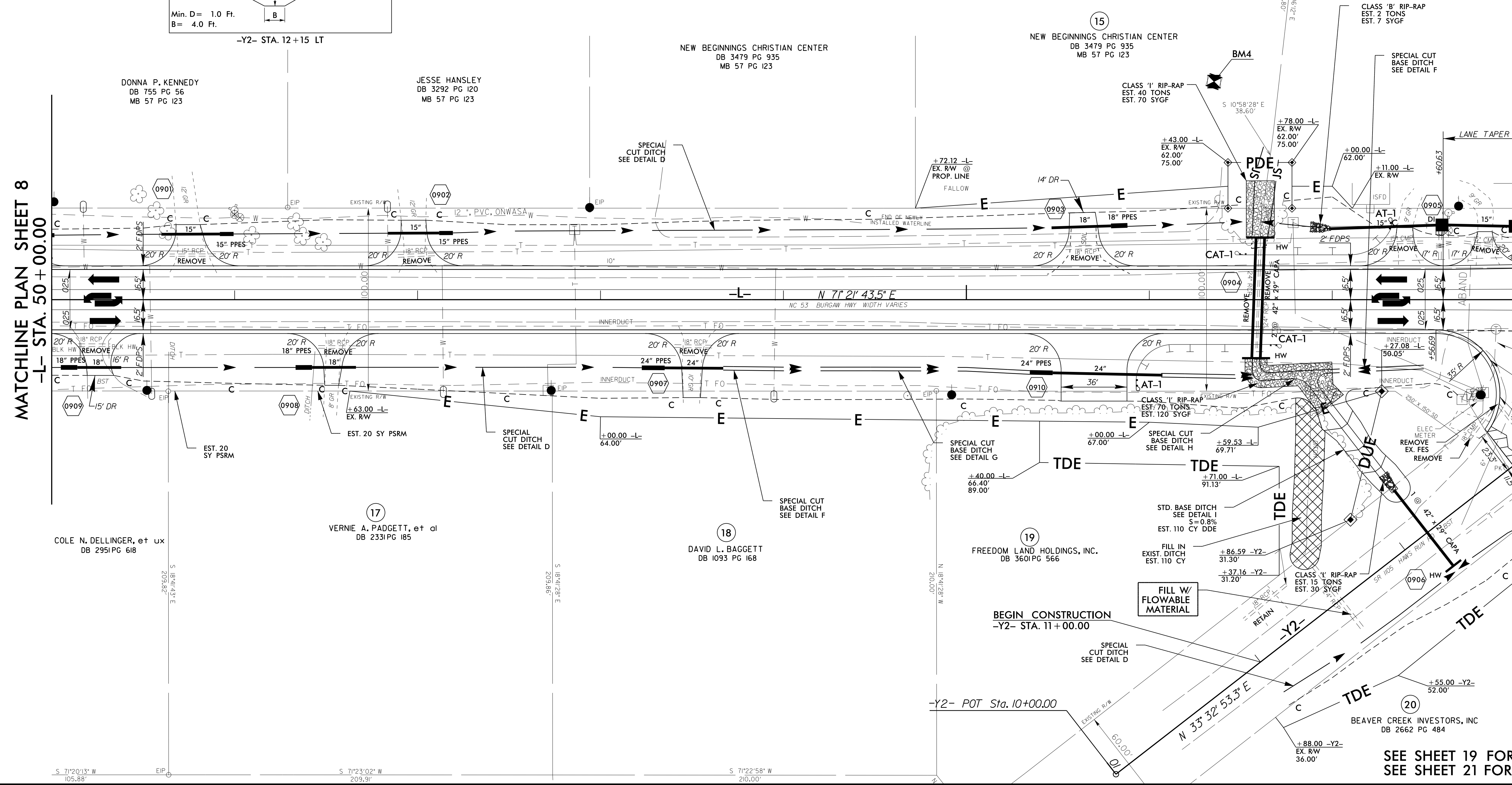
55



16
 JAMES G. DIXON
 DB 701 PG 619
 MB 29 PG 42

MATCHLINE PLAN SHEET 8
 -L- STA. 50+00.00

MATCHLINE PLAN SHEET 10
 -L- STA. 58+00.00



SEE SHEET 19 FOR -L- PROFILE
 SEE SHEET 21 FOR -Y2- PROFILE

REVISIONS

8/17/99