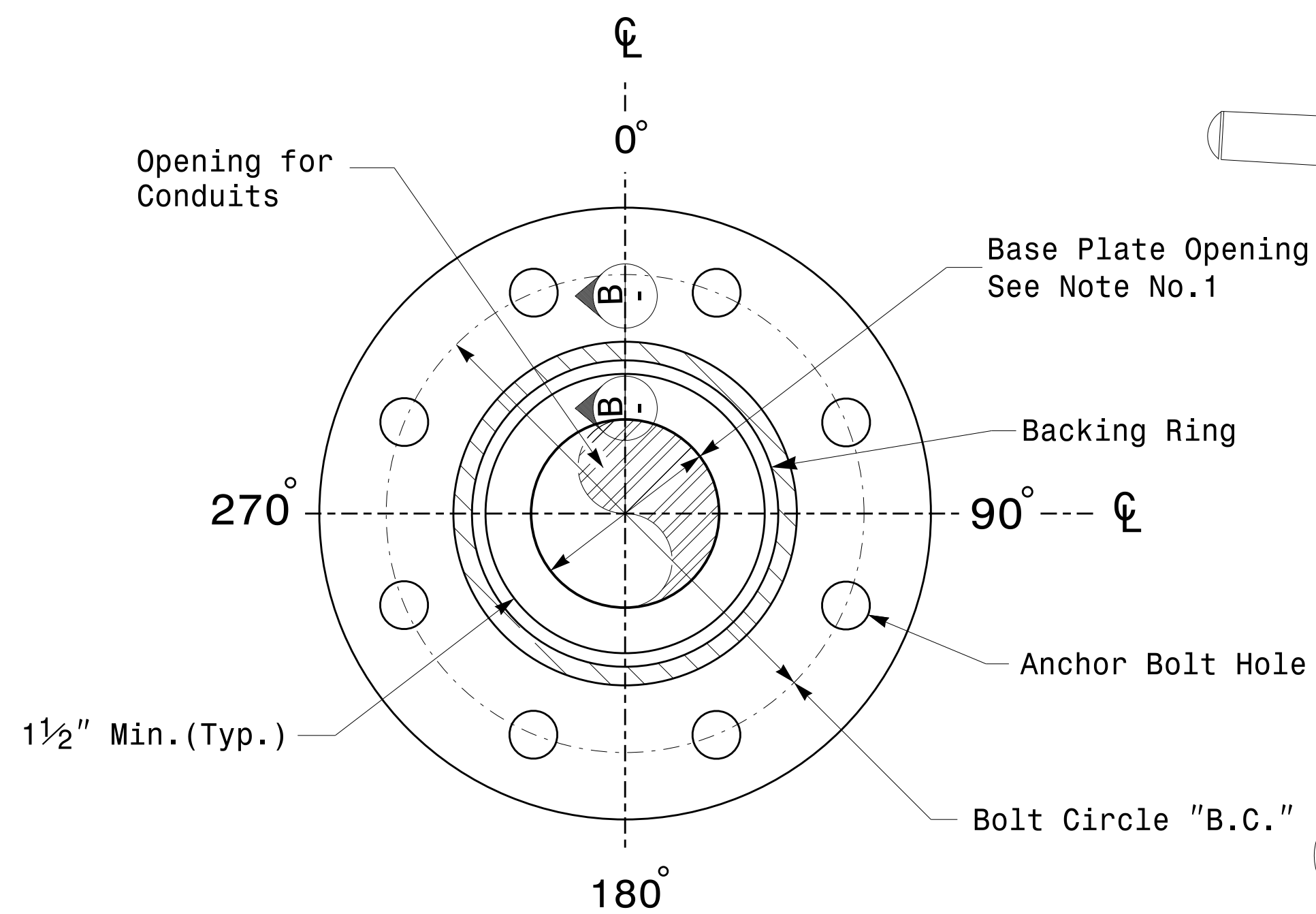
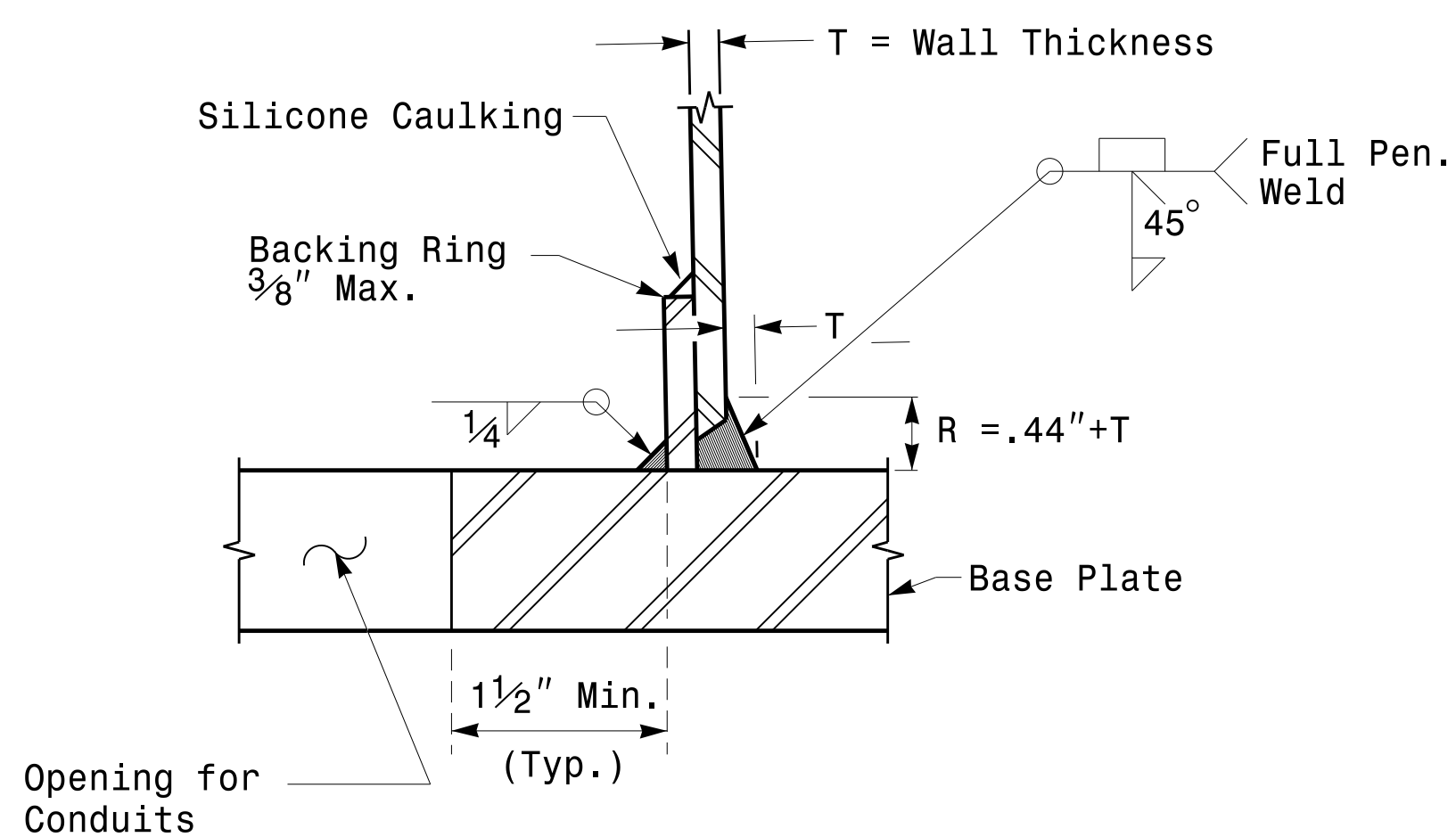


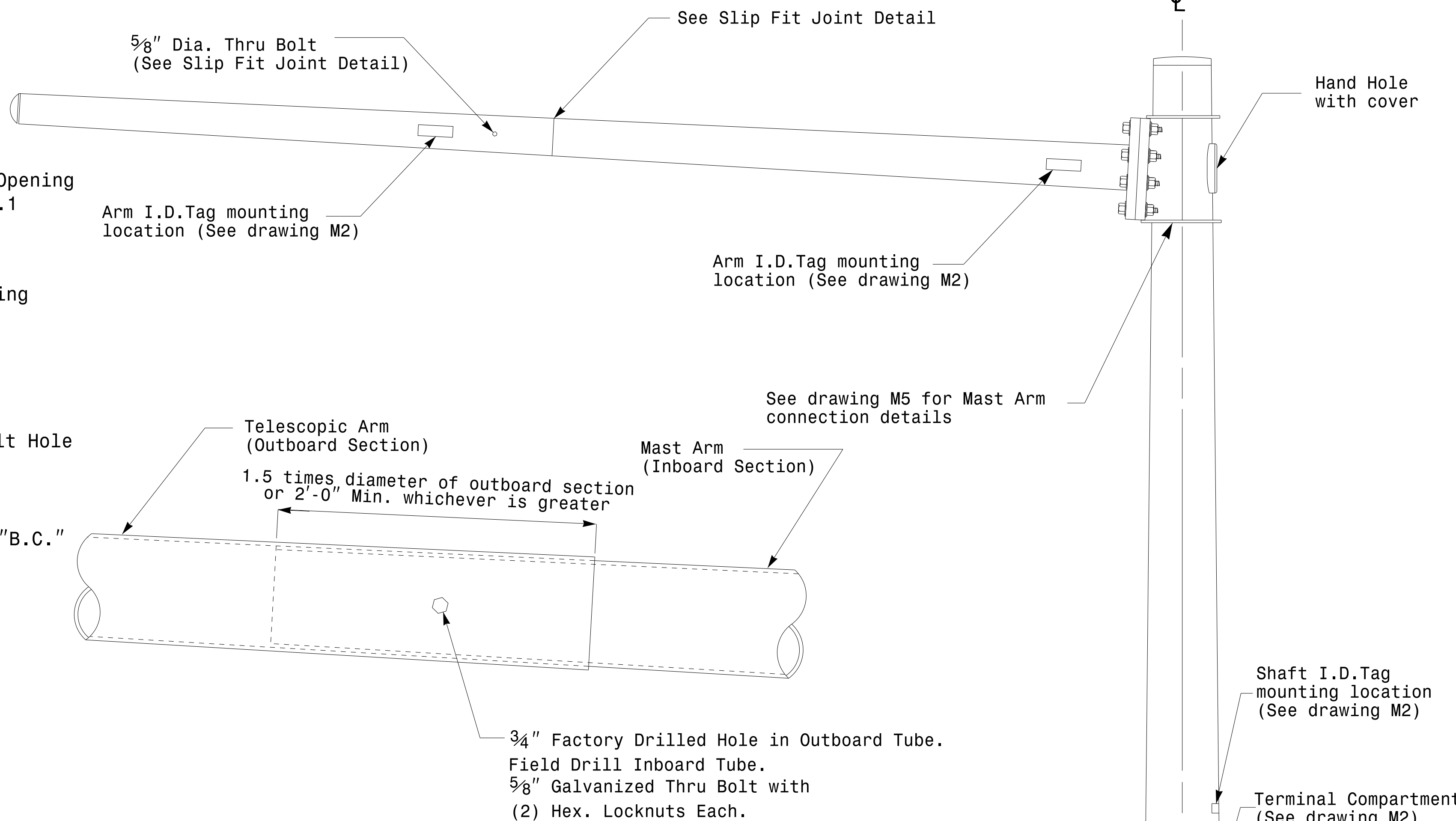
Note:  
1. Opening in pole base plate shall be equal to pole base inside diameter minus 3 1/2" but shall not be less than 8 1/2".



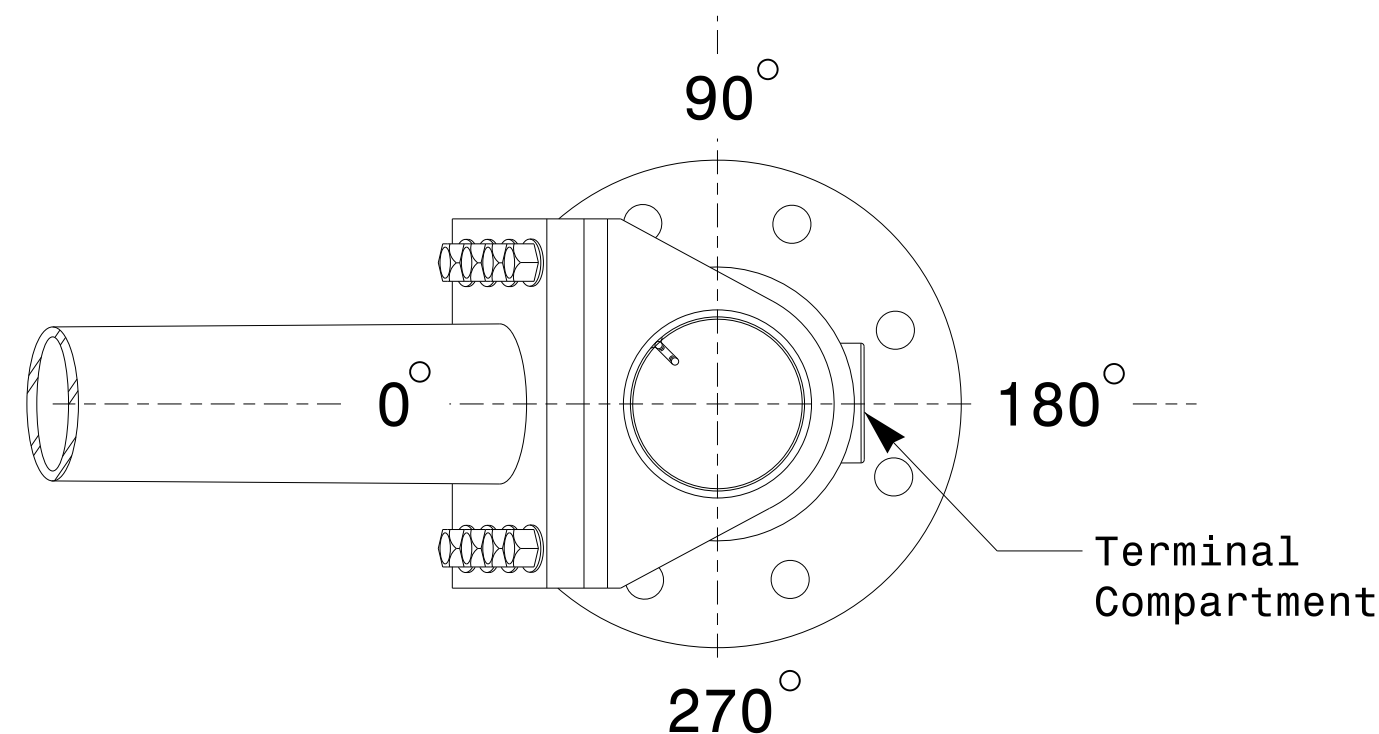
Section A-A  
Pole Base Plate Details



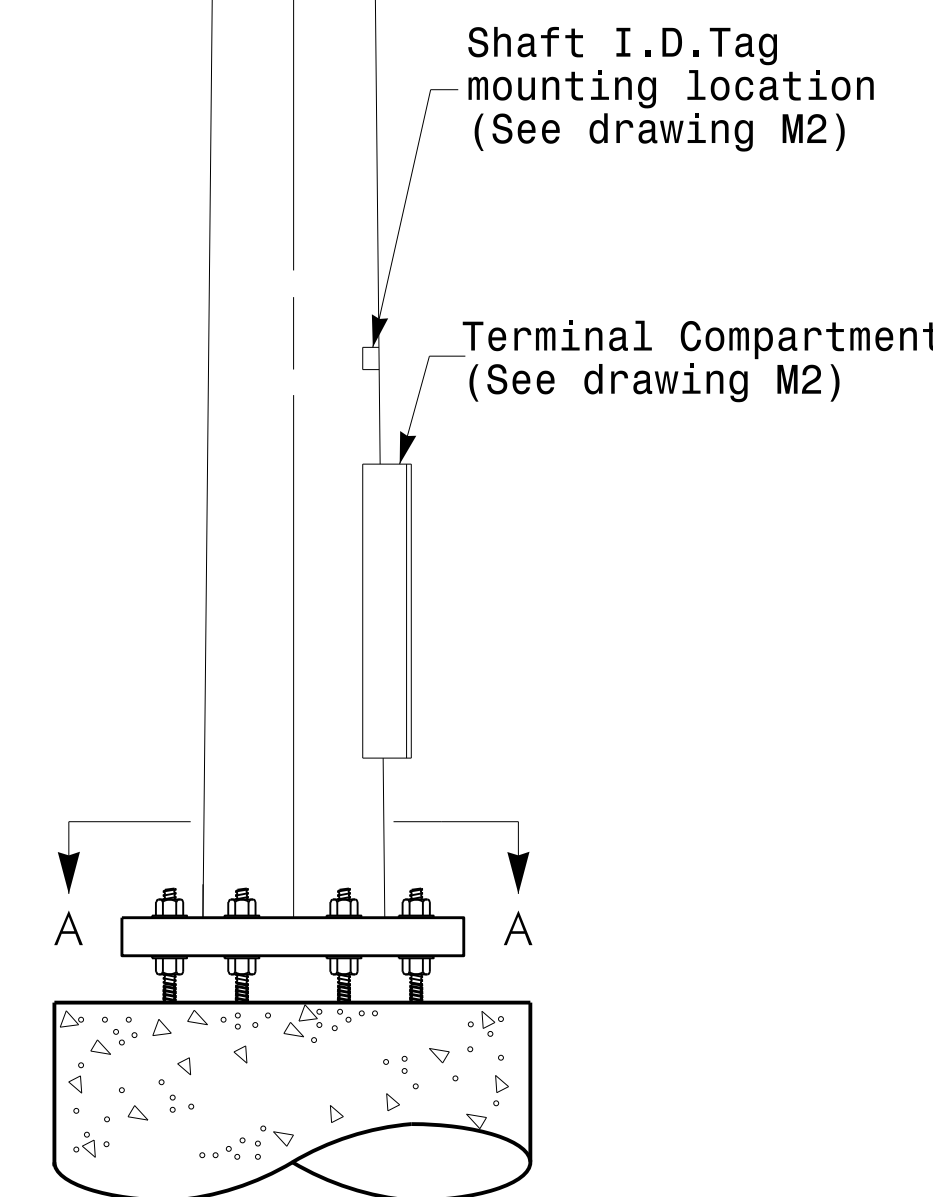
Section B-B  
(Pole Attachment to Base Plate)  
Full-Penetration Groove Weld Detail



Slip Fit Joint Detail for Mast Arm



Mast Arm Radial Orientation



Mast Arm Pole

Fabrication Details - Mast Arm Poles

<p>Prepared in the Offices of:</p> <p>750 N. Greenfield Pkwy, Garner, NC 27529</p>	<p>Typical Fabrication Details For Mast Arm Poles</p>		<p>SEAL</p> <p>DocuSigned by <i>Dibesh C. Sarkar</i></p> <p>44E8E32E147E4C4...</p>
	<p>PLAN DATE: FEBRUARY 2016</p>	<p>DESIGNED BY: K.C. DURIGON</p>	
<p>SCALE: 0 NA NONE</p>	<p>PREPARED BY: N. BITTING</p>	<p>REVIEWED BY: D.C. SARKAR</p>	<p>DATE</p>

17-FEB-2016 16:05:13 TSC04115 Signal&Sign Design Section Eastern Region\m4 Sheets\2016\2014\_Sig.M4\_Sld - Fabrication Detail - Mast Arm Poles.dgn