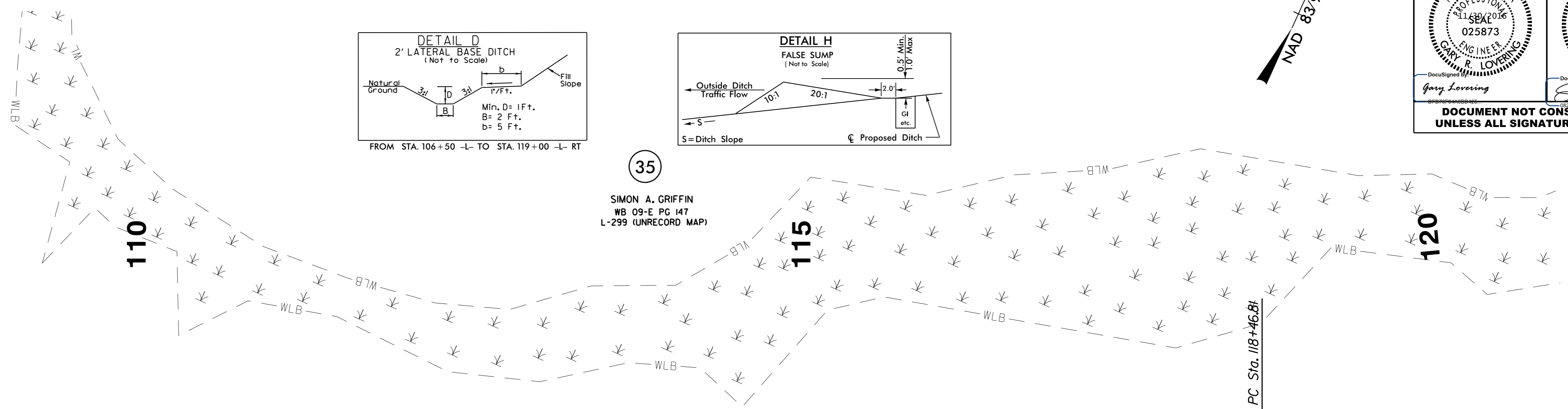
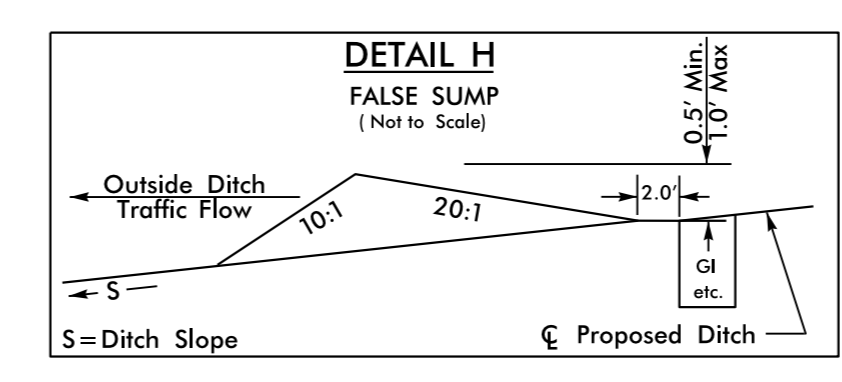
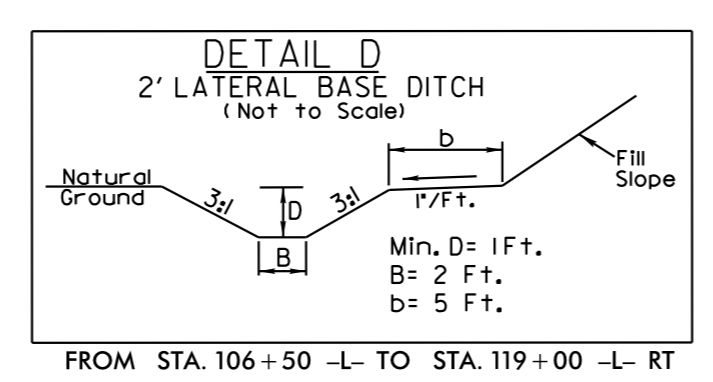
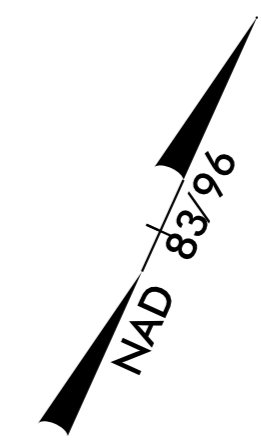
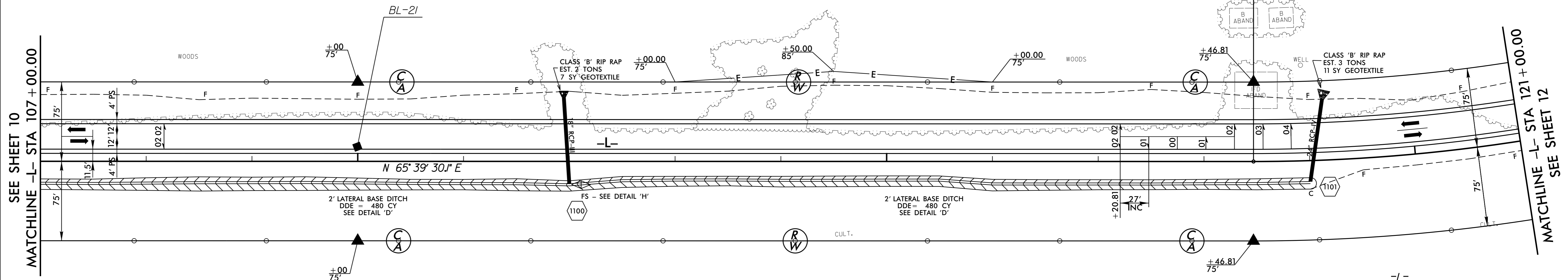


| | |
|--|---------------------------------|
| PROJECT REFERENCE NO. | SHEET NO. |
| R-3826 | 11 |
| R/W SHEET NO. | |
| ROADWAY DESIGN ENGINEER | HYDRAULICS ENGINEER |
| | |
| DocuSigned by: Gary Lovering | DocuSigned by: James R. Rice |
| DOCUMENT NOT CONSIDERED FINAL UNLESS ALL SIGNATURES COMPLETED | |



(35)
SIMON A. GRIFFIN
WB 09-E PG 147
L-299 (UNRECORD MAP)



(35)
SIMON A. GRIFFIN
WB 09-E PG 147
L-299 (UNRECORD MAP)

-L-
PI Sta 138+60.98
 $\Delta = 10^{\circ} 21' 05.8''$ (LT)
 $D = 3' 28' 20.9''$
 $L = 2,918.72'$
 $T = 2,014.17'$
 $R = 1,650.00'$
SE = SEE PLANS

DRIVEWAY RADII ARE 15' UNLESS OTHERWISE NOTED. NOTED RADII ARE FOR BOTH SIDES.

FOR -L- PROFILE, SEE SHEET 19

REVISIONS

5/14/99

22-NOV-2016 10:55 R3826_Rdy_psh_11.dgn

SEE SHEET 10
MATCHLINE -L- STA 107+00.00

MATCHLINE -L- STA 121+00.00
SEE SHEET 12