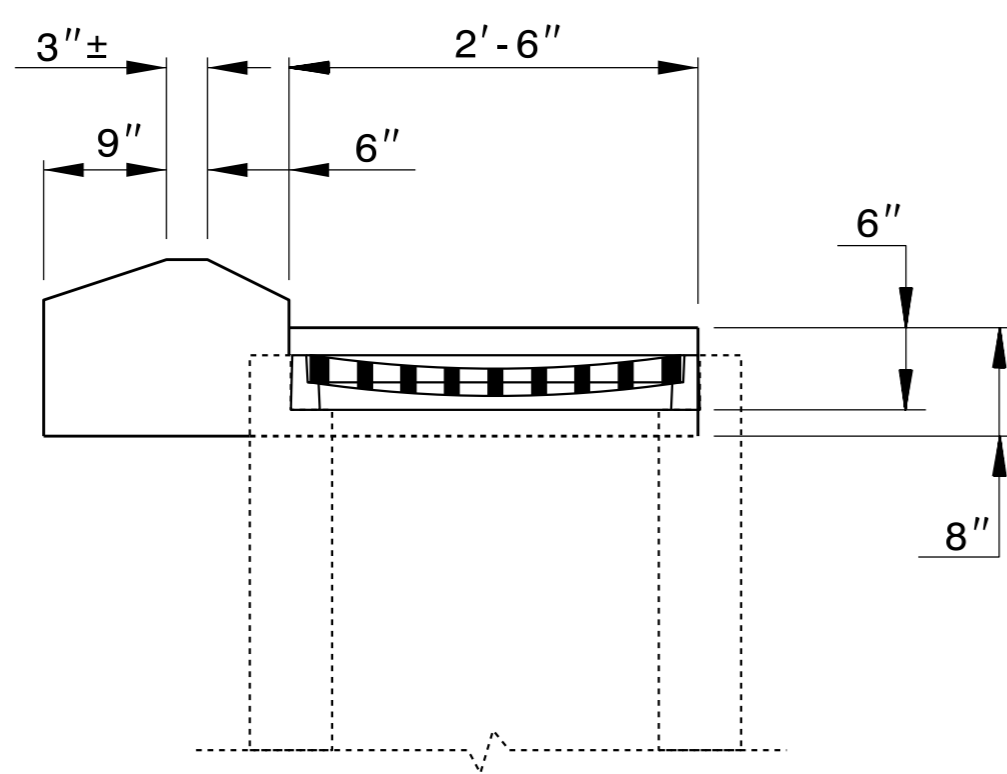


STATE OF  
NORTH CAROLINA  
DEPT. OF TRANSPORTATION  
DIVISION OF HIGHWAYS  
RALEIGH, N.C.

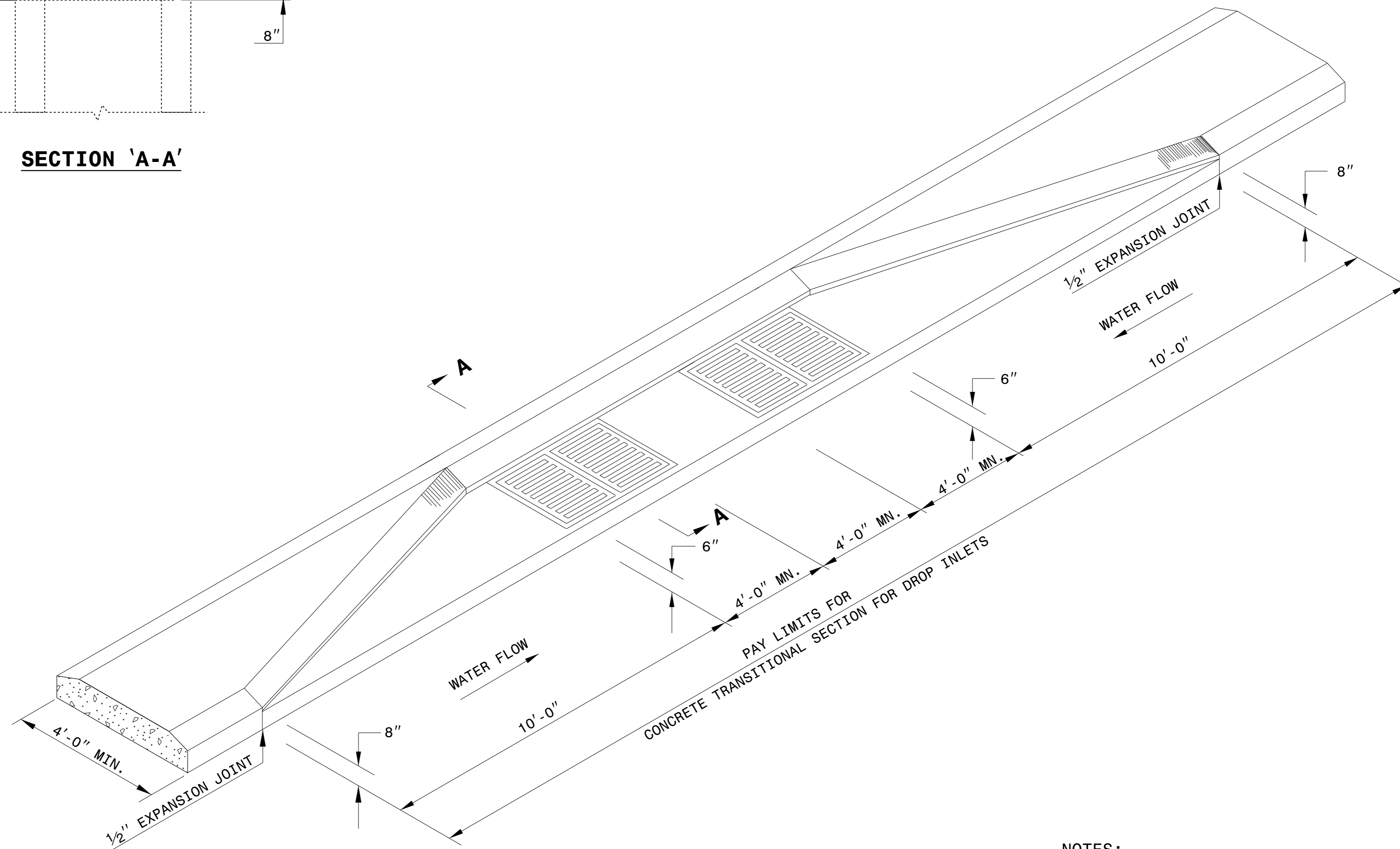
ENGLISH DETAIL DRAWING FOR  
**METHOD FOR PLACEMENT OF  
DROP INLETS IN CONCRETE ISLANDS**

SHEET 1 OF 1

**852D06**



**SECTION 'A-A'**



- NOTES:  
 -REFER TO STD. NO. 840.14 OR 840.15 FOR DRAINAGE STRUCTURE.  
 -REFER TO STD. NO. 840.16 FOR GRATE AND FRAME.

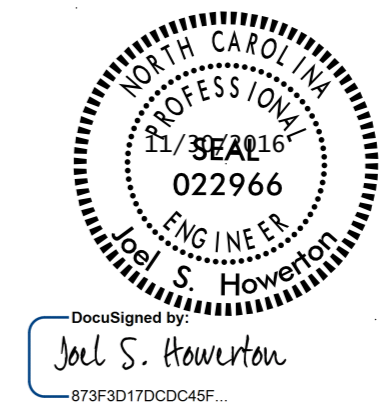
STATE OF  
NORTH CAROLINA  
DEPT. OF TRANSPORTATION  
DIVISION OF HIGHWAYS  
RALEIGH, N.C.

ENGLISH DETAIL DRAWING FOR  
**METHOD FOR PLACEMENT OF  
DROP INLETS IN CONCRETE ISLANDS**

SHEET 1 OF 1

**852D06**

852D06



DocuSigned by:  
Joel S. Howerton  
873F3D17DCDC45F

DOCUMENT NOT CONSIDERED FINAL  
UNLESS ALL SIGNATURES COMPLETED

**CONTRACT STANDARDS  
AND DEVELOPMENT UNIT**  
Office 919-707-6950 FAX 919-250-4119

**SEE TITLE PLATE**

ORIGINAL BY: KKEMPF DATE: 8/2/10  
 MODIFIED BY: DATE:  
 CHECKED BY: DATE:  
 FILE SPEC.: KKEMPF\ENGLISH\852D0601.DGN