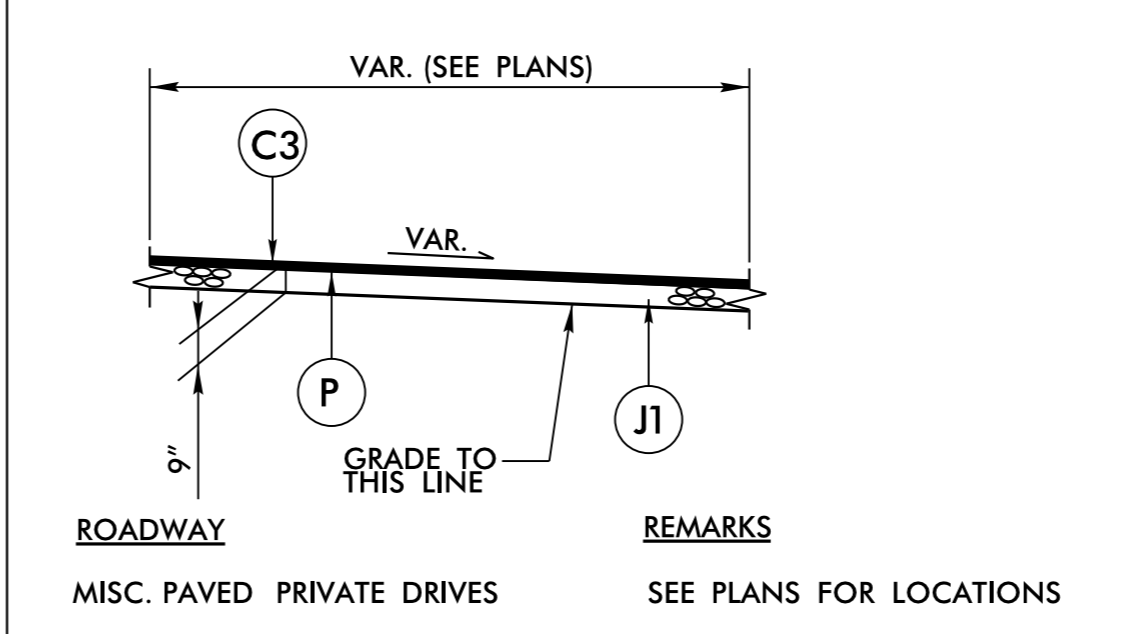
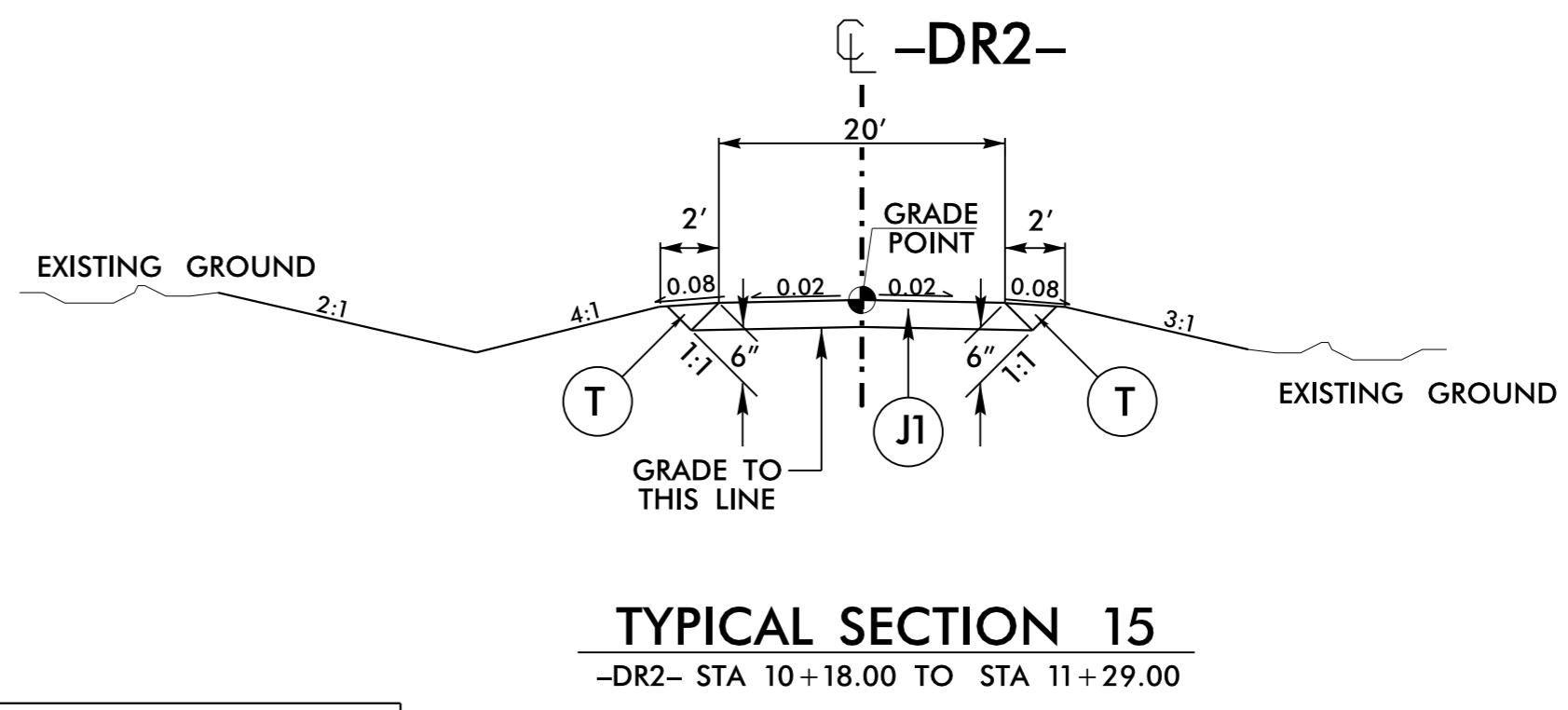
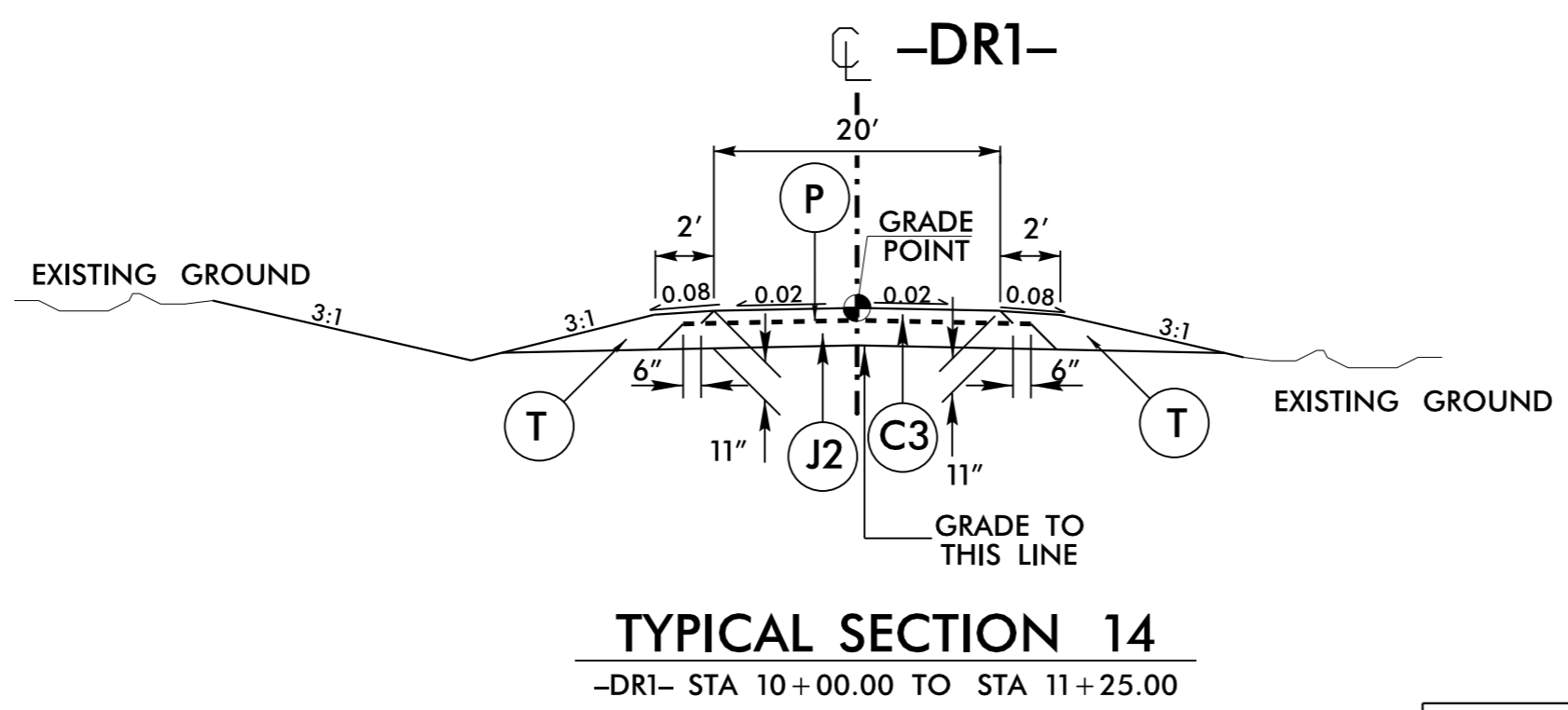
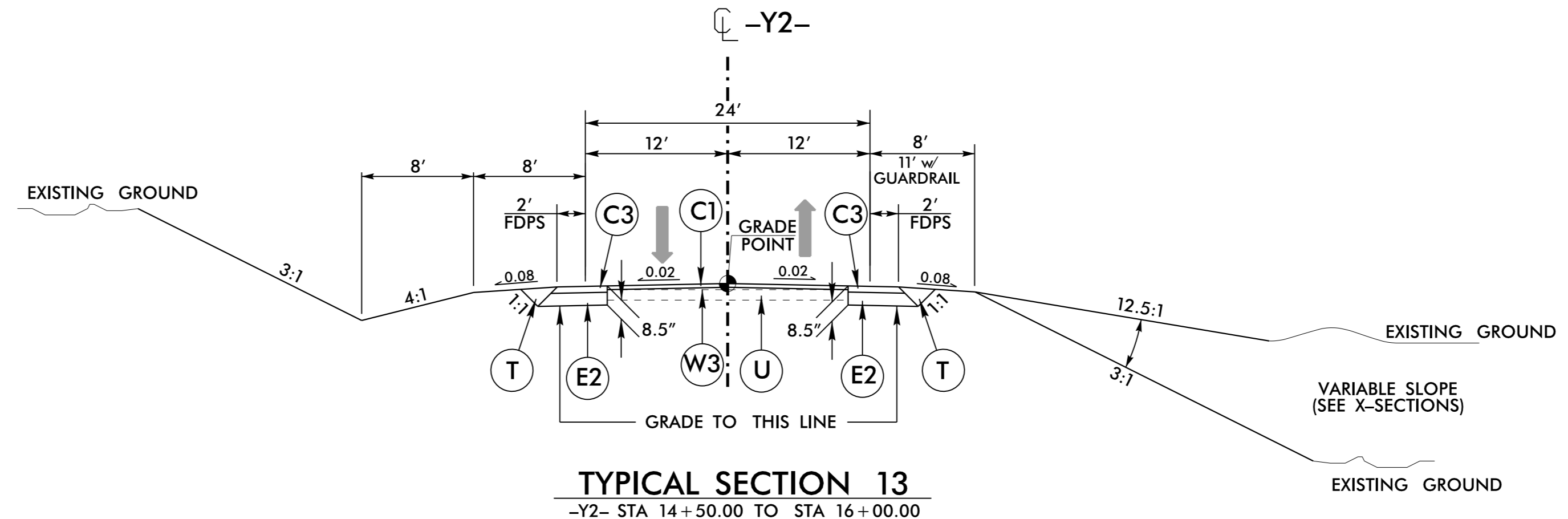
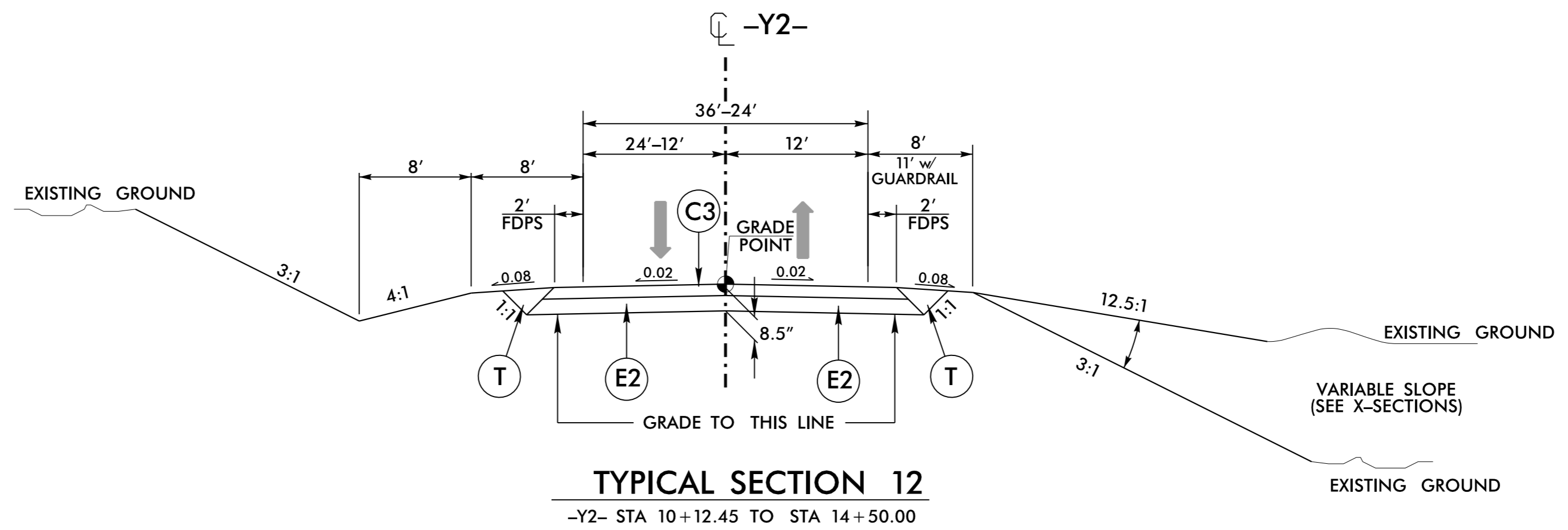


6/2/99

PAVEMENT SCHEDULE	
C1	1.5" S9.5B
C2	2.5" S9.5B
C3	3" S9.5B
C4	VAR. S9.5B
D1	2.5" I19.0B
D2	4" I19.0B
D3	VAR. I19.0B
E1	4" B25.0B
E2	5.5" B25.0B
E3	VAR. B25.0B
J1	6" ABC
J2	8" ABC
J3	VAR. ABC
P	PRIME COAT
R1	2'-6" C&G
R2	SHOULDER BERM GUTTER
T	EARTH MATERIAL
U	EXISTING PAVEMENT
W1	-L- WEDGING DETAIL
W2	-Y- WEDGING DETAIL
W3	-Y1- -Y2- WEDGING DETAIL

PROJECT REFERENCE NO. R-3826	SHEET NO. 2A-5
ROADWAY DESIGN ENGINEER GARY R. LOVERING 025873	PAVEMENT DESIGN ENGINEER CLARK S. MORRISON 022896
DOCUMENT NOT CONSIDERED FINAL UNLESS ALL SIGNATURES COMPLETED	



05 DEC 2016 16:26 03826_Rdy_tup.dgn
13:30:00 03826_Rdy_tup.dgn