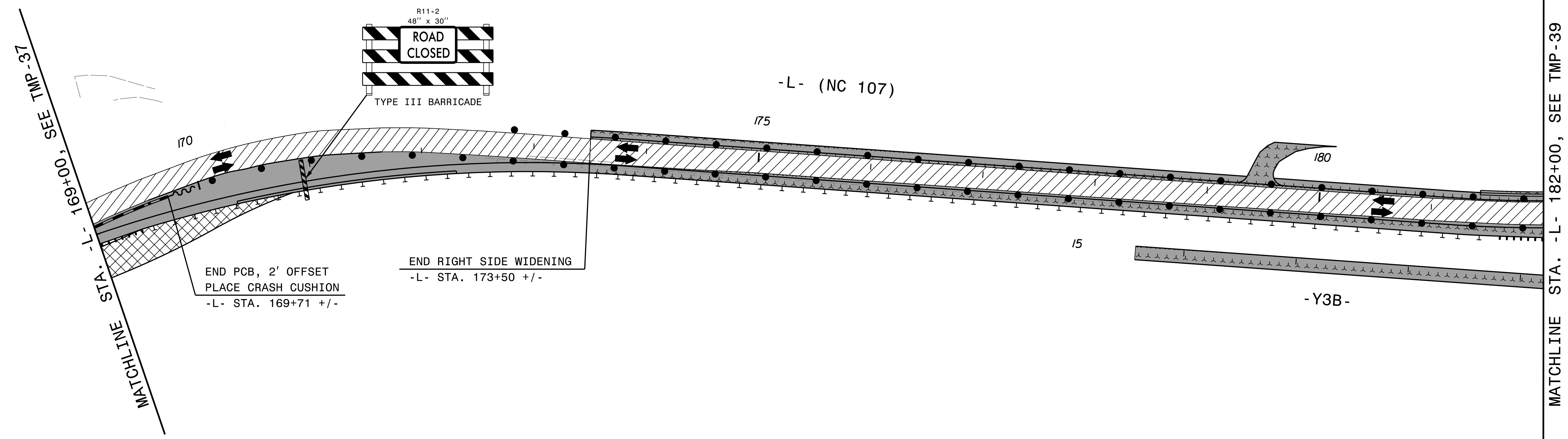
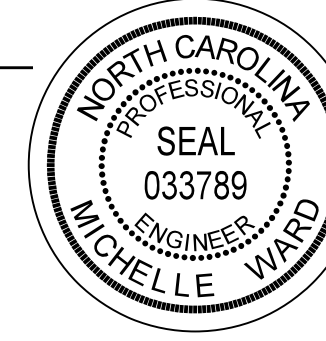



PLOT DRIVER: NCDOT_pdf_color_eng_50.plt
 USER: bscoff
 PENTABLE: NCDOT_tcp.tbl
 DATE: 9/2/2016
 TIME: 2:04:02 PM
 FILE: pw:\PWAPP\PA01\SouthEast_Tampa\Documents\000166\CON0079759\CON0099518\00000000258994\6.0_CAD_BITMAP\6.2_Work_In_Progress\R-4753\TrafficControl\TCP\R-4753_TMP_TMP-38.dgn



APPROVED: <i>Michelle Ward</i> <small>F8385756826488</small> DATE: 9/2/2016 SEAL 		PHASE 2
DOCUMENT NOT CONSIDERED FINAL UNLESS ALL SIGNATURES COMPLETED		