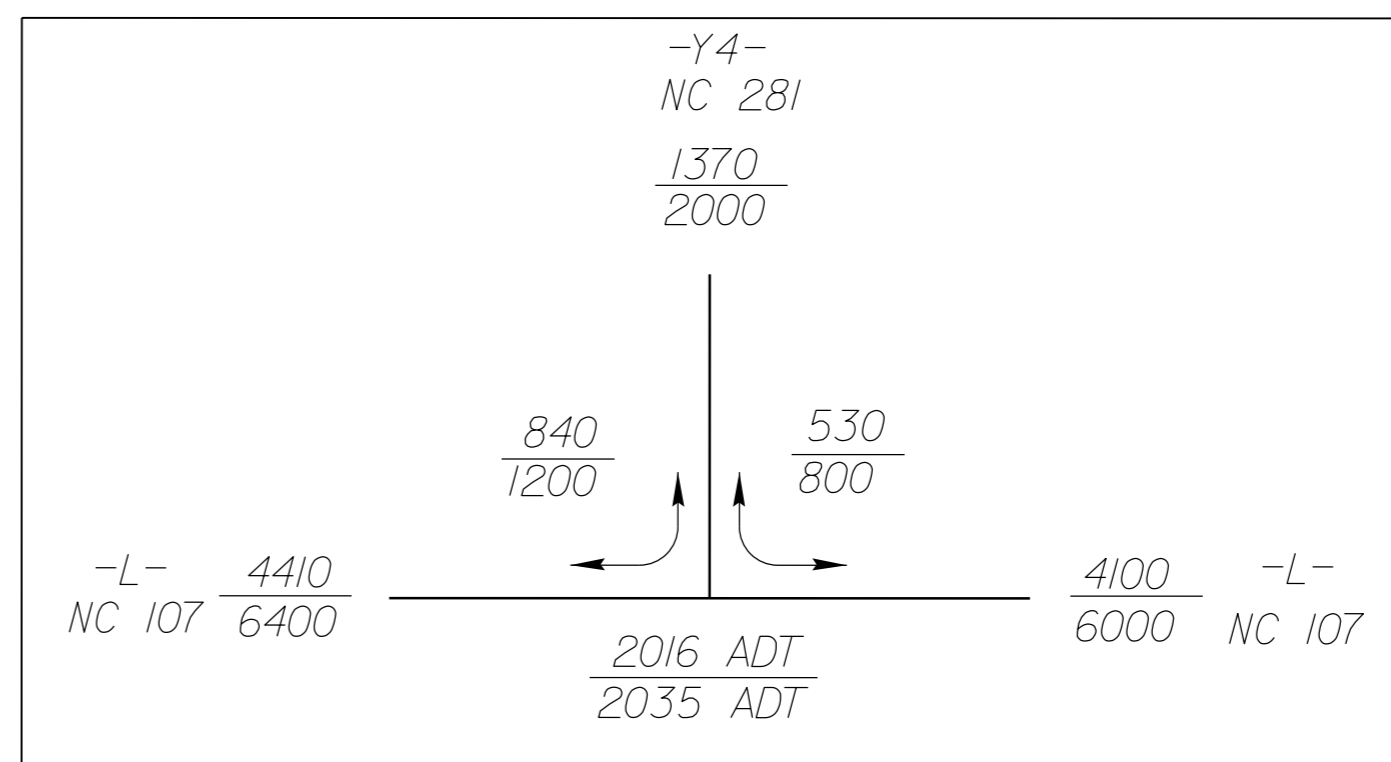
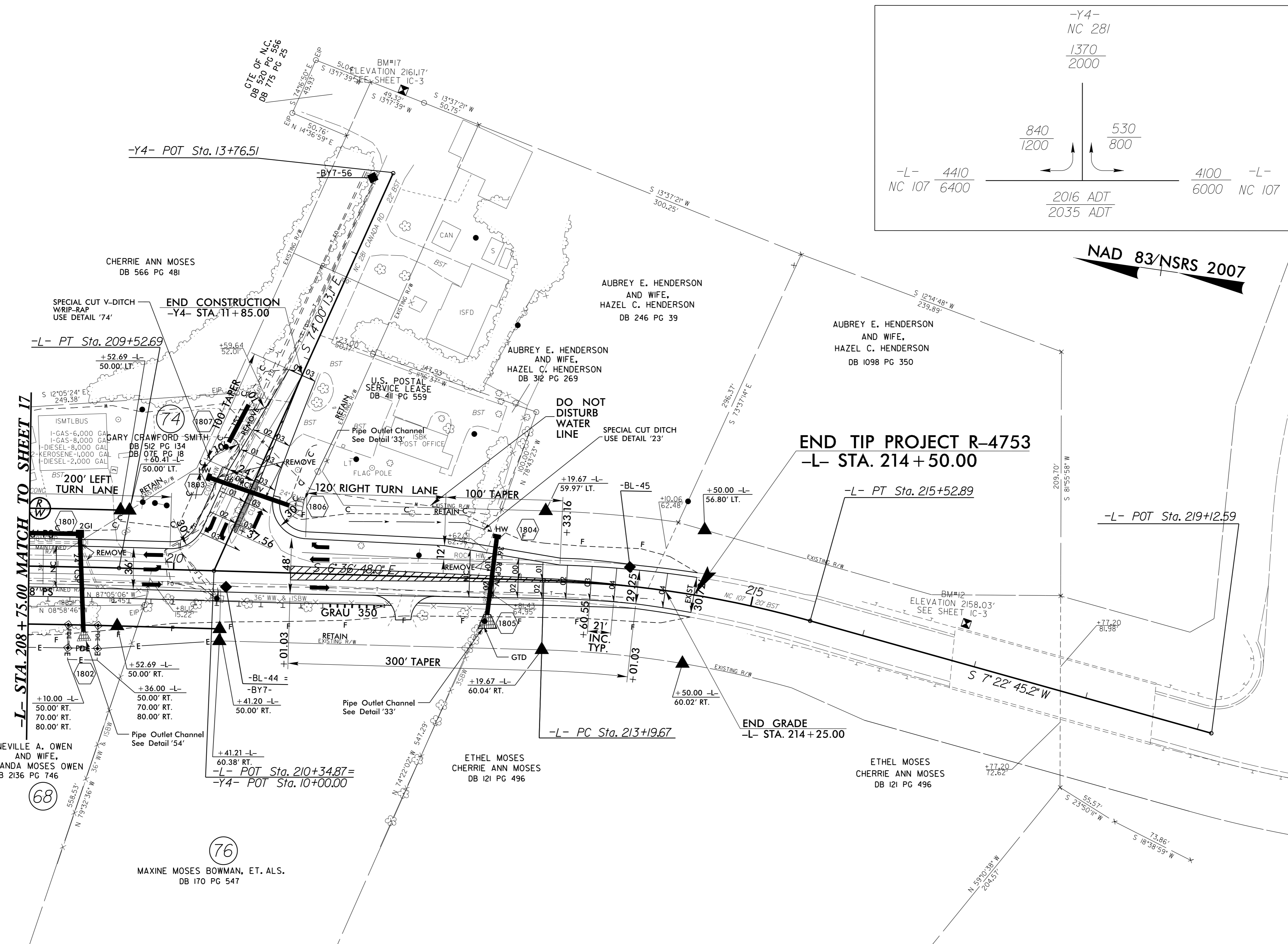


PROJECT REFERENCE NO. R-4753		SHEET NO. 18	
RW SHEET NO.			
ROADWAY DESIGN ENGINEER		HYDRAULICS ENGINEER	
<b>DOCUMENT NOT CONSIDERED FINAL UNLESS ALL SIGNATURES COMPLETED</b>			



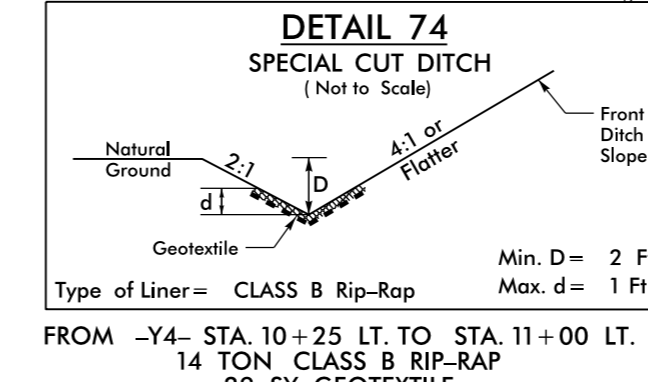
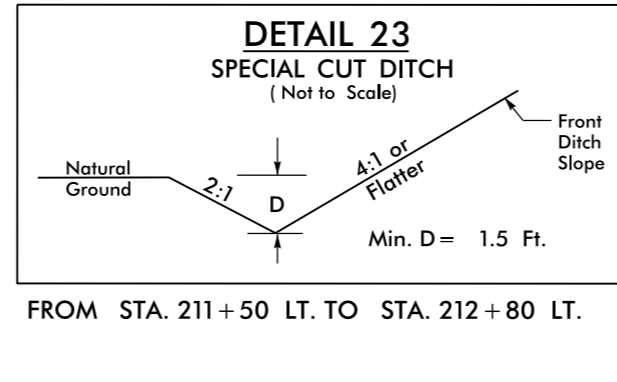
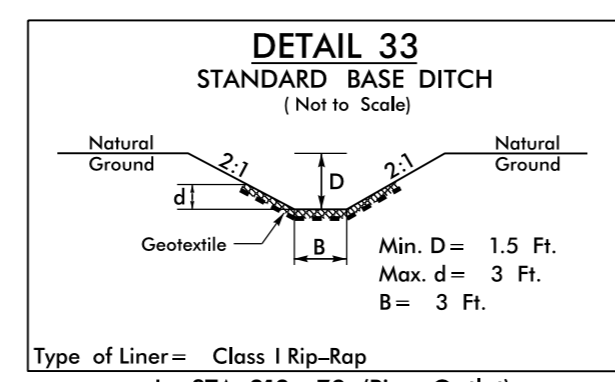
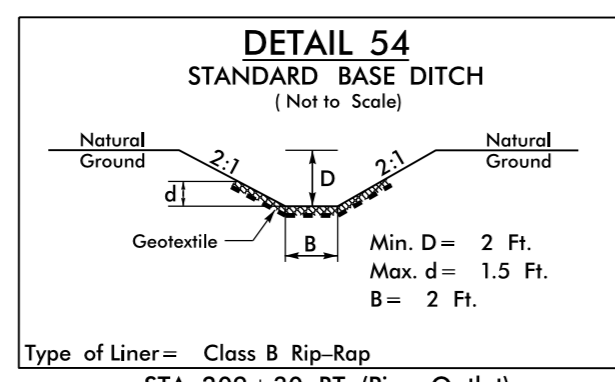
NAD 83/NSRS 2007



-L- STA. 208+75.00 MATCH TO SHEET 17

**END TIP PROJECT R-4753**  
-L- STA. 214+50.00

**END GRADE**  
-L- STA. 214+25.00



-L-	-L-
PI Sta 205+28.46	PI Sta 214+36.86
$\Delta = 9' 44' 46.4'' (RT)$	$\Delta = 13' 59' 33.2'' (RT)$
$D = 1' 08' 45.3''$	$D = 5' 59' 58.4''$
$L = 850.52'$	$L = 233.23'$
$T = 426.29'$	$T = 117.20'$
$R = 5,000.00'$	$R = 955.00'$
$SE = NC$	$SE = Exist (.04)$

**Note:** All Driveway Radii are 20' Unless Otherwise Noted  
**Note:** Tie all Driveways to the Right of Way Line. Follow the "Pavement Design for Driveways" Memo Dated March 18, 2002 or as Directed by the Engineer  
**Note:** All Proposed Guardrail to Use Weathered Steel Unless Otherwise Noted  
**Note:** Transition From 6' Paved Shoulder to Existing -L- Sta. 213+51.03 to Sta. 214+01.03 Lt./Rt.

**PROP. 5" CONC. MONOLITHIC ISLAND**  
**PROP. PAINT STRIPING**  
**GTD = GRADE TO DRAIN**  
**SEE SHEETS 25 & 26 FOR -L- PROFILE**  
**SEE SHEET 28 FOR -Y4- PROFILE**

REVISIONS

Invalid ExpressG...\_Rdy\_psh18.dgn  
USER: N100001753.../53...