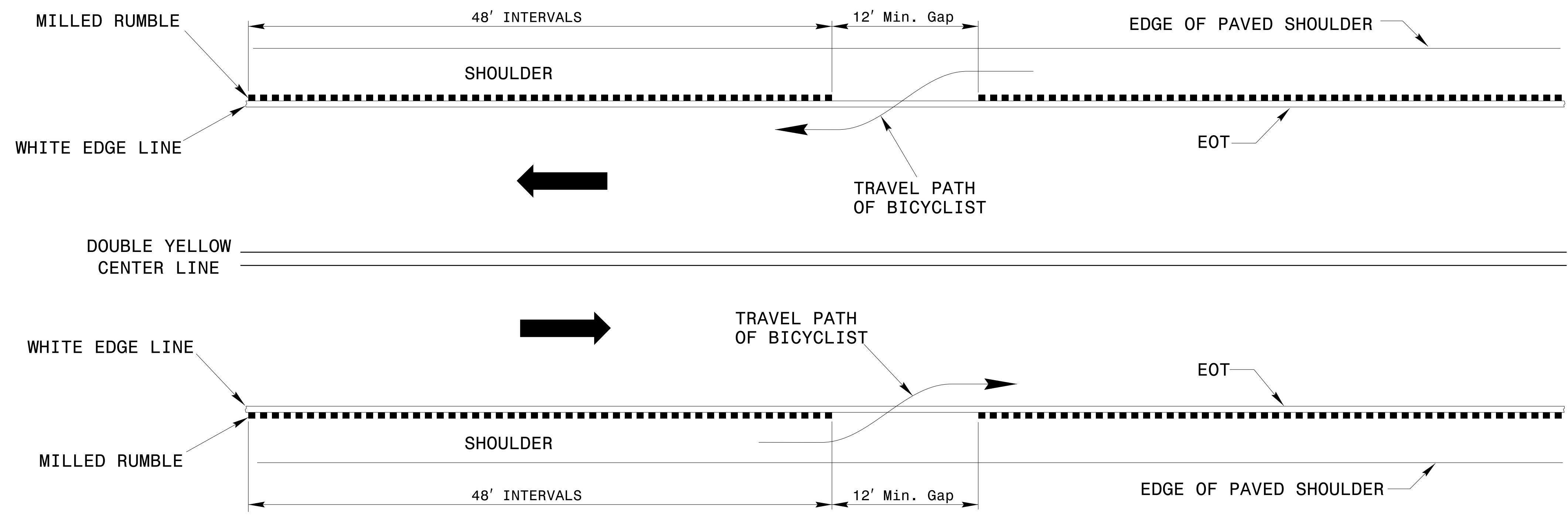
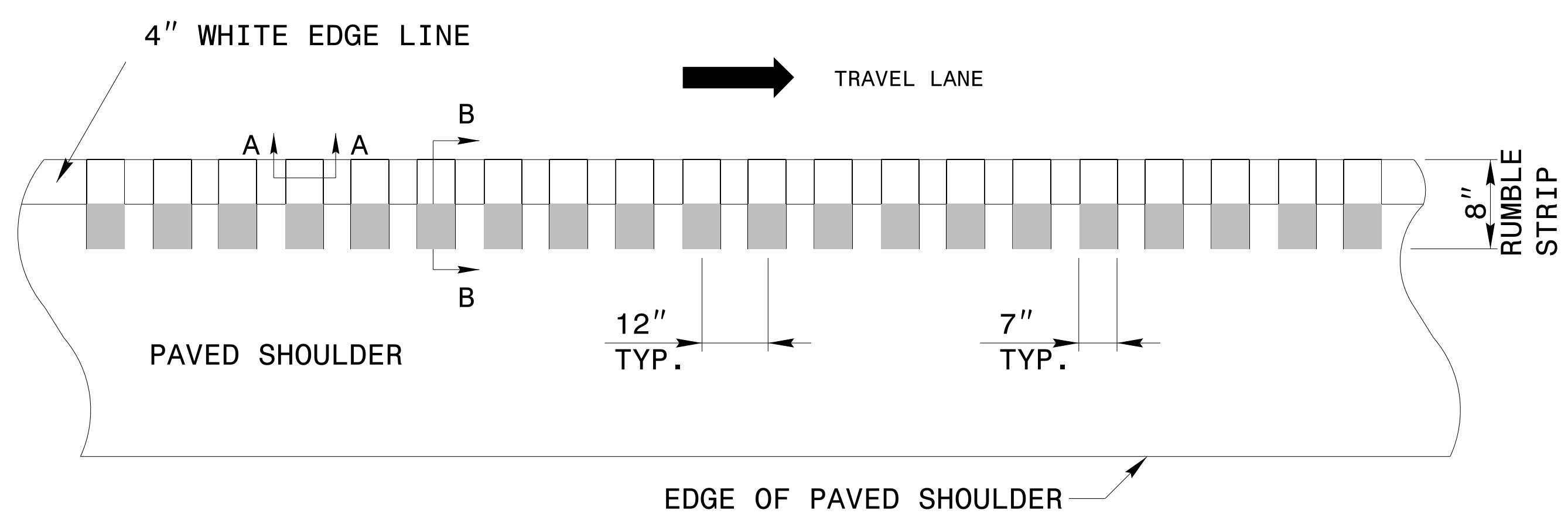


TIP NO.	SHEET NO.
R-4753	2C-2
APPROVED: <i>Ayman Alquodhi</i>	
DATE: 11/18/2016	
DOCUMENT NOT CONSIDERED FINAL UNLESS ALL SIGNATURES COMPLETED	

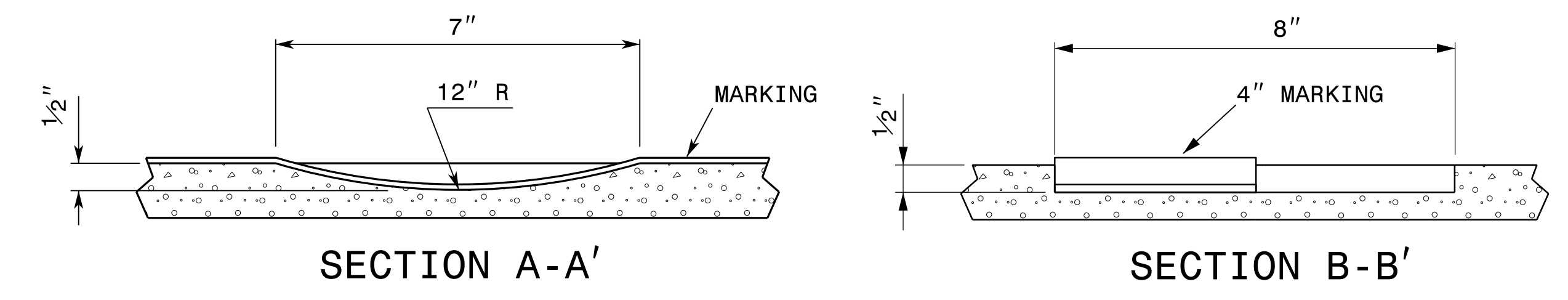
LANE TREATMENT



EDGE LINE TREATMENT



EDGE LINE MILLING DETAIL



NOTE:

- 1) PAVEMENT MARKING MATERIAL SHALL BE POLYUREA WITH HIGHLY REFLECTIVE ELEMENTS.
- 2) USING A VACUUM, REMOVE ALL DEBRIS FROM THE MILLINGS JUST PRIOR TO PLACING ANY PAVEMENT MARKINGS.
- 3) ENSURE GLASS BEADS AND HIGHLY REFLECTIVE ELEMENTS ARE SPREAD UNIFORMLY OVER THE ENTIRE SURFACE OF THE PAVEMENT MARKING MATERIAL.

**MILLED EDGE LINE
RUMBLE STRIPE
DIVISION 14 - NC 107**

18-NOV-2016 10:31 S:\S&D\AS\Standards Group\NEW\Standards and Drawings\Drawings\Milled Rumble Stripe\R-4753 Div 14\Milled 8inch-rumble-stripe edgeline NC 9 Div 14.dgn