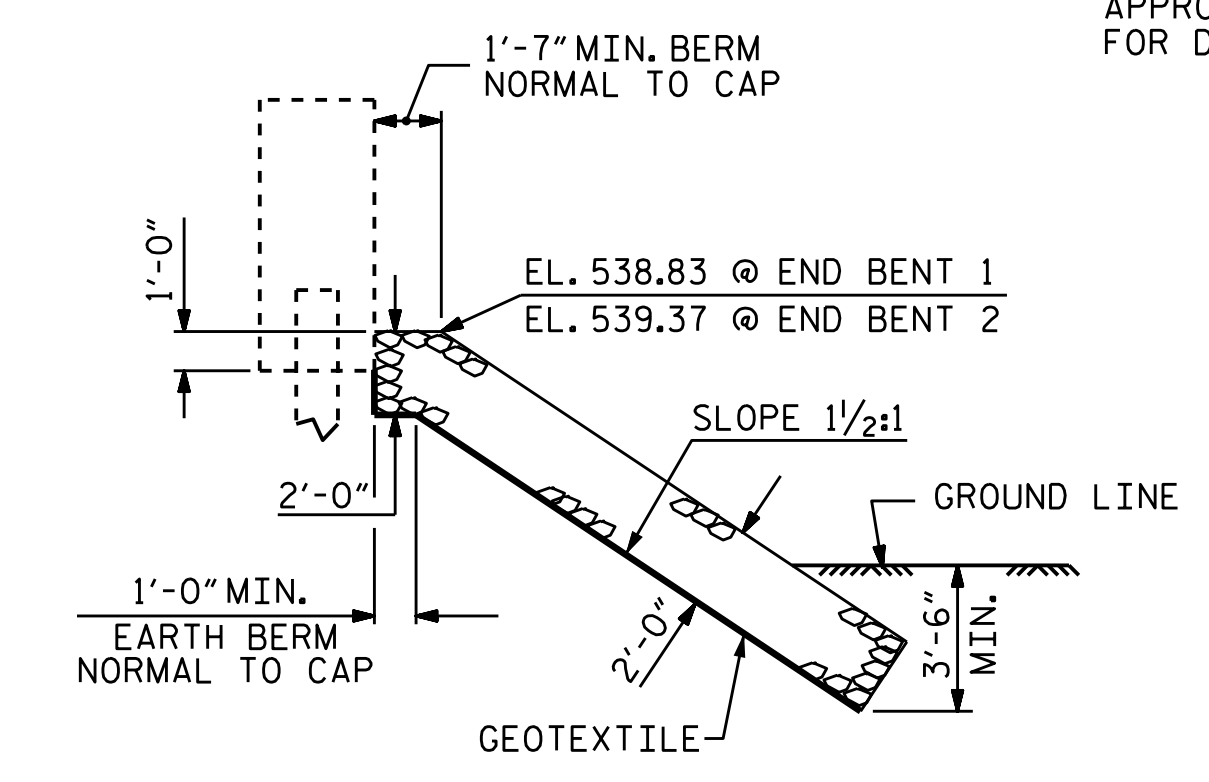


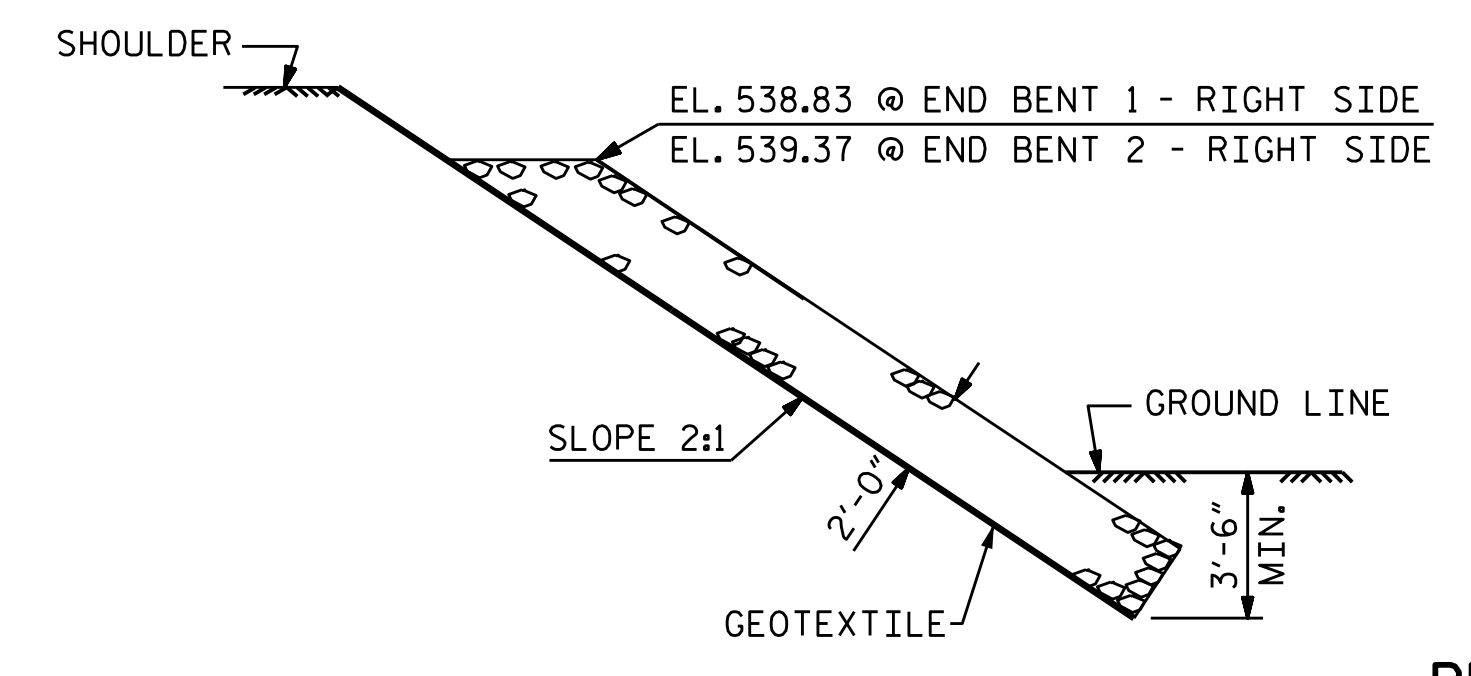
PLAN

ESTIMATED QUANTITIES		
BRIDGE @ STA. 29+55.00 -L-	RIP RAP CLASS II (2'-0" THICK)	GEOTEXTILE FOR DRAINAGE
	TONS	SQUARE YARDS
* END BENT 1	665	745
* END BENT 2	370	415
TOTAL	1,035	1,160

* THE CLASS II RIP RAP THAT IS TO BE PLACED IN THE AREA OF THE EXISTING END BENTS HAS BEEN INCLUDED IN THE QUANTITY SHOWN FOR END BENT 1 AND END BENT 2. APPROXIMATELY 595 TONS OF RIP RAP AND APPROXIMATELY 665 SQUARE YARDS OF GEOTEXTILE FOR DRAINAGE FOR END BENT 1. APPROXIMATELY 195 TONS OF RIP RAP AND APPROXIMATELY 220 SQUARE YARDS OF GEOTEXTILE FOR DRAINAGE FOR END BENT 2.

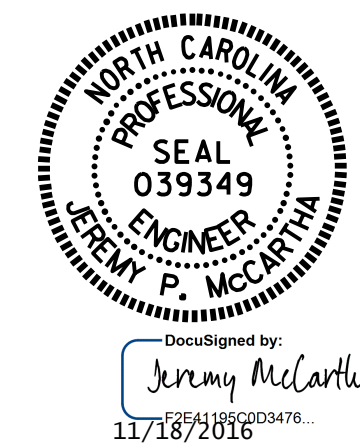


SECTION
BERM RIP RAPPED



SECTION C-C

PROJECT NO. B-5548
CABARRUS COUNTY
 STATION: 29+55.00 -L-



STATE OF NORTH CAROLINA
 DEPARTMENT OF TRANSPORTATION
 RALEIGH

RIP RAP DETAILS

DRAWN BY : N. D'AIUTO DATE : 3/23/16
 CHECKED BY : J.K. BOWLES DATE : 4/28/16

DOCUMENT NOT CONSIDERED
 FINAL UNLESS ALL
 SIGNATURES COMPLETED

REVISIONS						SHEET NO.	
NO.	BY:	DATE:	NO.	BY:	DATE:	S-29	
1			3			TOTAL SHEETS	
2			4			30	