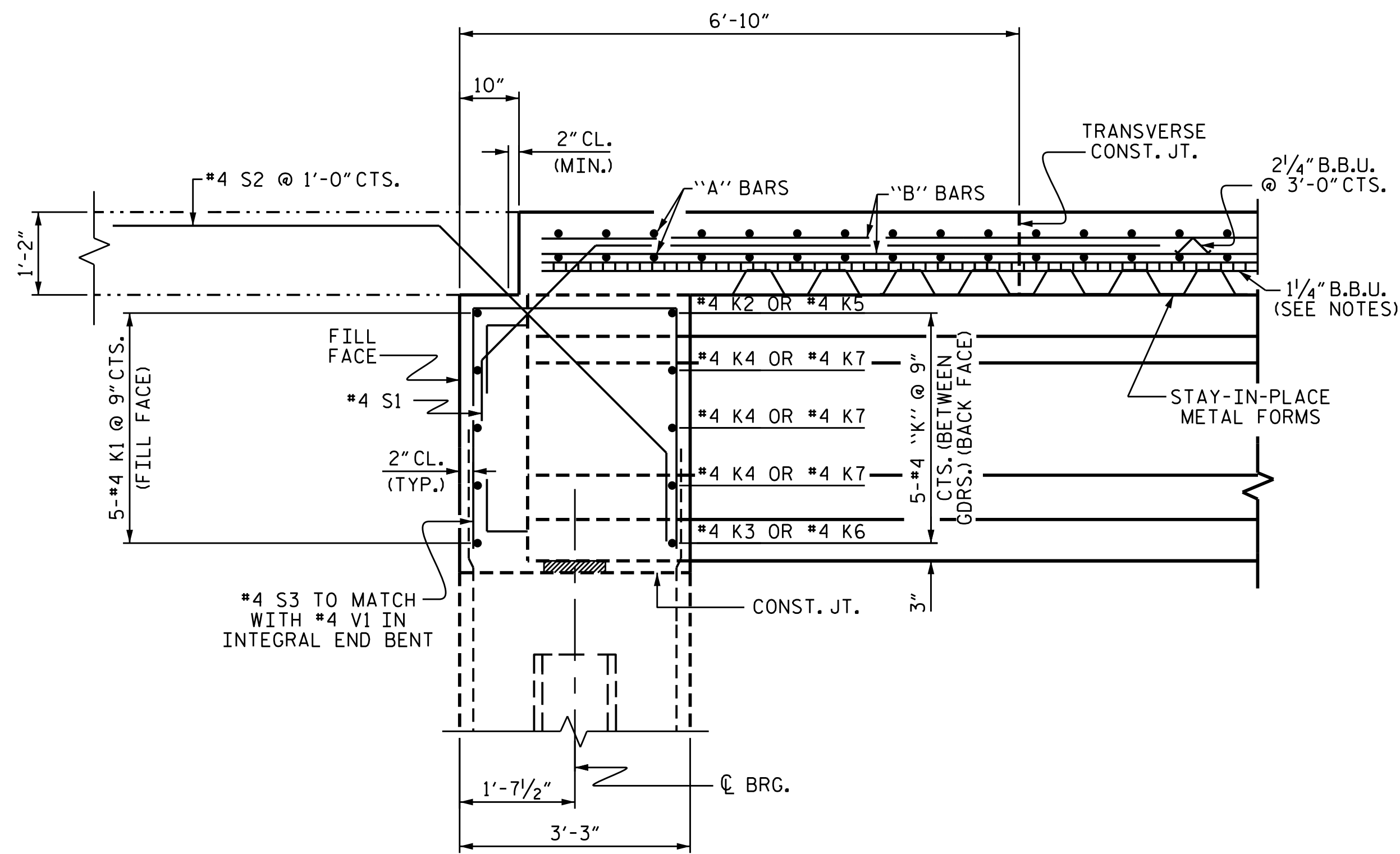
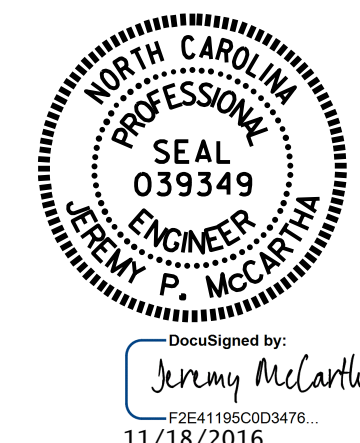


TYPICAL SECTION AT INTEGRAL END BENT



SECTION THROUGH INTEGRAL END BENT

PROJECT NO. B-5548
CABARRUS COUNTY
 STATION: 29+55.00 -L-
 SHEET 2 OF 2



STATE OF NORTH CAROLINA
 DEPARTMENT OF TRANSPORTATION
 RALEIGH
 SUPERSTRUCTURE
 TYPICAL SECTION

DRAWN BY : N.D. AIUTO DATE : 12/11/15
 CHECKED BY : J. P. MCCARTHA DATE : 6/6/16
 DESIGN ENGINEER OF RECORD: N.D. AIUTO DATE : 3/1/16

DOCUMENT NOT CONSIDERED
 FINAL UNLESS ALL
 SIGNATURES COMPLETED

REVISIONS						SHEET NO.	
NO.	BY:	DATE:	NO.	BY:	DATE:	S-7	
1			3			TOTAL SHEETS	
2			4			30	