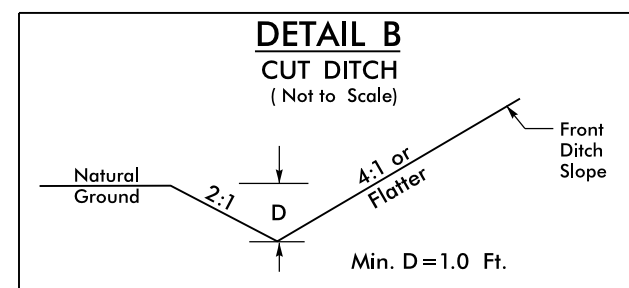
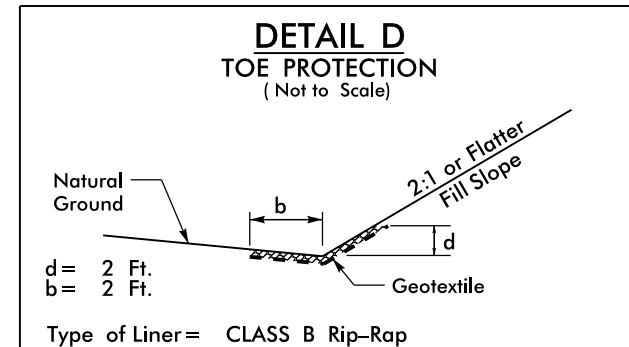


PROJECT REFERENCE NO. B-5548	SHEET NO. EC-8/CONST.5
RW SHEET NO.	
ROADWAY DESIGN ENGINEER	HYDRAULICS ENGINEER



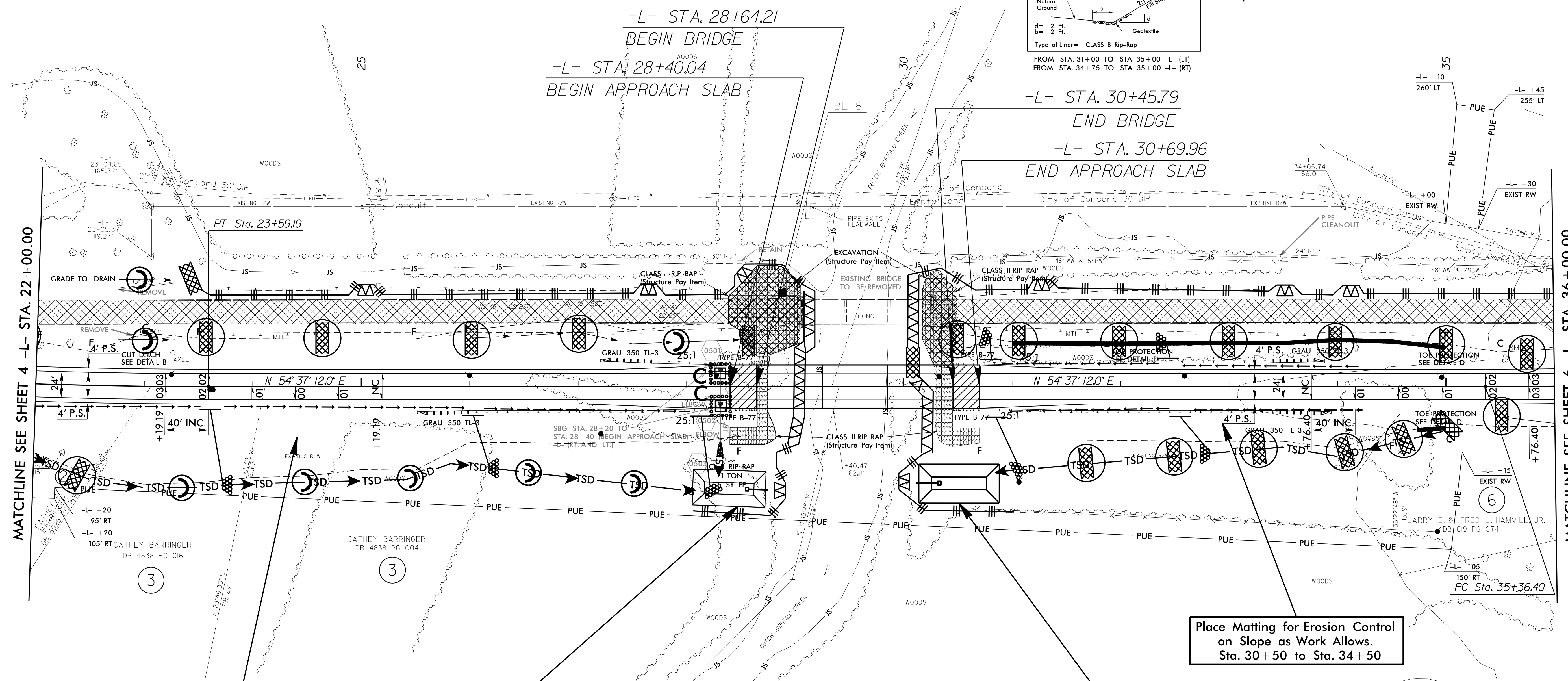
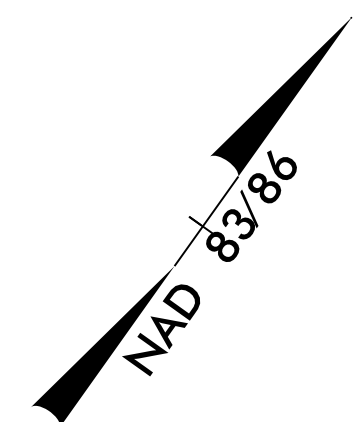
FROM STA. 22+75 TO STA. 23+25 -L- (LT)
 FROM STA. 24+00 TO STA. 28+50 -L- (LT)
 FROM STA. 35+50 TO STA. 37+50 -L- (RT)



FROM STA. 31+00 TO STA. 35+00 -L- (LT)
 FROM STA. 34+75 TO STA. 35+00 -L- (RT)

FRANCIS MEDLIN FAMILY FARMS I, LLC
 DB 8468 PG 219

ERNEST Y CHOW
 DB 1146 PG 096



MATCHLINE SEE SHEET 4 -L- STA. 22+00.00

MATCHLINE SEE SHEET 6 -L- STA. 36+00.00

Place Matting for Erosion Control
 on Slope as Work Allows.
 Sta. 22+00 to Sta. 28+00

67 x 33 x 3
 1.5 inch Skimmer
 with 1.25 inch
 Orifice Diameter
 8 ft. weir
 ID 5.1

Place Matting for Erosion Control
 on Slope as Work Allows.
 Sta. 30+50 to Sta. 34+50

74 x 36 x 3
 1.5 inch Skimmer
 with 1.5 inch
 Orifice Diameter
 10 ft. weir
 ID 5.2

NOTE:
 UTILIZE TEMPORARY SEDIMENT BASIN OR SPECIAL STILLING
 BASIN(S) AS STILLING BASIN WHERE APPLICABLE.

8/17/99
 26 SEP 2016 11:17
 C:\p1\proj\1\Design\B-5548_EC.psh_5.dgn
 CA
 269783