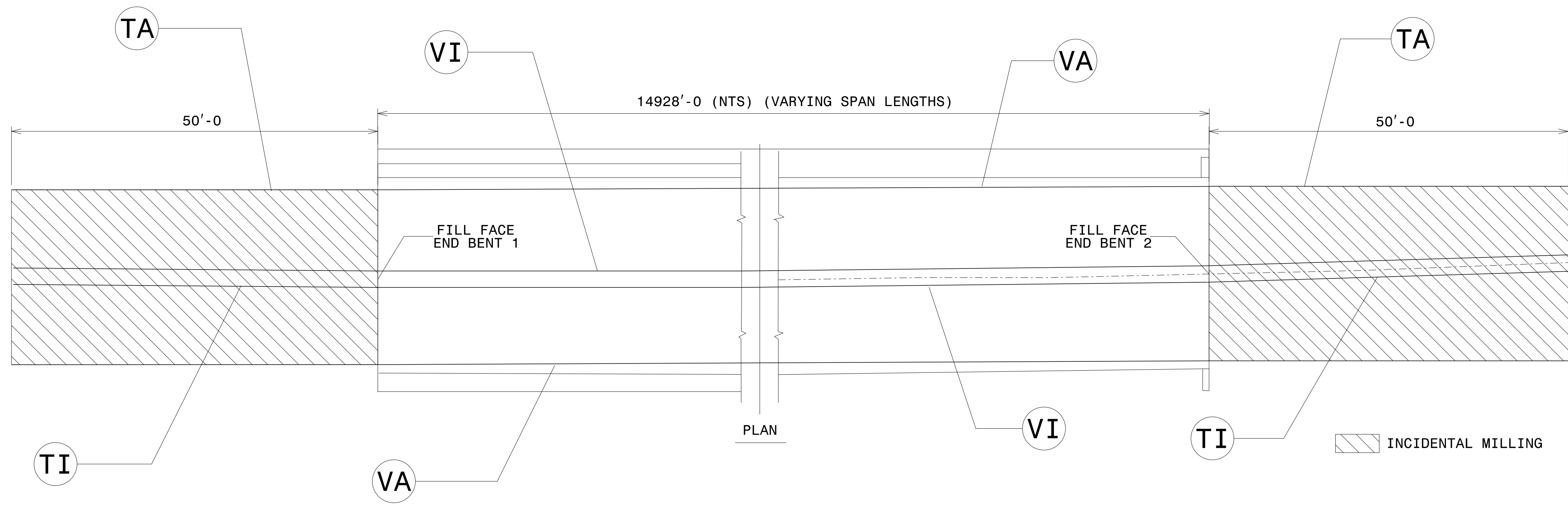


APPROVED: *Ayman Alqudwah*
F32AGSCAF988472...

DATE: 7/26/2016



**DOCUMENT NOT CONSIDERED FINAL
 UNLESS ALL SIGNATURES COMPLETED**



PAVEMENT MARKING SCHEDULE

SYMBOL	DESCRIPTION
TA	WHITE EDGELINE (4", 90 MIL)
TI	YELLOW DOUBLE CENTER (4", 120 MIL)
VA	WHITE EDGELINE (4")
VI	YELLOW DOUBLE CENTER (4")

PAVEMENT MARKING DETAIL

7/26/2016 N:\Special\581333\Tr\of\ic\Signing\CADD\B-5936_Sgn_PMP_Sheets.dgn User:walter.johnson