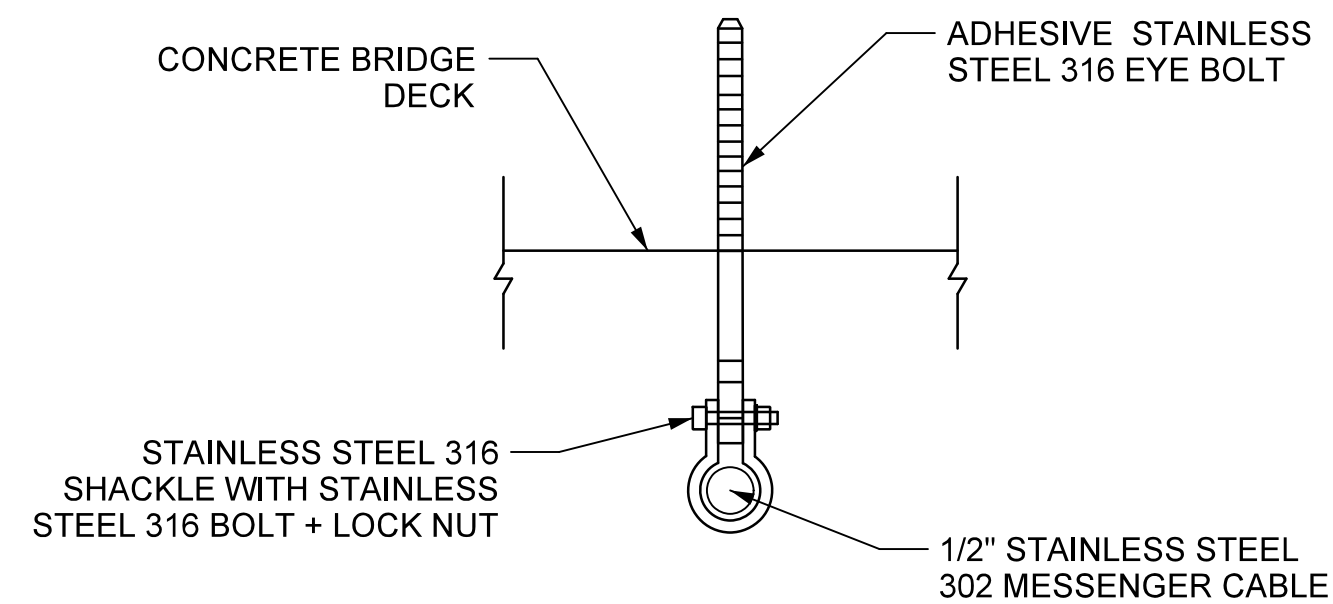


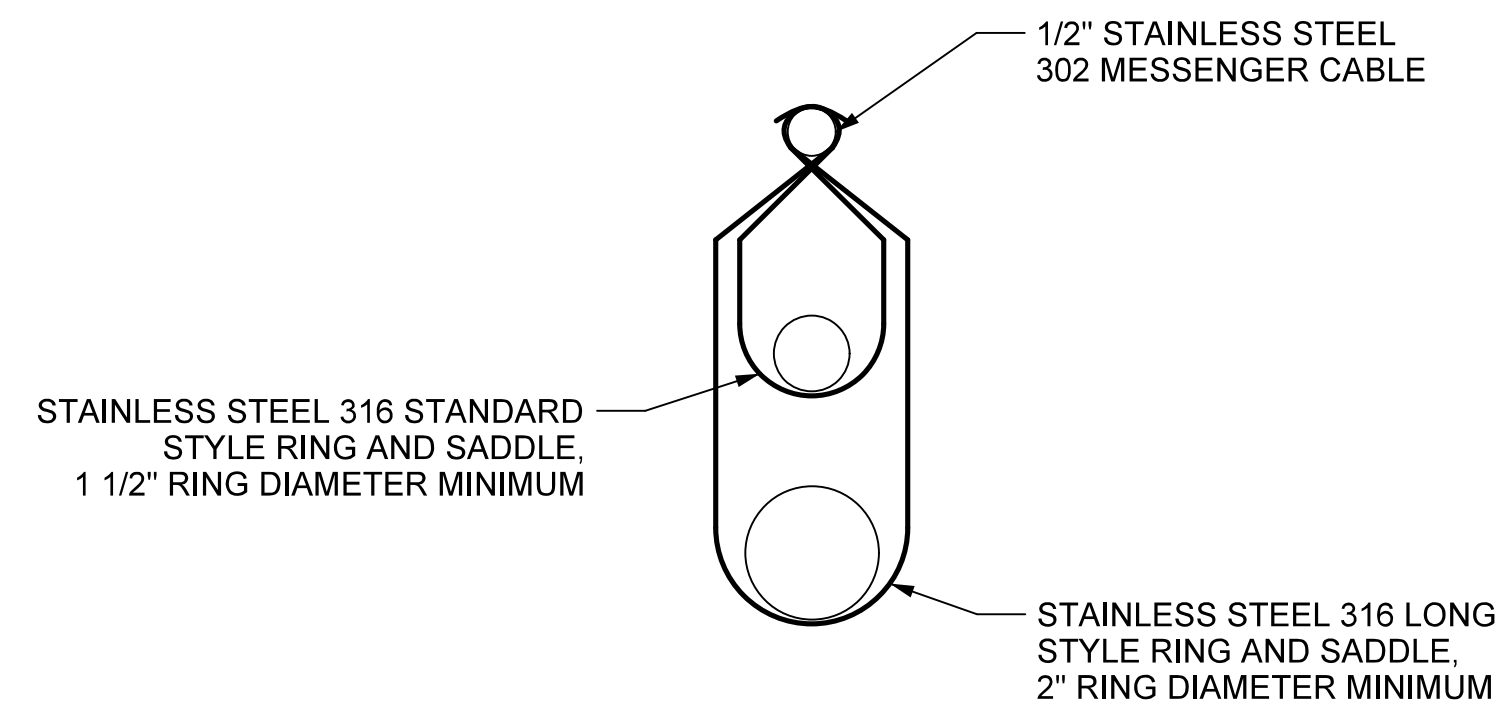
AERIAL AND MESSENGER CABLE SUPPORTS

SCALE: 6" - 1'-0"



SECTION A - MESSENGER CABLE SUPPORTS

SCALE: 6" - 1'-0"



SECTION B - AERIAL CABLE SADDLES

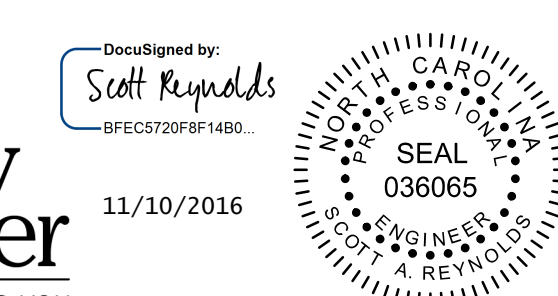
SCALE: 6" - 1'-0"

NOTES:

1. FINAL SIZE OF CABLE RINGS AND SADDLES TO BE COORDINATED WITH CABLE MANUFACTURER OUTER DIAMETER.
2. FURNISH AND INSTALL AERIAL CABLE SADDLE SUPPORTS PER MANUFACTURERS RECOMMENDATIONS.
3. SEE PROJECT SPECIAL PROVISIONS FOR ADDITIONAL DETAILS REGARDING THE MESSENGER CABLE INSTALLATION.
4. THE MESSENGER CABLE SHALL BE SUPPORTED EVERY 10 FEET. WHERE SUPPORTS CANNOT BE SPACED 10 FEET IN SPECIFIC LOCATIONS THE CONTRACTOR MAY INCREASE SPACING UPTO A MAXIMUM SPACING OF 25 FEET.

PROJECT NO. B-5936
TYRRELL COUNTY
 BRIDGE NO: 7

STATE OF NORTH CAROLINA
 DEPARTMENT OF TRANSPORTATION
 RALEIGH
**INCOMING SERVICE LAYOUT
 & AERIAL CABLE
 SUPPORT DETAILS**
**ALLIGATOR RIVER
 SWING SPAN**



DRAWN BY: _QIV DATE: 8/8/2016
 CHECKED BY: _MJT DATE: 8/8/2016
 DESIGN ENGINEER OF RECORD: _CHS DATE: 8/8/2016

| | | | | | | |
|------------|------------|---|-----------|----|------|--------------|
| DWG NUMBER | TOTAL DWGS | DOCUMENT NOT CONSIDERED FINAL UNLESS ALL SIGNATURES COMPLETED | REVISIONS | | | SHEET NO. |
| 55 | 90 | | NO | BY | DATE | E-39 |
| | | | 1 | | | TOTAL SHEETS |
| | | | 2 | | | 51 |